



US00D604151S

(12) **United States Design Patent**
Kollman et al.

(10) **Patent No.:** **US D604,151 S**

(45) **Date of Patent:** **** Nov. 17, 2009**

(54) **UNIVERSAL TRACK CURTAIN ROD**

D456,690 S	5/2002	Lai	
D473,663 S *	4/2003	Chou D25/122
D506,381 S	6/2005	Lu	
D567,635 S	4/2008	Nankervis	

(75) Inventors: **Michael Kollman**, Fitchburg, WI (US);
Nicholas J. Schultz, Columbus, WI (US)

(73) Assignee: **Lumino, Inc.**, Madison, WI (US)

(**) Term: **14 Years**

(21) Appl. No.: **29/327,589**

(22) Filed: **Nov. 10, 2008**

(51) **LOC (9) Cl.** **08-05**

(52) **U.S. Cl.** **D8/376; D8/377**

(58) **Field of Classification Search** D8/376-377;
D25/119, 122; 160/330-331

See application file for complete search history.

(56) **References Cited**

U.S. PATENT DOCUMENTS

668,923 A	2/1901	Muehlebach	
D324,645 S	3/1992	Margo et al.	
D337,257 S *	7/1993	Danieli D8/376
D355,353 S	2/1995	Pozzi	
5,642,595 A	7/1997	Daniels et al.	
D404,637 S	1/1999	Nagato	
D407,296 S	3/1999	Nagato	
D412,142 S *	7/1999	Dickie D12/133
D415,574 S *	10/1999	Shrira D25/61
D428,801 S	8/2000	Barkan	
6,167,939 B1 *	1/2001	Barone 160/330
D450,234 S	11/2001	Bosgoed	

OTHER PUBLICATIONS

Graber Drapery Hardware Price List, Section 1, Jul. 15, 2000.

* cited by examiner

Primary Examiner—Holly H Baynham

Assistant Examiner—Barbara B Lohr

(74) *Attorney, Agent, or Firm*—Buchanan Ingersoll & Rooney PC

(57) **CLAIM**

The ornamental design for a universal track curtain rod, as shown and described.

DESCRIPTION

FIG. 1 is a perspective view of our universal track curtain rod;

FIG. 2 is a front view thereof, the rear view being a mirror image thereof;

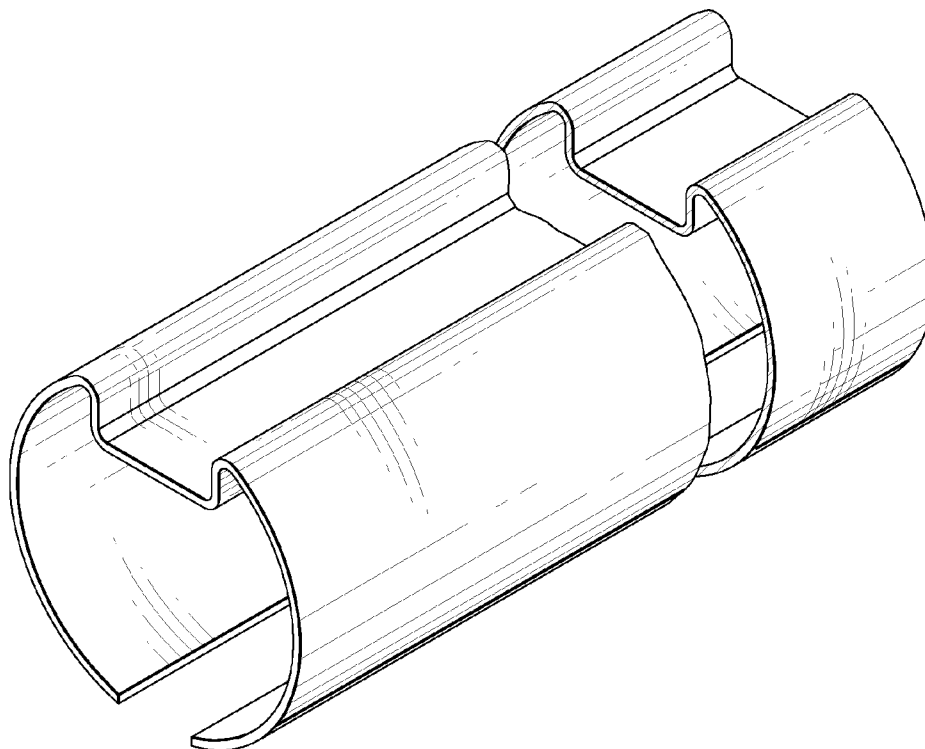
FIG. 3 is an end view thereof, both ends being identical;

FIG. 4 is a bottom view thereof; and,

FIG. 5 is a top view thereof.

The claim is shown broken away to indicate indeterminate length.

1 Claim, 2 Drawing Sheets



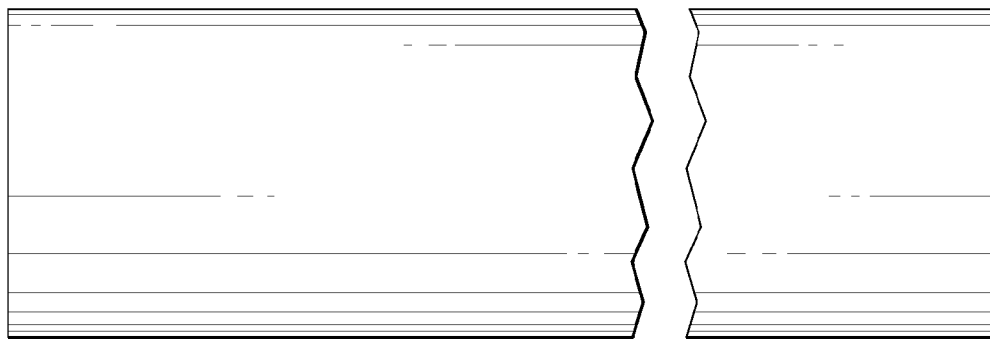
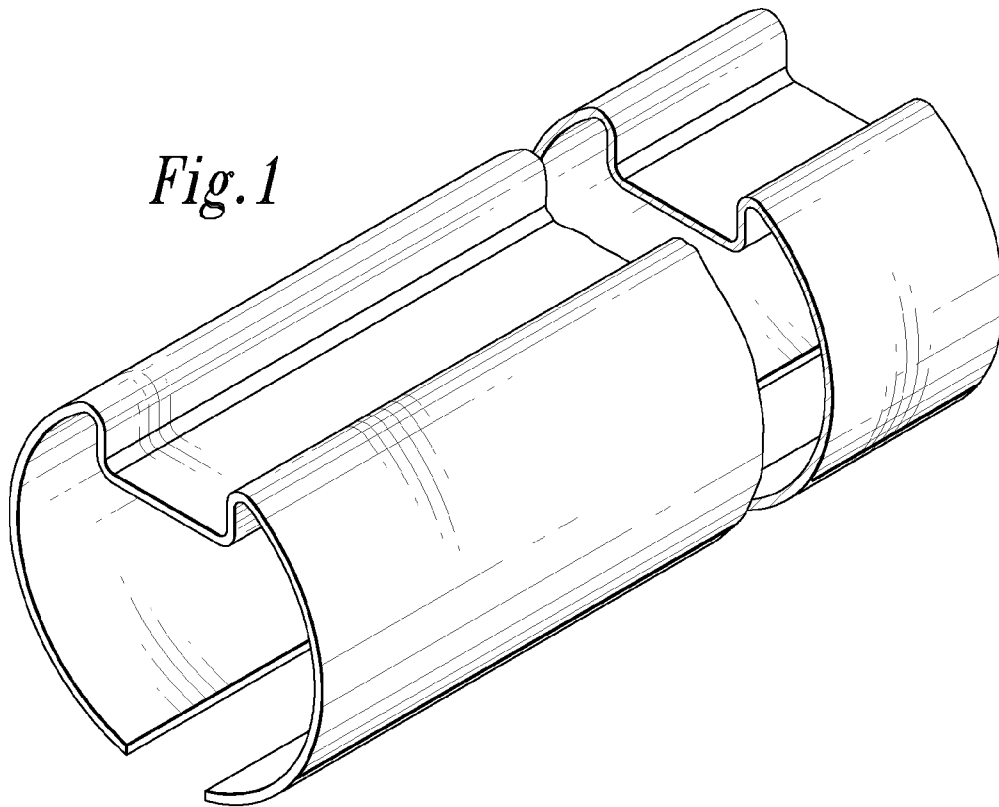


Fig. 2

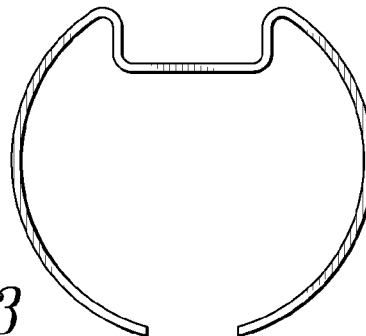


Fig. 3

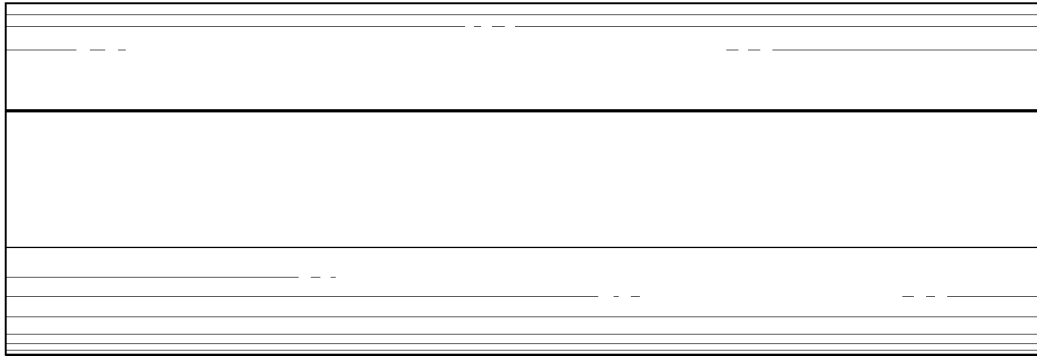


Fig. 4

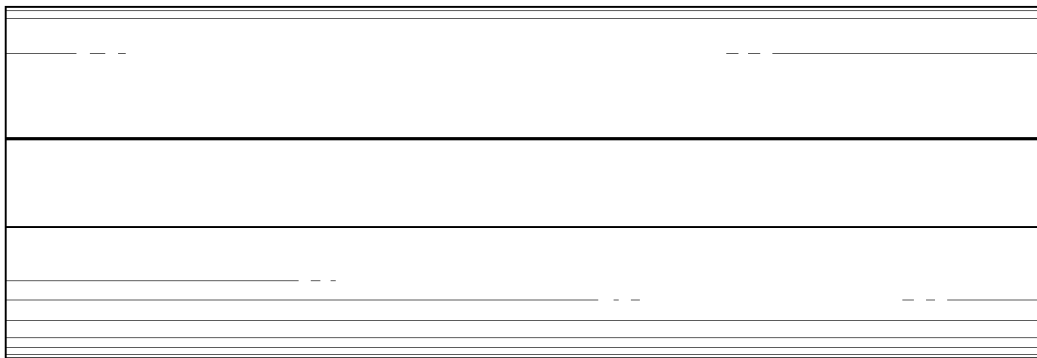


Fig. 5