



US00D729968S

(12) **United States Design Patent**  
Szalontai et al.

(10) **Patent No.:** US D729,968 S

(45) **Date of Patent:** \*\* May 19, 2015

(54) **OUTDOOR LIGHTING FIXTURE**

(71) Applicant: **HEI Technology International GmbH**,  
Vienna (AT)

(72) Inventors: **Tibor Szalontai**, Zalaegerszeg (HU);  
**Dieter Hornbacher**, Vienna (AT)

(73) Assignee: **HEI Technology International GmbH**,  
Vienna (AT)

(\*\*) Term: **14 Years**

(21) Appl. No.: **29/476,997**

(22) Filed: **Dec. 18, 2013**

(30) **Foreign Application Priority Data**

Jun. 19, 2013 (EM) ..... 002258194-0007

Jun. 19, 2013 (EM) ..... 002258194-0008

(51) **LOC (10) Cl.** ..... **26-05**

(52) **U.S. Cl.**

USPC ..... **D26/71**

(58) **Field of Classification Search**

CPC ..... F21V 15/01; F21V 17/107; F21V 19/02;  
F21S 8/033; F21S 8/043; F21S 8/085; F21S  
8/086; F21S 8/088; F21W 2131/103; F21W  
2131/107

USPC ..... D26/69, 70, 71, 72, 85, 92, 118;  
362/431, 432

See application file for complete search history.

(56) **References Cited**

U.S. PATENT DOCUMENTS

D201,764 S \* 7/1965 Mox ..... D26/71  
D209,081 S \* 10/1967 Netland ..... D26/71  
D228,667 S \* 10/1973 Anderson ..... D26/71  
5,055,985 A \* 10/1991 Fabbri ..... 362/221  
D598,160 S \* 8/2009 Boyer et al. .... D26/138  
D598,161 S \* 8/2009 Boyer et al. .... D26/138  
D645,190 S \* 9/2011 Van Klinken et al. .... D26/71

D691,759 S \* 10/2013 Boyer et al. .... D26/71  
D700,987 S \* 3/2014 Nepple et al. .... D26/71  
2008/0002399 A1 \* 1/2008 Villard et al. .... 362/184  
2008/0137327 A1 \* 6/2008 Hodulik ..... 362/183  
2008/0285265 A1 \* 11/2008 Boissevain ..... 362/218  
2009/0103288 A1 \* 4/2009 Boyer et al. .... 362/153.1  
2010/0165615 A1 \* 7/2010 Aarts et al. .... 362/227  
2011/0060701 A1 \* 3/2011 Verfueth et al. .... 705/500  
2013/0148360 A1 \* 6/2013 Jeon et al. .... 362/294  
2014/0254149 A1 \* 9/2014 Wang et al. .... 362/235  
2014/0254156 A1 \* 9/2014 Hsu et al. .... 362/249.1

\* cited by examiner

Primary Examiner — Clare E Heflin

(74) Attorney, Agent, or Firm — Christie, Parker & Hale,  
LLP

(57) **CLAIM**

The ornamental design for outdoor lighting fixture, as shown  
and described.

**DESCRIPTION**

FIG. 1 is a side perspective view of an outdoor lighting  
fixture;

FIG. 2 is a top view thereof;

FIG. 3 is a right side view (the left side view being a mirror  
image thereof) thereof;

FIG. 4 is a bottom view thereof;

FIG. 5 is a front view thereof;

FIG. 6 is a rear view thereof;

FIG. 7 is a side perspective view of another embodiment of an  
outdoor lighting fixture;

FIG. 8 is a top view thereof;

FIG. 9 is a right side view (the left side view being a mirror  
image thereof) thereof;

FIG. 10 is a bottom view thereof;

FIG. 11 is a front view thereof; and,

FIG. 12 is a rear view thereof.

The broken lines in the drawings are for illustrative purposes  
only, and form no part of the claimed design.

**1 Claim, 5 Drawing Sheets**

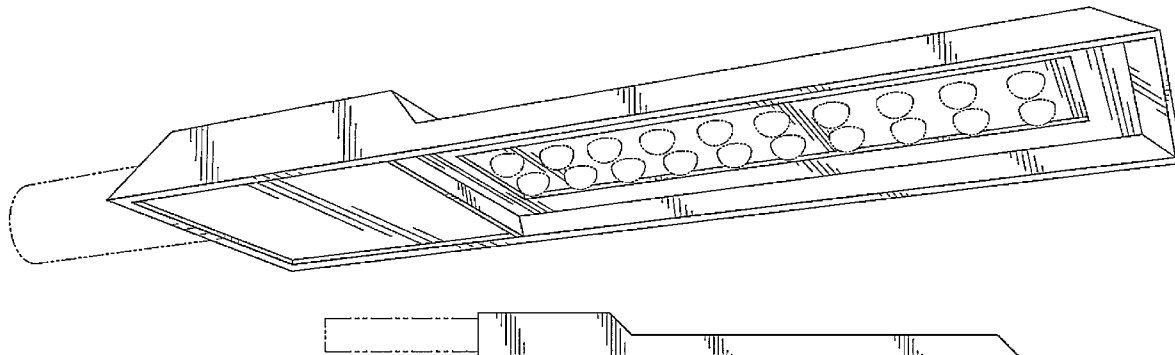


FIG. 1

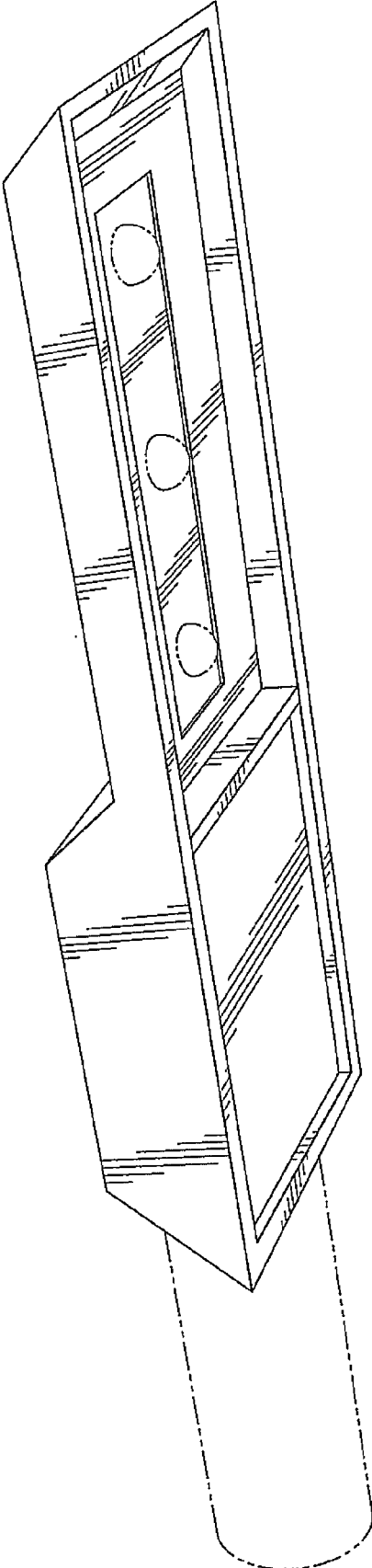


FIG. 2

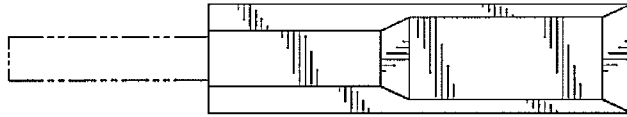


FIG. 6



FIG. 3

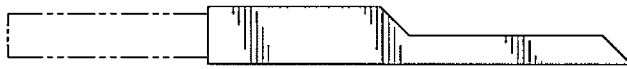


FIG. 5

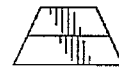


FIG. 4



FIG. 7

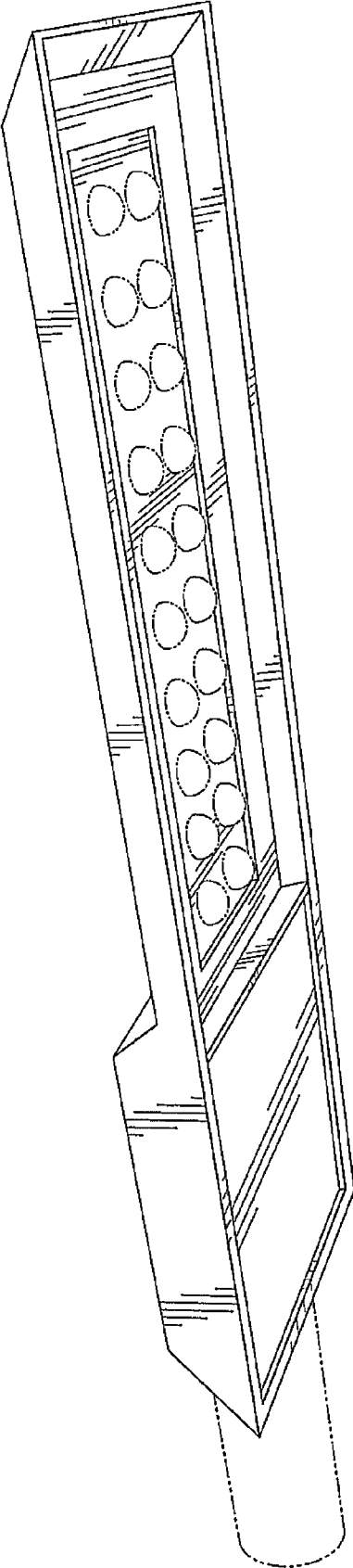


FIG. 8

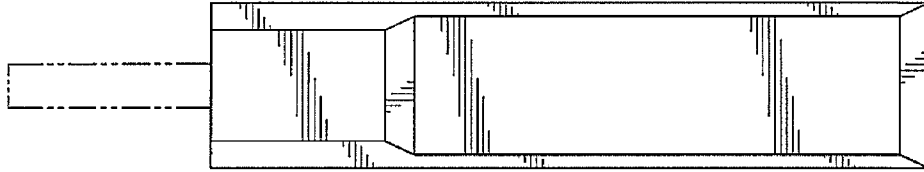
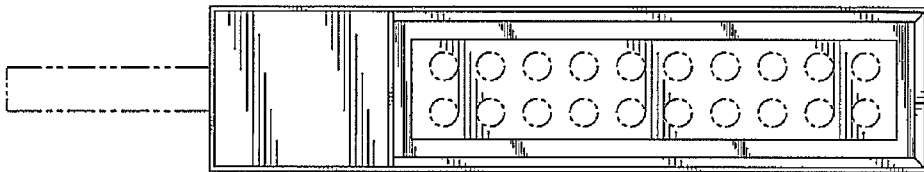


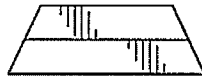
FIG. 9



FIG. 10



*FIG. 11*



*FIG. 12*

