



(12) **United States Design Patent**  
**Kim**

(10) **Patent No.:** **US D855,606 S**  
(45) **Date of Patent:** **\*\* \*Aug. 6, 2019**

(54) **SUPPORT LEG FOR ELECTRONIC DEVICE CASE OR ELECTRONIC DEVICE**

(71) Applicant: **SPIGEN KOREA CO., LTD.**, Seoul (KR)

(72) Inventor: **Dae-Young Kim**, Seoul (KR)

(73) Assignee: **SPIGEN KOREA CO., LTD.**, Seoul (KR)

(\* ) Notice: This patent is subject to a terminal disclaimer.

(\*\*) Term: **15 Years**

(21) Appl. No.: **29/570,708**

(22) Filed: **Jul. 11, 2016**

**Related U.S. Application Data**

(63) Continuation of application No. 29/570,575, filed on Jul. 8, 2016, and a continuation-in-part of application (Continued)

(51) **LOC (12) Cl.** ..... **14-03**

(52) **U.S. Cl.**  
USPC ..... **D14/250**

(58) **Field of Classification Search**  
USPC ..... D3/201, 218, 226, 227, 247, 249, 250, D3/269, 303; D13/103, 107, 108, 119; (Continued)

(56) **References Cited**

**U.S. PATENT DOCUMENTS**

2,425,945 A \* 8/1947 Leach ..... A61B 13/00 426/134  
2,857,908 A \* 10/1958 Cornfield ..... A61B 13/00 426/134

(Continued)

**FOREIGN PATENT DOCUMENTS**

KR 10-2012-0094878 8/2012

**OTHER PUBLICATIONS**

"iPhone 6S Plus Case, OBLIQ [Naked Shield][Clear][Metal Kickstand] Thin Slim Fit Crystal Clear Case + TPU Bumper Armor Protection Hybrid case for Apple iPhone 6S Plus (2015) & iPhone 6 Plus(2014)", [https://www.amazon.com/iPhoneShieldKickstandCrystalProtection/dp/B014QDKKMY/ref=sr\\_1\\_2?ie=UTF8&qid=1473199610&sr=82&keywords=obliq+iph...](https://www.amazon.com/iPhoneShieldKickstandCrystalProtection/dp/B014QDKKMY/ref=sr_1_2?ie=UTF8&qid=1473199610&sr=82&keywords=obliq+iph...), Downloaded Sep. 7, 2016, 9 Pages.

(Continued)

*Primary Examiner* — Susan E Krakower  
*Assistant Examiner* — L. A. Grabenstetter  
(74) *Attorney, Agent, or Firm* — Heedong Chae; Lucem, PC

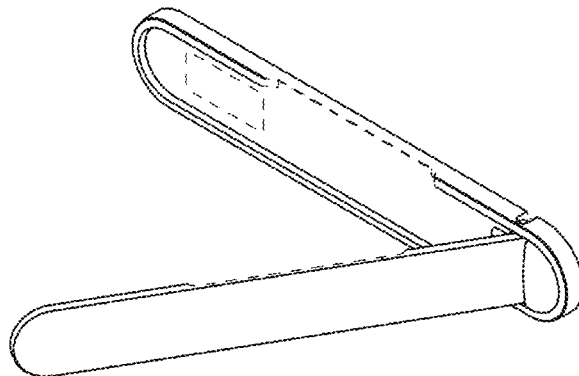
(57) **CLAIM**

The ornamental design for a support leg for electronic device case or electronic device, as shown and described.

**DESCRIPTION**

FIG. 1 is a perspective view of a support leg for electronic device case or electronic device in an open position showing my new design;  
FIG. 2 is another perspective view thereof;  
FIG. 3 is a front view thereof;  
FIG. 4 is a rear view thereof;  
FIG. 5 is a left side view thereof;  
FIG. 6 is a right side view thereof;  
FIG. 7 is a top plan view thereof;  
FIG. 8 is a bottom plan view thereof;  
FIG. 9 is still another perspective view thereof;  
FIG. 10 is a perspective view of the support leg for electronic device case or electronic device in a closed position;  
FIG. 11 is a perspective view of the support leg for electronic device case or electronic device in an open position;  
FIG. 12 is a perspective view of the support leg for electronic device case or electronic device in an open position, shown in an environment of use; and,  
FIG. 13 is a perspective view of the support leg for electronic device case or electronic device in a closed position, shown in an environment of use.

(Continued)



The broken lines depict portions of the support leg and environmental subject matter which form no part of the claimed design.

### 1 Claim, 13 Drawing Sheets

#### Related U.S. Application Data

No. 29/561,293, filed on Apr. 14, 2016, and a continuation-in-part of application No. 29/561,296, filed on Apr. 14, 2016.

#### (58) Field of Classification Search

USPC ..... D14/137, 138 R, 138 AA, 138 C, 138 G,  
D14/203.3–203.7, 217, 238.1, 247, 248,  
D14/250–253, 440, 447  
CPC H04B 1/3888; H04M 1/0283; H04M 1/0202;  
A45C 1/06; A45C 2011/002; A45C 11/00;  
A45F 2005/028; A45F 2200/0525  
See application file for complete search history.

#### (56) References Cited

##### U.S. PATENT DOCUMENTS

D334,828	S *	4/1993	Kiyokane	.....	D1/102
7,301,759	B2	11/2007	Hsiung		
D559,230	S	1/2008	Griffin		
D583,572	S	12/2008	Zhai		
D590,386	S	4/2009	Leith		
D644,647	S *	9/2011	Sykes	.....	D14/447
D646,267	S *	10/2011	Salzedo	.....	D14/253
D663,263	S	7/2012	Gupta		
D663,294	S	7/2012	Buxton		
8,243,428	B2	8/2012	Fu		
D669,482	S *	10/2012	Hu	.....	D14/447
D679,271	S	4/2013	Liu		
8,514,568	B2 *	8/2013	Qiao	.....	F16M 11/10 248/917
D690,305	S	9/2013	Wen		
D692,899	S *	11/2013	Bremenkamp	.....	D14/447
D706,254	S	6/2014	Chang		
D706,516	S *	6/2014	Caglia	.....	D1/105
8,897,033	B2 *	11/2014	Slipy	.....	H04M 1/0202 248/70
8,960,630	B2 *	2/2015	Fu	.....	F16M 11/10 248/371
D763,239	S *	8/2016	Chan	.....	D14/250
9,723,735	B1 *	8/2017	Kim	.....	F16M 13/00
2010/0171671	A1 *	7/2010	Park	.....	F16M 11/10 343/720
2011/0164358	A1	7/2011	Duan		
2013/0077211	A1	3/2013	Wang		

##### OTHER PUBLICATIONS

“Droid X Car Dock,” <http://phandroid.com/2010/06/23/droidxcardockaccessoriesrevealed/>, Downloaded Oct. 19, 2016, 4Page.  
“Body Glove Snap-On Case for the HTC Thunderbolt Review,” <http://www.androidcentral.com/bodyglovesnapcasehtcthunderboltreview>, Downloaded Oct. 19, 2016, 10Page.  
“Case for HTC Thunderbolt with Extended Battery: Review of Seidio Active Extended Case,” <http://webpierrat.com/2011/06/16/cashtcthunderboltextendedbattery/>, Downloaded Oct. 19, 2016, 5Page.

“Case for HTC Thunderbolt with Extended Battery: Review of Seidio Active Extended Case,” <http://webpierrat.com/2011/06/16/cashtcthunderboltextendedbattery/>, Downloaded Oct. 19, 2016, 5Page.

“EVO30 Case with Kickstand,” <http://forums.androidcentral.com/htcevo3d/71171evo3dcasekickstand.html>, Downloaded Oct. 19, 2016, 8Page.

“HTC Desire HD Hard Case with Kickstand,” <http://www.mobilefun.co.ukhtcdesirehdhardcasewithkickstandhck550p27766.htm>, Downloaded Oct. 9, 2016, 3Page.

“HTC EVO 3D Seidio SURFACE with Kickstand Case Review,” <http://htclopedia.com/HTCEvo3DcasereviewSeidioSURFACEwithKickstand/reviews/htcevo3daccessories.html>, Downloaded Oct. 19, 2016, 11Page.

“HTC EVO 4G Case Review: HTC Hard Shell Case,” <http://androidcentral.com/htcevo4gcasereviewhtchardshellcase>, Downloaded Oct. 19, 2016, 13Page.

“HTC EVO 4G Case Review: Otterbox Defender,” <http://www.androidcentral.com/htcevo4gcasereviewotterboxdefender>, Downloaded Oct. 19, 2016, 16Page.

“HTC EVO 4G Case Review: Trident cyclops Series,” <http://www.androidcentral.com/htcevo4gcasereviewtridentcyclopsseries>, Downloaded Oct. 19, 2016, 5Page.

“HTC HD2 Extended Battery,” <http://www.itechnews.net/2010/01/28/htchd2extendedbattery/>, Downloaded May 3, 2016, 2Page.

“iPod Touch 4 Case With Kickstand,” <http://www.avenueapplemac.com/ipodtouch4casewithkickstand/>, Downloaded Oct. 19, 2016, 6Page.

“iPod Touch 4G Case With Chrome Kickstand,” <http://www.avenueapplemac.com/ipodtouch4gcasewithchromekickstand/>, Downloaded Oct. 19, 2016, 5Page.

“LG CCH-120 Kick Stand Hard Case—LG Optimus 2X,” <http://www.mobilefun.co.uk/lgcch120kickstandhardcaselgoptimus2xp27952.htm>, Downloaded Oct. 19, 2016, 3Page.

“Video Review: Macally Kickstand for the Iphone 4,” <http://appaddict.net/2010/07/03/videoreviewmacallykickstandfortheiphone4/>, Downloaded Oct. 19, 2016, 4Page.

“Mugen Power5400MAH Extended XL Battery Back Door Samsung Galaxy Note White ATT4,” <http://www.ebay.com/MUGENPOWE R5400mAhEXTENDEDXLBATTERYBACKDOORSAMSUNG GALAXYNOTEWHITEATT/2709634663055>, Downloaded May 3, 2016, 3Page.

“Mybat Natural Gray/Black Tuff Hybrid Phone Protector Cover (with Stand),” <https://www.2valor.com/product/productinfo.aspx?pid=73296>, Downloaded Oct. 14, 2016, 2Page.

“NXE Recline Case for iPhone 4,” <http://thegadgeteer.com/2011/03/14/nxereclinecaseforiphone4/>, Downloaded Oct. 19, 2016, 6Page.

“NXE Recline iPhone 4 Case with Practical Stand,” <http://gadgets.in.com/nxereclineiphone4casewithpracticalstand.htm>, Downloaded Oct. 19, 2016, 5Page.

“OtterBox Defender Case for HTC Thunderbolt Smartphone Review,” [http://legitreviews.com/otterboxdefendercaseforhtcthunderboltsmartphonereview\\_1648/4](http://legitreviews.com/otterboxdefendercaseforhtcthunderboltsmartphonereview_1648/4), Downloaded Oct. 19, 2016, 5Page.

“Quick Look HTC Kickstand Case for HTC Inspire 4G& HTC Desire HD,” <http://htclopedia.com/news/htcdesirehdinspire4gkickstandcase.html>, Downloaded Oct. 19, 2016, 3Page.

“Seidio Active Case(with metal kickstand) for HTC One X,” <http://www.youtube.com/watch?v=W5EGPgGw7Hw>, Downloaded Oct. 14, 2016, 3Page.

“Seidio Surface Case with Kickstand for HTC EVO 3D-1 Pack-Case-Retail Packaging—Black,” <https://www.amazon.com/SeidioSURFACECaseKickstandHTC/db/B005EEO4OA>, Downloaded Oct. 19, 2016, 6Page.

“Trident Case kracken,” <http://www.tekgoblin.com/2011/09/04/tridentcasekrackeniireviewforiphone4/>, Downloaded Oct. 19, 2016, 5Page.

“Trident Case kracken,” <http://www.tekgoblin.com/2011/09/04/tridentcasekrackeniireviewforiphone4/>, Downloaded Oct. 19, 2016, 5Page.

“Trident Case kracken,” <http://www.tekgoblin.com/2011/09/04/tridentcasekrackeniireviewforiphone4/>, Downloaded Oct. 19, 2016, 5Page.

“Trident Case kracken,” <http://www.tekgoblin.com/2011/09/04/tridentcasekrackeniireviewforiphone4/>, Downloaded Oct. 19, 2016, 5Page.

\* cited by examiner

FIG. 1

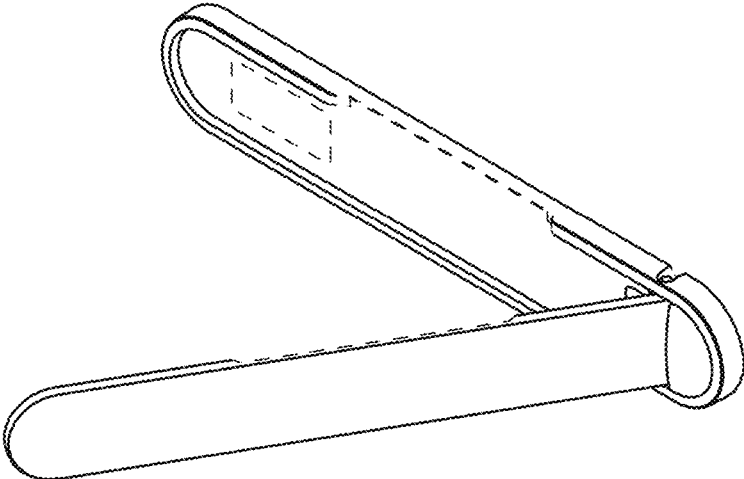


FIG. 2

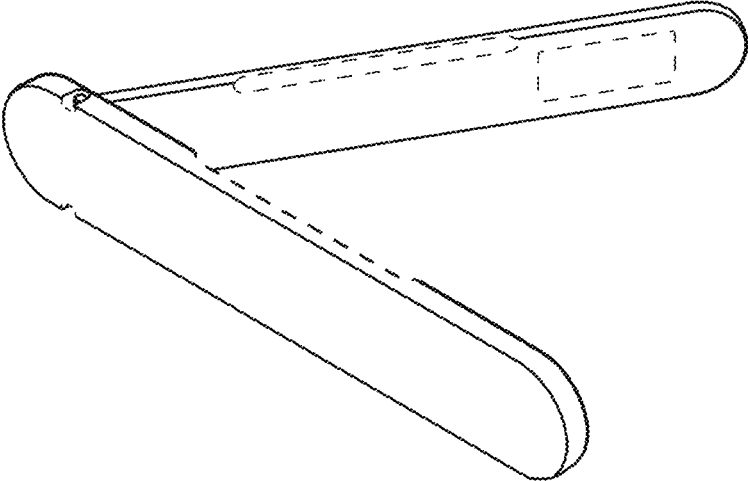


FIG. 3

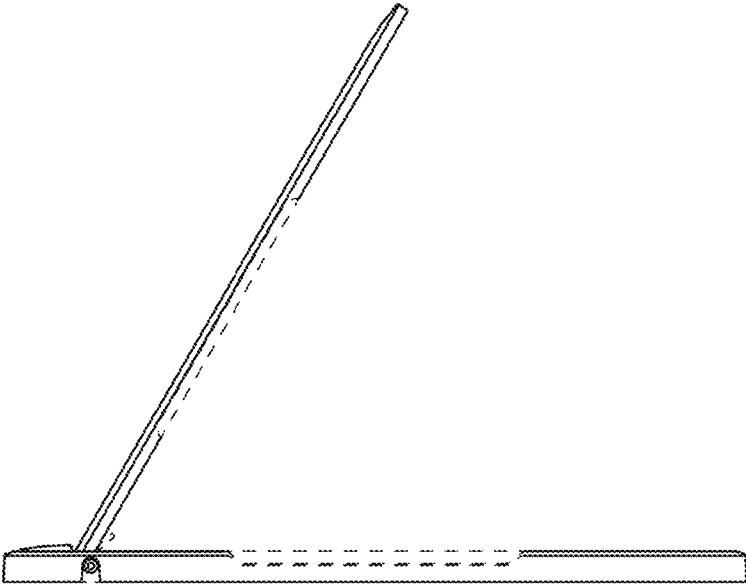


FIG. 4

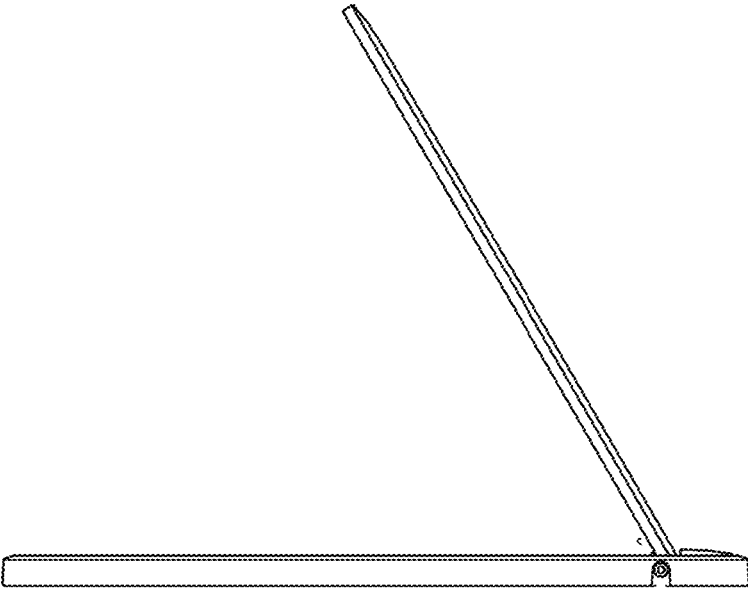


FIG. 5



FIG. 6

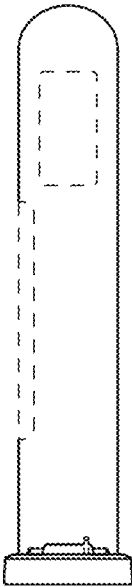


FIG. 7

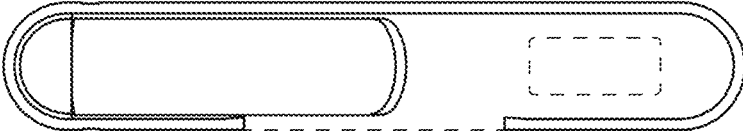


FIG. 8



FIG. 9

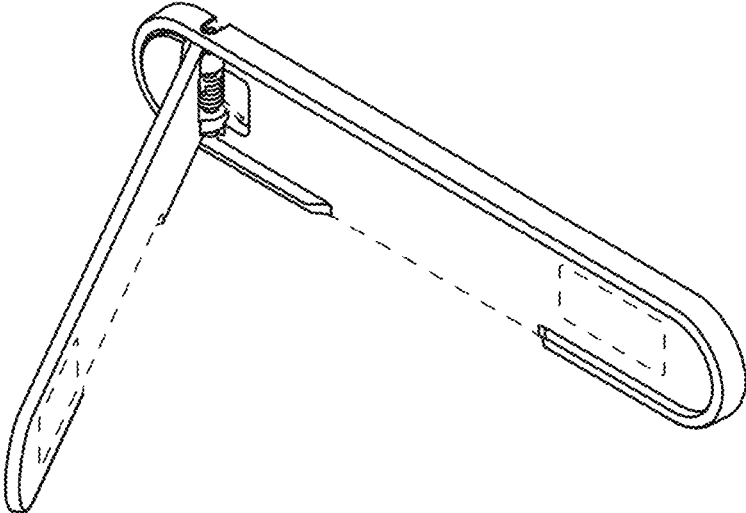


FIG. 10

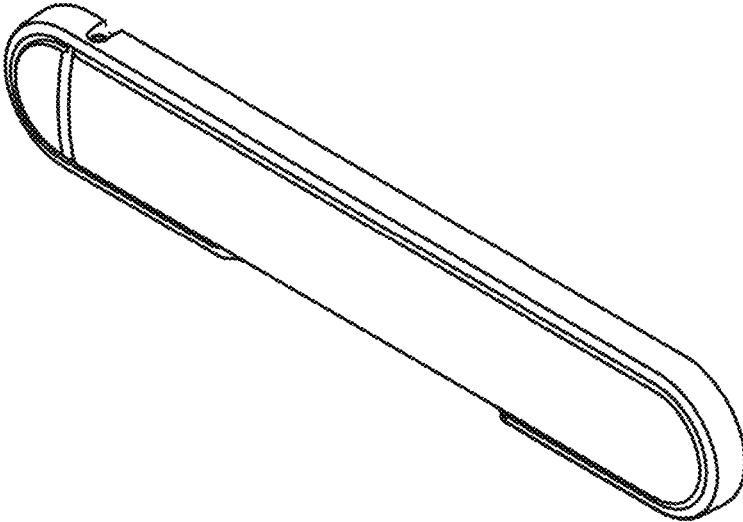


FIG. 11

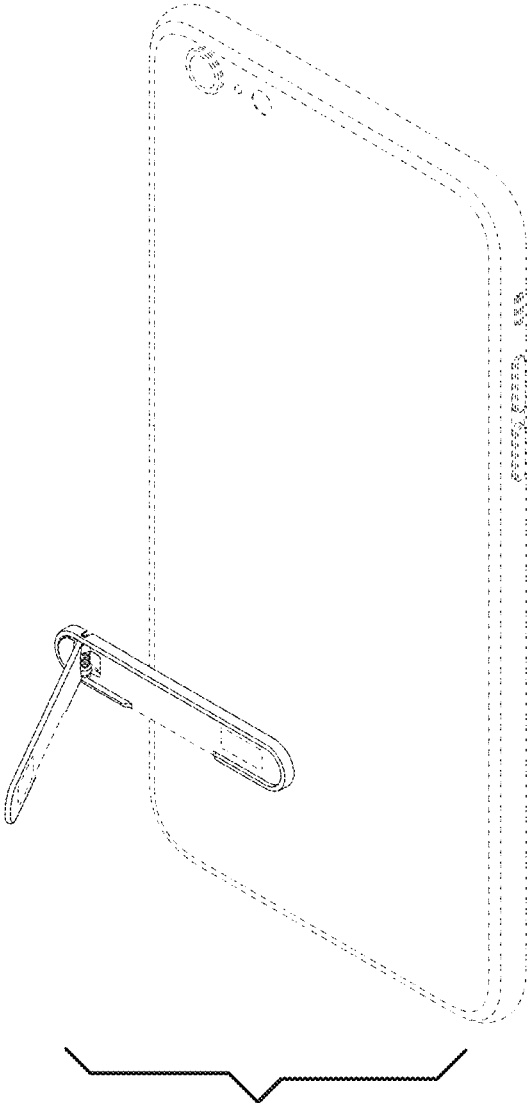


FIG. 12

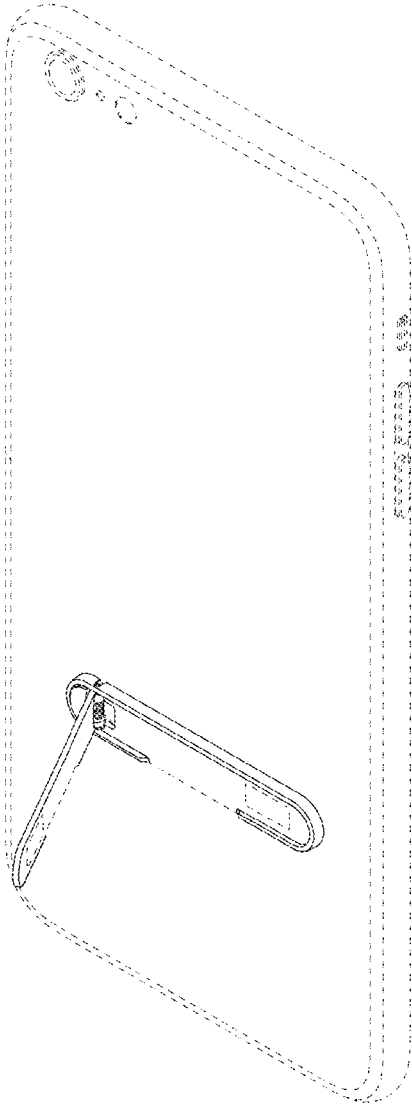


FIG. 13

