



US00D693191S

(12) **United States Design Patent**  
**Cotter**

(10) **Patent No.:** **US D693,191 S**

(45) **Date of Patent:** **\*\* Nov. 12, 2013**

(54) **PINEAPPLE CORER**

(71) Applicant: **Progressive International Corporation,**  
Kent, WA (US)

(72) Inventor: **Jennifer K. Cotter,** Seattle, WA (US)

(73) Assignee: **Progressive International Corporation,**  
Kent, WA (US)

(\*\*) Term: **14 Years**

(21) Appl. No.: **29/444,443**

(22) Filed: **Jan. 30, 2013**

(51) **LOC (9) Cl.** ..... **07-04**

(52) **U.S. Cl.**  
USPC ..... **D7/693**

(58) **Field of Classification Search**  
USPC ..... D7/693, 672-676; 30/128, 130, 114,  
30/115, 113.1-113.3, 123.5-123.7,  
30/300-302; 99/537-545, 584

See application file for complete search history.

(56) **References Cited**

U.S. PATENT DOCUMENTS

3,540,503	A *	11/1970	McNair	.....	30/301
4,246,700	A *	1/1981	Coulon et al.	.....	30/300
4,690,047	A *	9/1987	Balzano	.....	99/542
5,157,836	A *	10/1992	Aulbers et al.	.....	30/113.1
D544,319	S	6/2007	Peterson		
D568,120	S	5/2008	Peterson		

\* cited by examiner

*Primary Examiner* — Terry Wallace

(74) *Attorney, Agent, or Firm* — Lowe Graham Jones PLLC

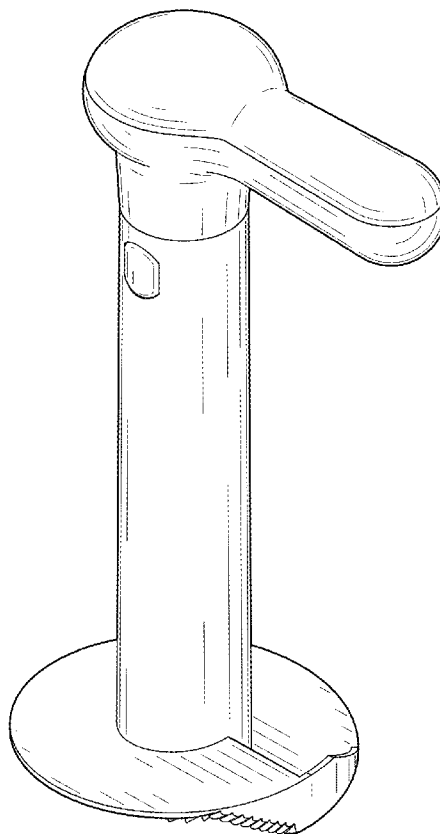
(57) **CLAIM**

I claim the ornamental design for a pineapple corer, as shown and described.

**DESCRIPTION**

FIG. 1 is a top perspective view of a pineapple corer, showing my new design.  
FIG. 2 is a left side view of the pineapple corer.  
FIG. 3 is a front view of the pineapple corer.  
FIG. 4 is a right side view of the pineapple corer.  
FIG. 5 is a back view of the pineapple corer.  
FIG. 6 is a top view of the pineapple corer; and,  
FIG. 7 is a bottom view of the pineapple corer. Components shown in broken lines are for illustrative purposes only and form no part of the claimed invention.

**1 Claim, 6 Drawing Sheets**



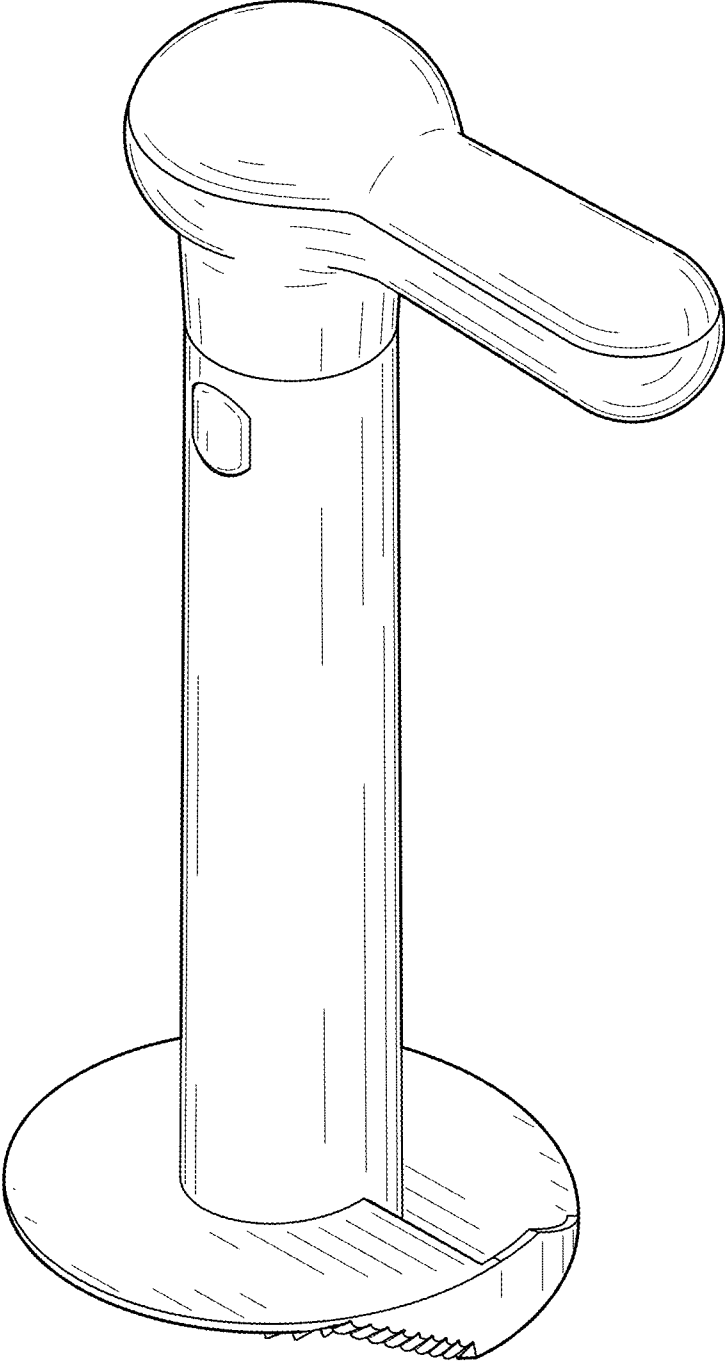


FIG.1

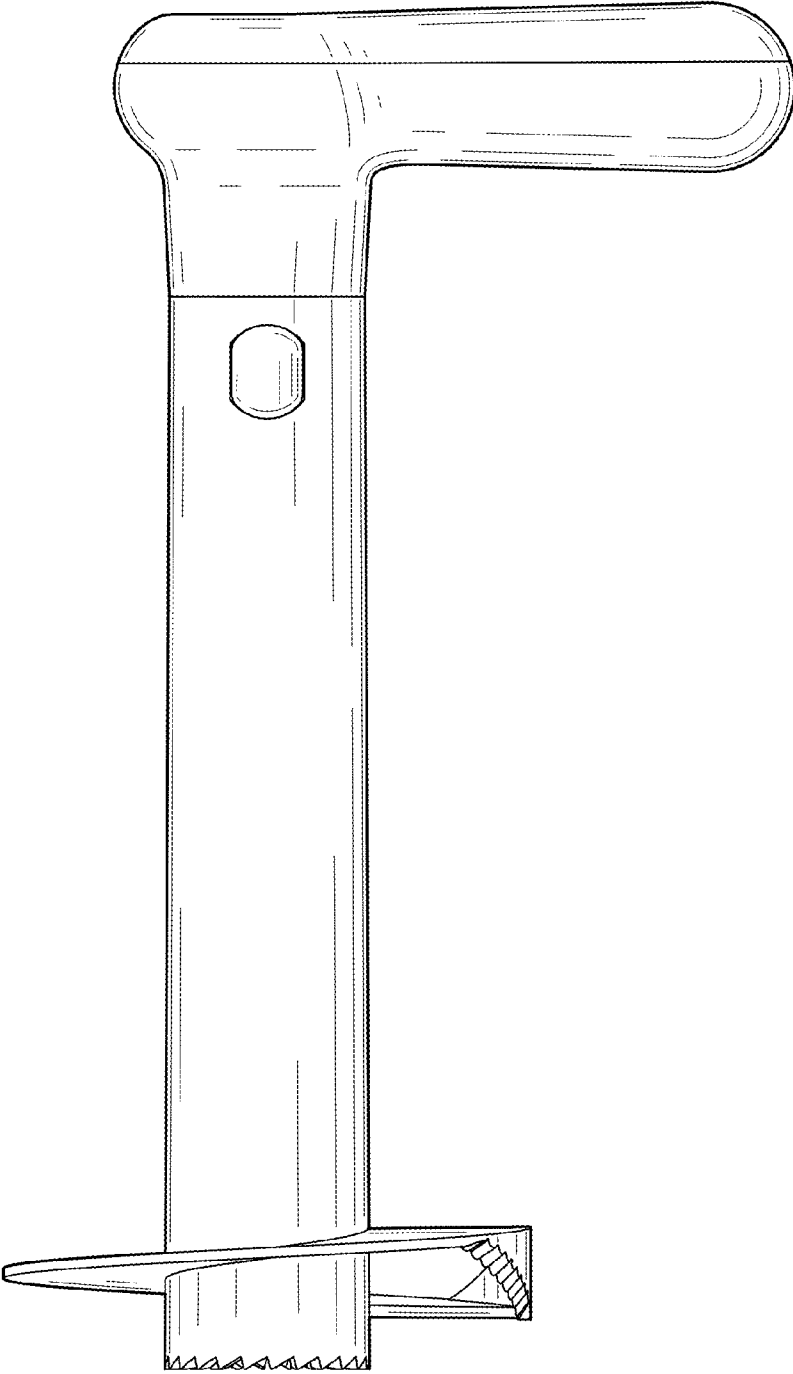


FIG. 2

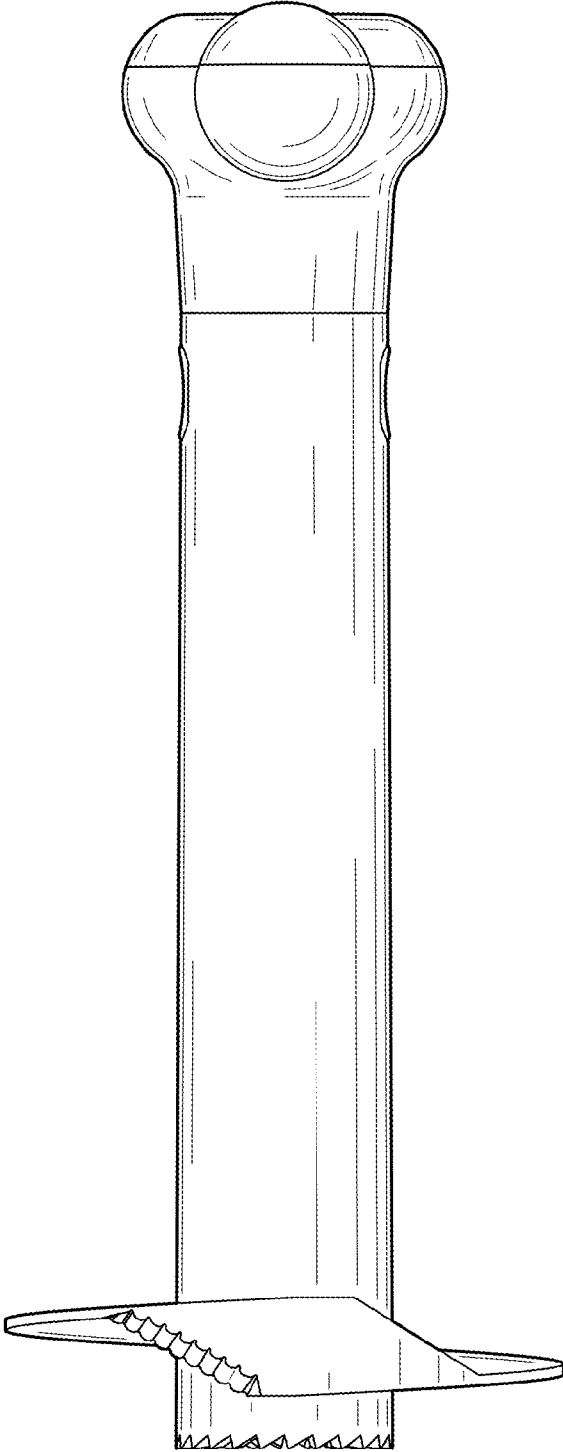


FIG. 3

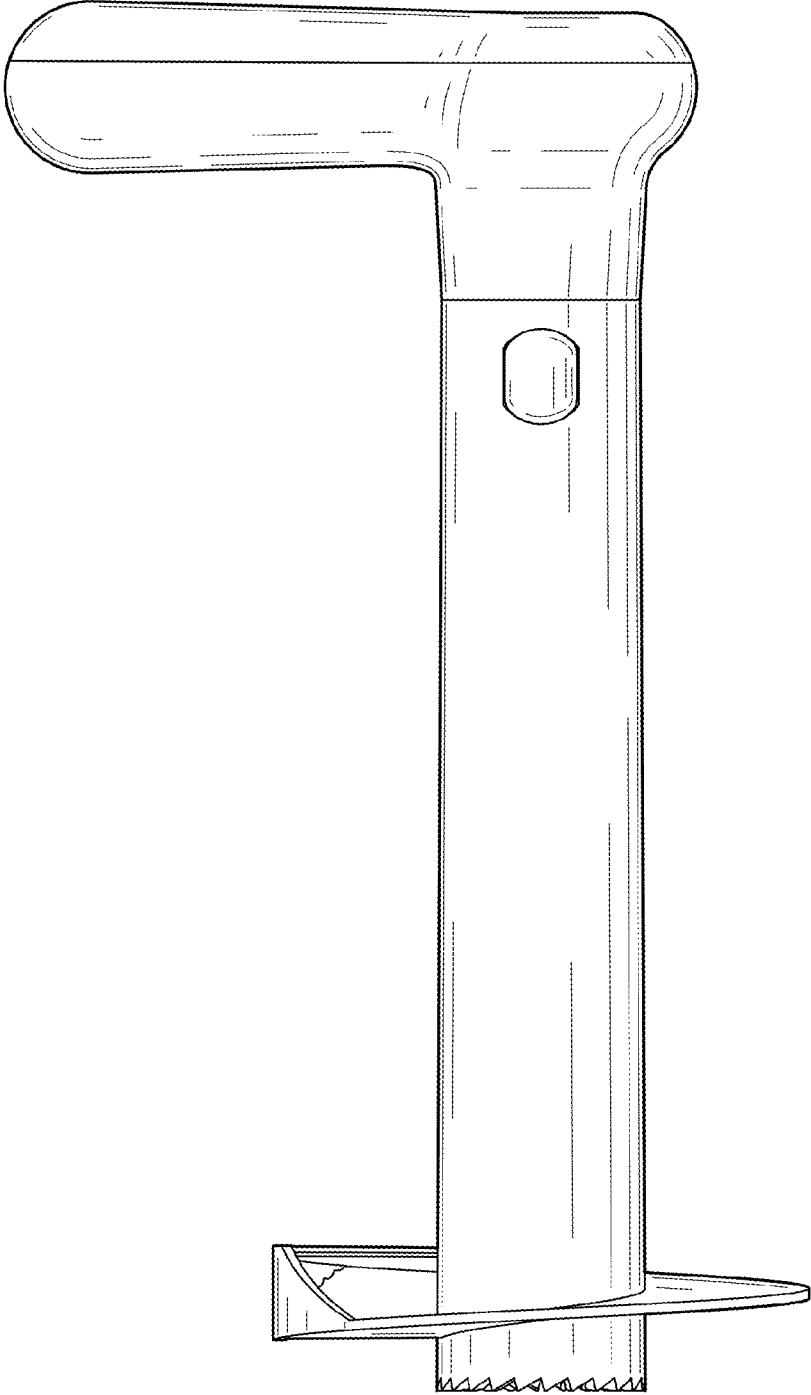


FIG. 4

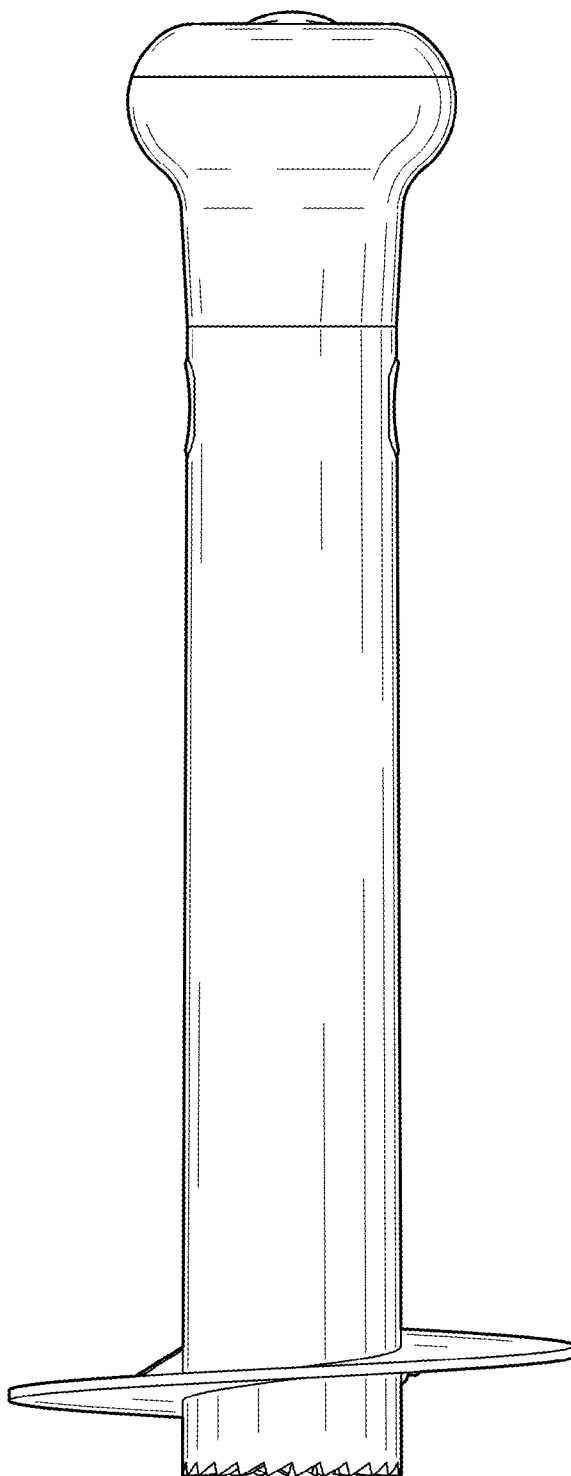


FIG.5

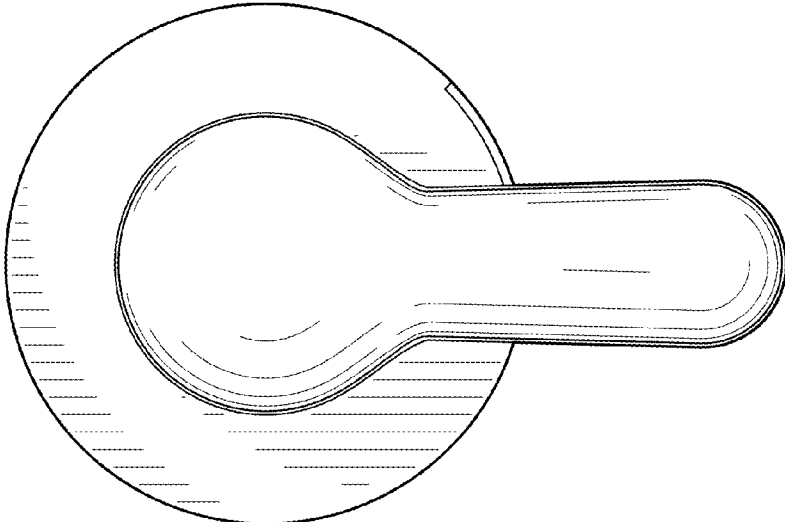


FIG. 6

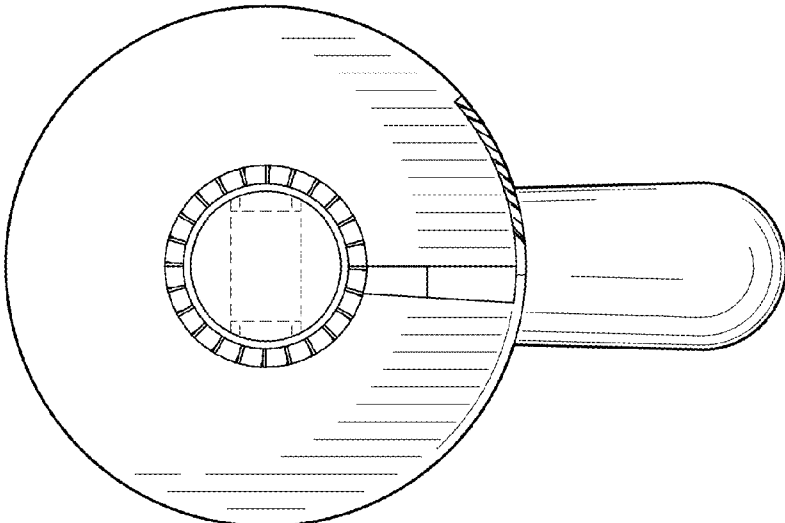


FIG. 7