



US00D784642S

(12) **United States Design Patent**  
**Webster**

(10) **Patent No.:** **US D784,642 S**

(45) **Date of Patent:** **\*\* Apr. 18, 2017**

- (54) **VACUUM CLEANER**
- (71) Applicant: **Dyson Technology Limited**, Wiltshire (GB)
- (72) Inventor: **Alexander Patrick Webster**, Bristol (GB)
- (73) Assignee: **Dyson Technology Limited**, Malmesbury, Wiltshire (GB)
- (\*\*) Term: **15 Years**
- (21) Appl. No.: **29/551,012**
- (22) Filed: **Jan. 8, 2016**

5,546,985	A *	8/1996	Bartholomew	.....	F16L 37/098
					137/614.03
6,115,881	A *	9/2000	Hult	.....	A47L 9/242
					15/327.1
D453,867	S *	2/2002	Zahuranec	.....	D32/31
6,354,635	B1 *	3/2002	Dyson	.....	A47L 9/242
					285/308
D504,750	S *	5/2005	Leyden	.....	D32/31
D545,512	S *	6/2007	Genoa	.....	D32/31
D597,715	S *	8/2009	Barker	.....	D32/31
D610,760	S *	2/2010	Zugen	.....	D32/31
D642,754	S *	8/2011	Fjellman	.....	D32/31
D647,266	S *	10/2011	Kim	.....	D32/31
D674,158	S *	1/2013	Kim	.....	D32/31
2005/0183228	A1 *	8/2005	Snyder	.....	A47L 9/242
					15/314
2012/0312409	A1 *	12/2012	Yamashita	.....	A47L 9/242
					138/109

(30) **Foreign Application Priority Data**

Dec. 10, 2015 (EM) ..... 002904508-0002

(51) **LOC (10) Cl.** ..... **15-05**

(52) **U.S. Cl.**  
USPC ..... **D32/31**

(58) **Field of Classification Search**  
USPC ..... D32/31-33, 17  
CPC . D06F 87/00; A47L 5/24; A47L 5/362; A47L 5/365; A47L 11/34; A47L 11/4044; A47L 11/4086; A47L 9/02; A47L 9/0461; A47L 9/0693; A47L 9/06; A47L 9/2857; A47L 9/325; A47L 9/242; A47L 7/009; F16L 37/34; F16L 37/088; F16L 37/413  
See application file for complete search history.

(56) **References Cited**

**U.S. PATENT DOCUMENTS**

- 4,964,189 A \* 10/1990 Rau ..... A47L 9/242
- 15/327.2
- D314,848 S \* 2/1991 Foldes ..... D32/31

\* cited by examiner

*Primary Examiner* — Ruth McInroy

(74) *Attorney, Agent, or Firm* — Morrison & Foerster LLP

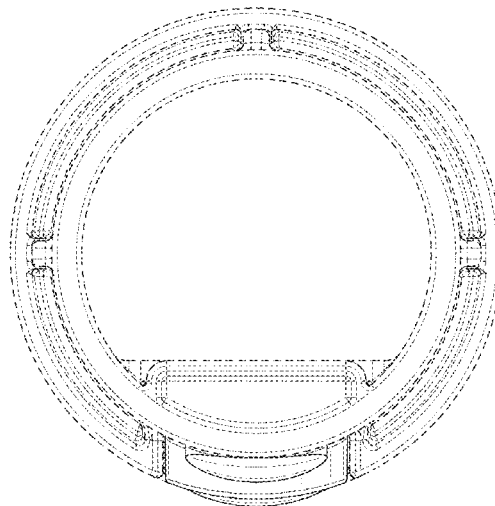
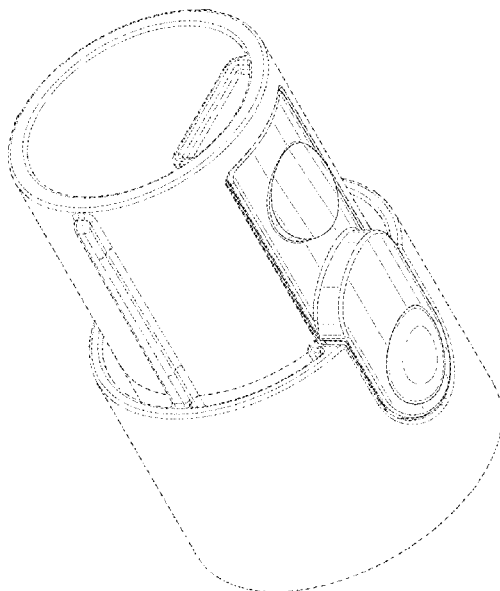
(57) **CLAIM**

I claim the ornamental design for a vacuum cleaner, as shown and described.

**DESCRIPTION**

FIG. 1 is a perspective view of a vacuum cleaner showing our new design;  
FIG. 2 is a top view thereof;  
FIG. 3 is a bottom view thereof;  
FIG. 4 is a side view thereof;  
FIG. 5 is a side view of the opposite side of FIG. 4;  
FIG. 6 is an end view thereof; and,  
FIG. 7 is an end view of the opposite end of FIG. 6.  
The details shown in broken lines form no part of the claimed design.

**1 Claim, 7 Drawing Sheets**



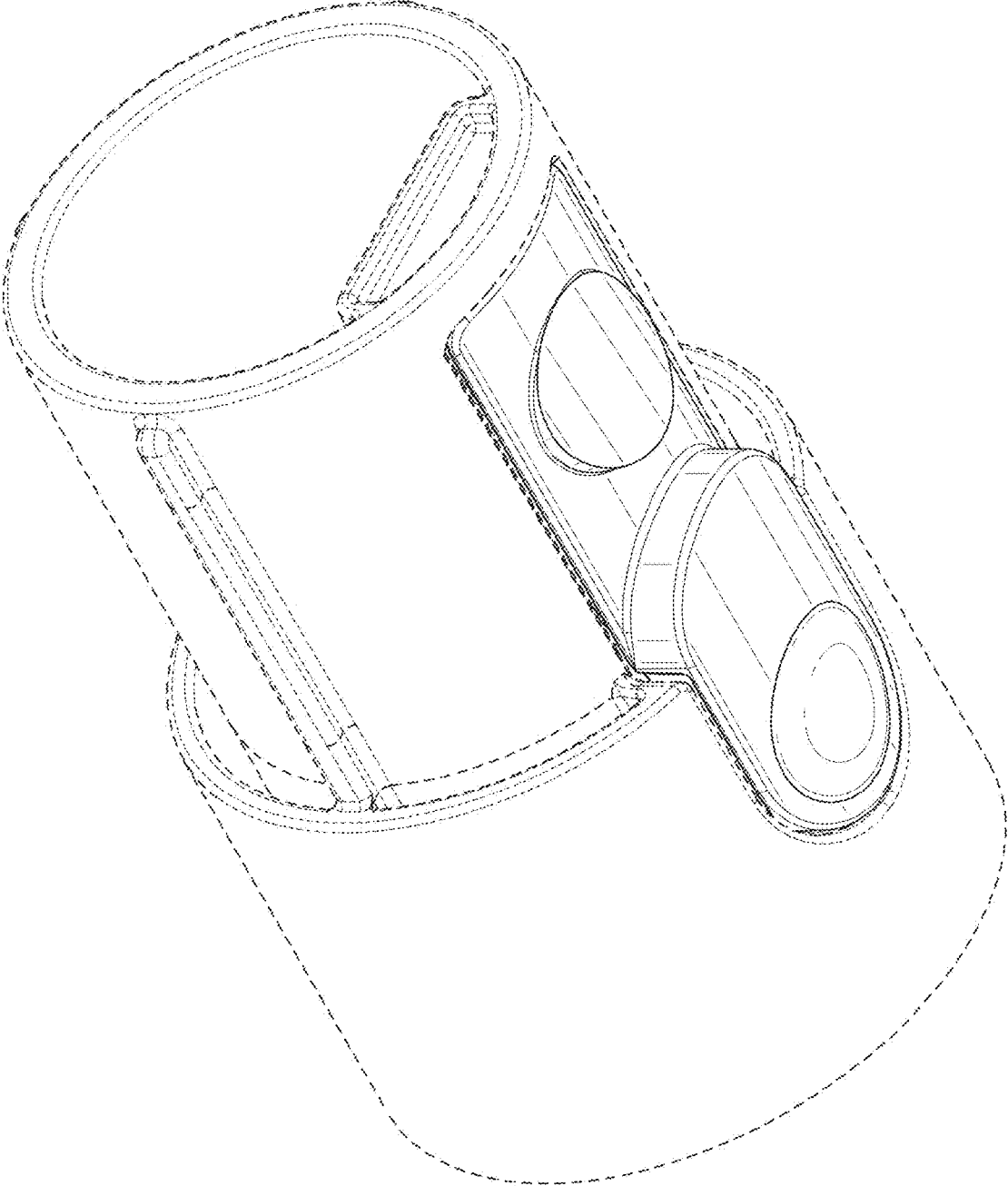


FIG. 1

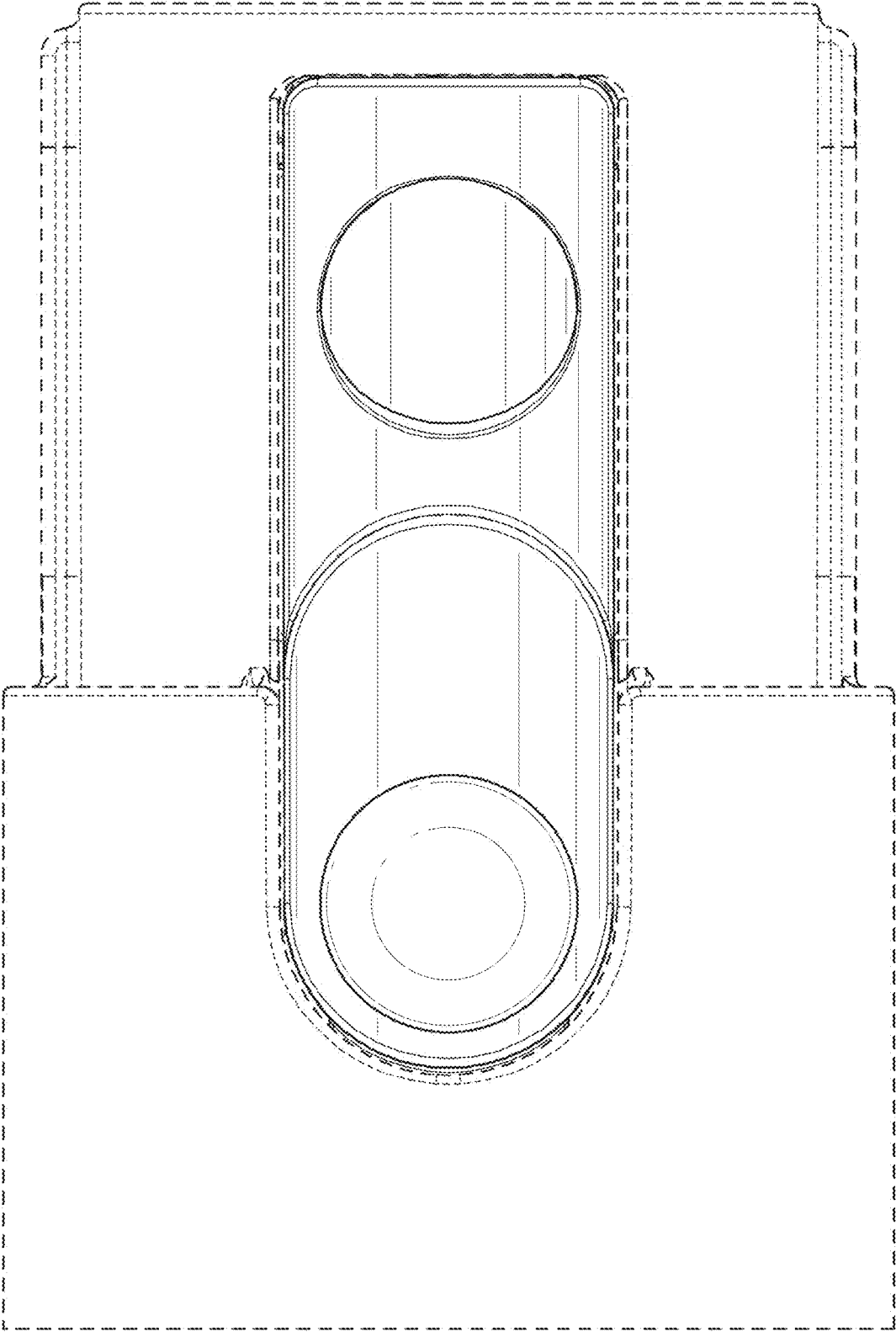


FIG. 2

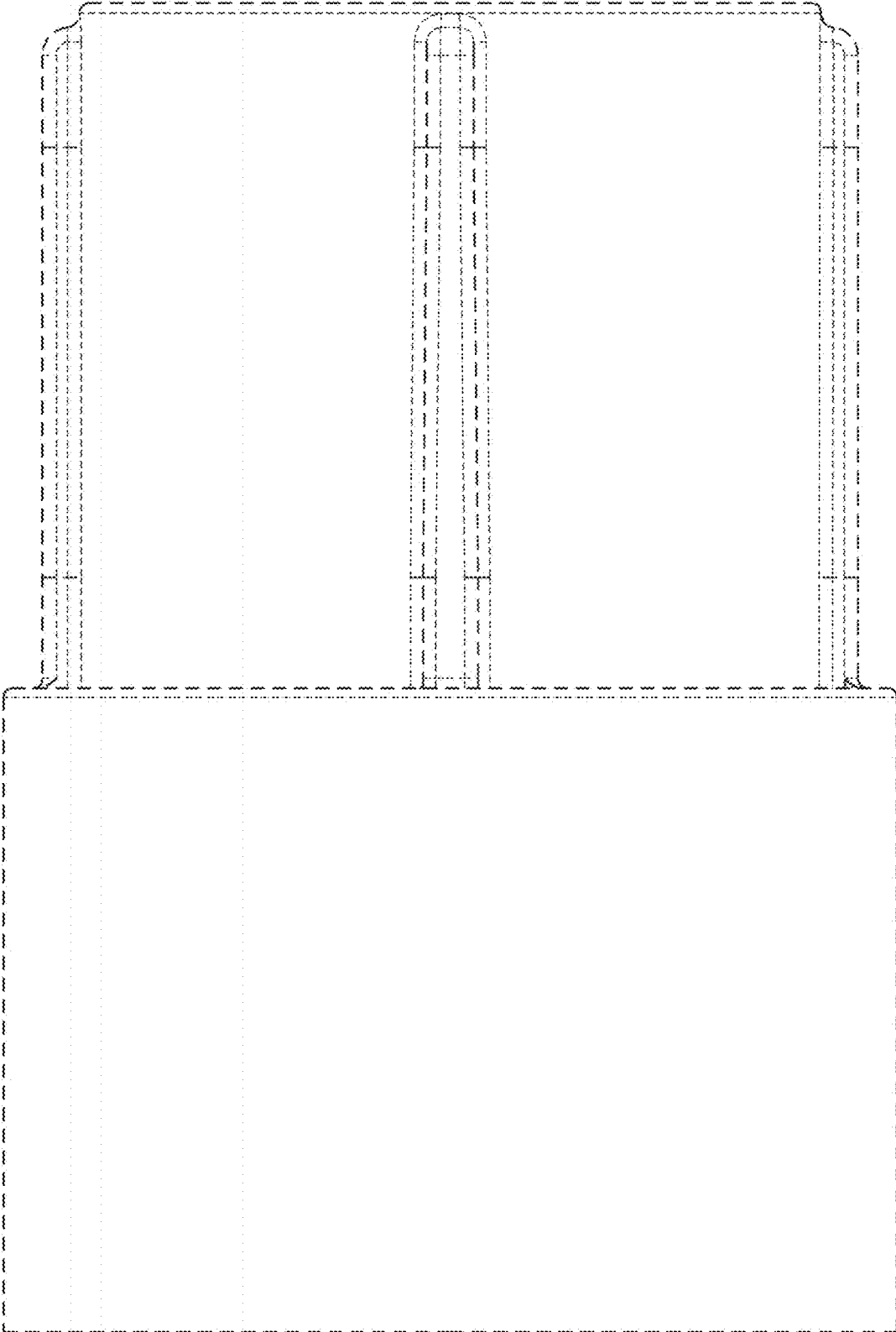


FIG. 3

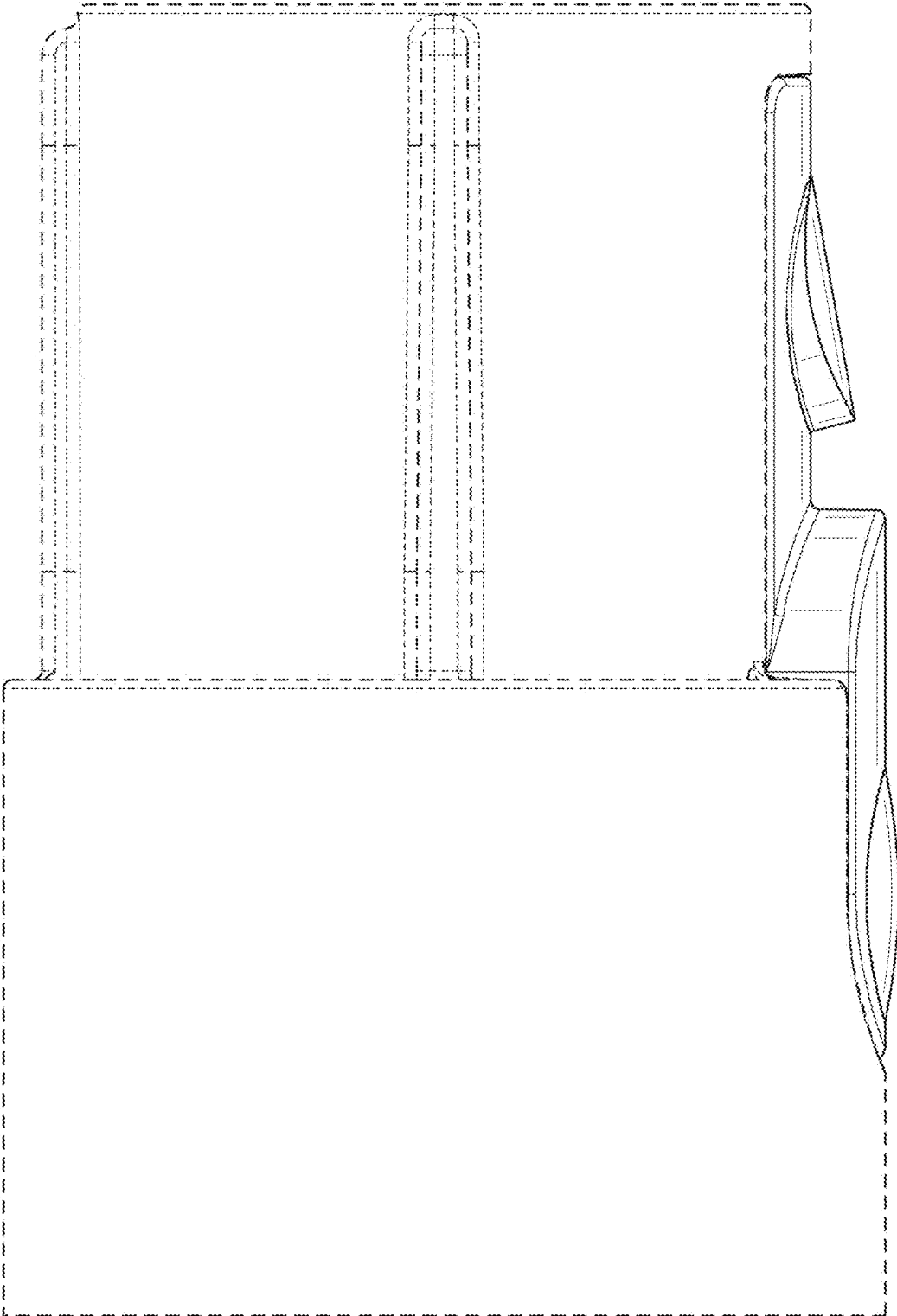


FIG. 4

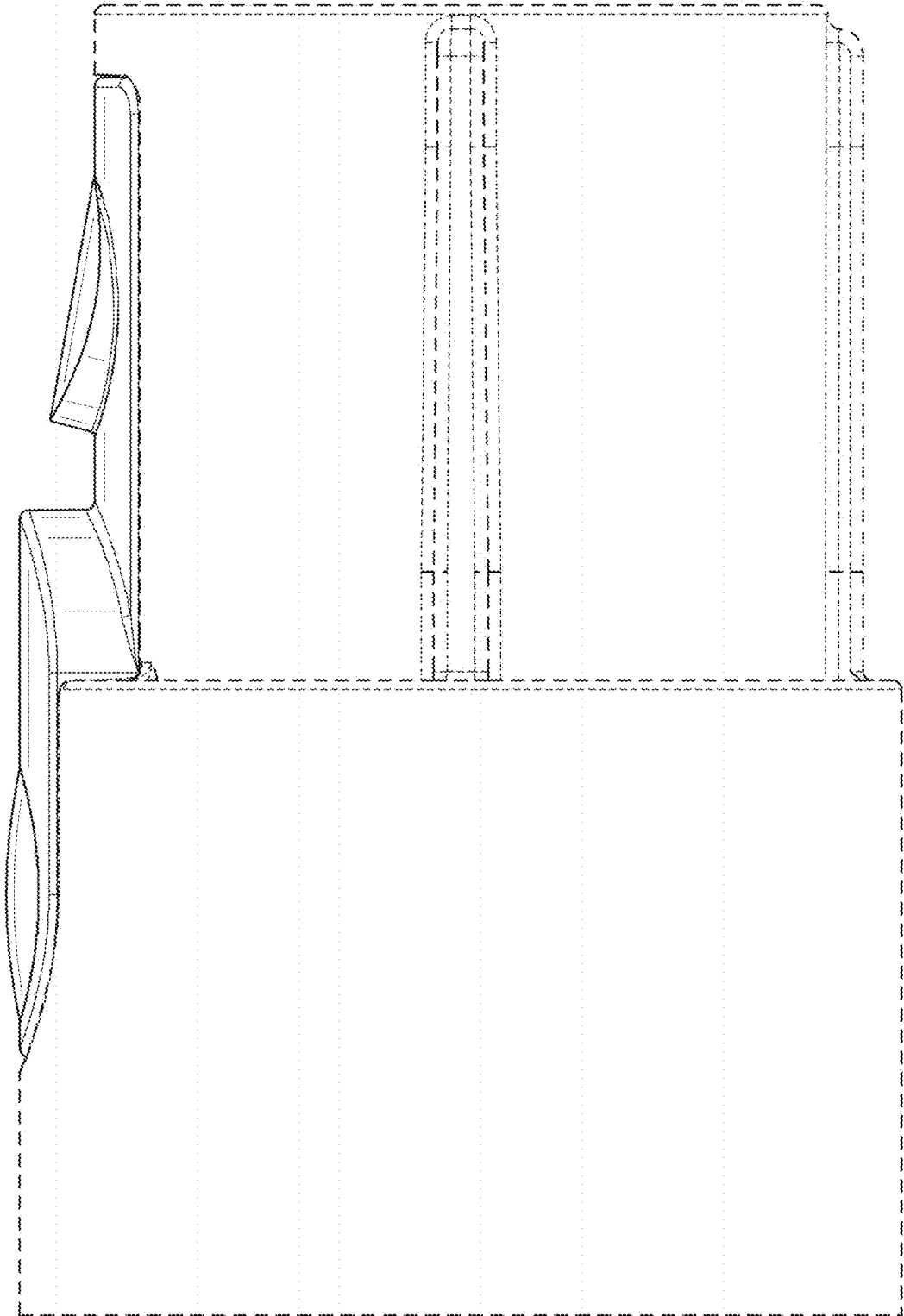


FIG. 5

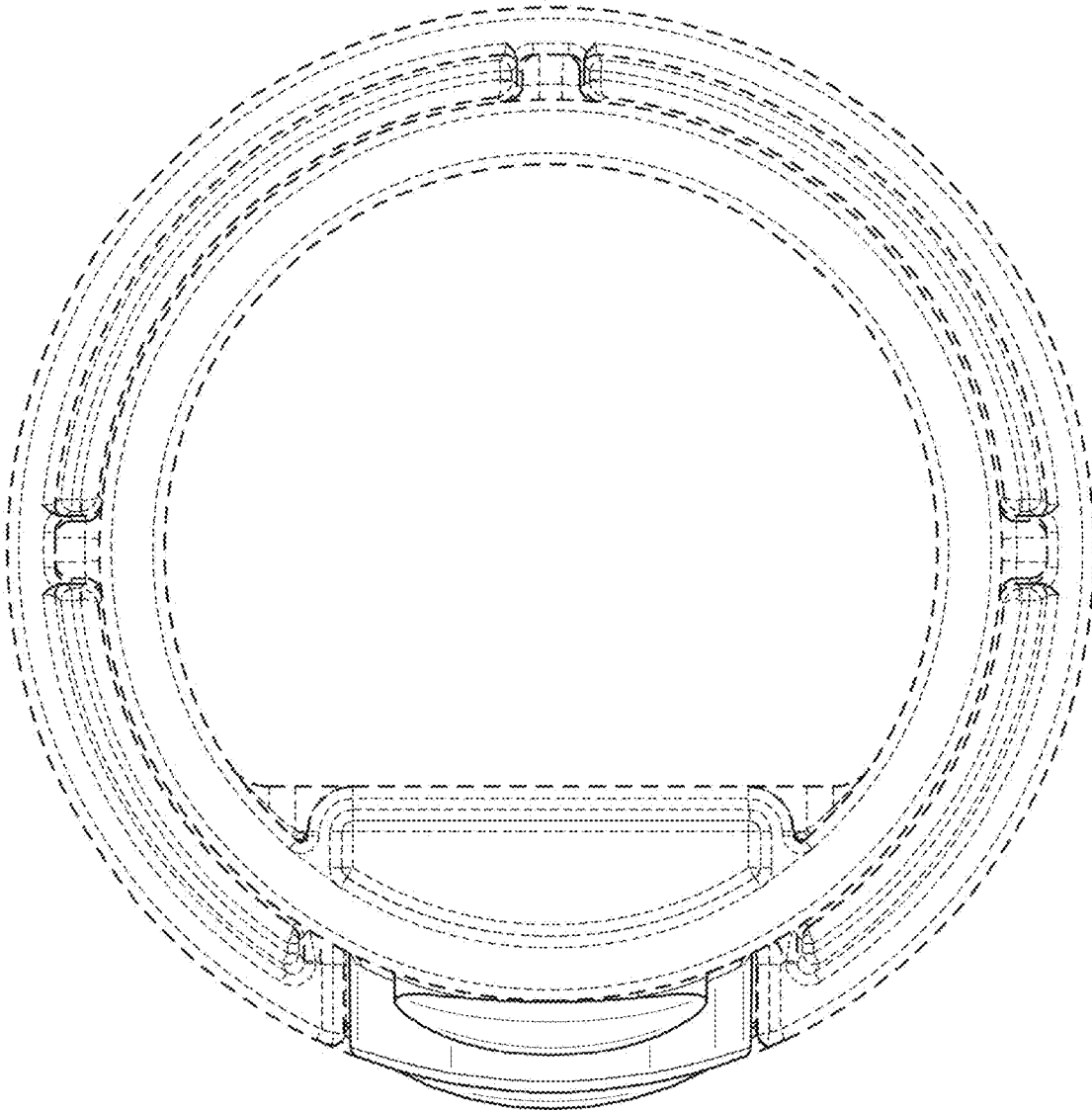


FIG. 6

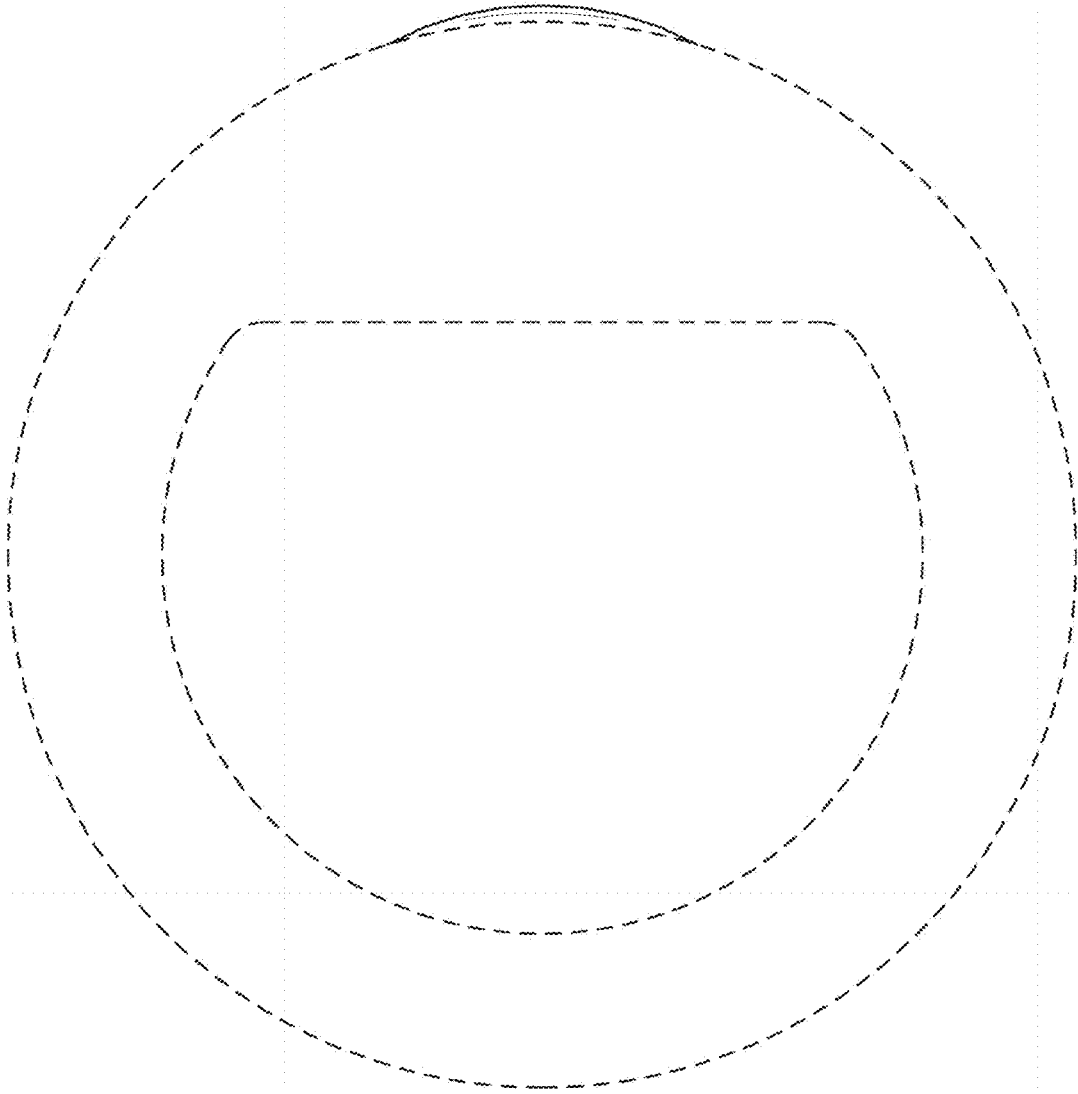


FIG. 7