



US00D827012S

(12) **United States Design Patent**  
**Katori**

(10) **Patent No.:** **US D827,012 S**

(45) **Date of Patent:** **\*\* Aug. 28, 2018**

(54) **CAMERA**

(71) Applicant: **Panasonic Intellectual Property Management Co., Ltd., Osaka (JP)**

(72) Inventor: **Takehito Katori, Kanagawa (JP)**

(73) Assignee: **Panasonic Intellectual Property Management Co., Ltd., Osaka (JP)**

(\*\*) Term: **15 Years**

(21) Appl. No.: **29/608,330**

(22) Filed: **Jun. 21, 2017**

(51) **LOC (11) Cl.** ..... **16-01**

(52) **U.S. Cl.**  
USPC ..... **D16/202**

(58) **Field of Classification Search**  
USPC ..... D16/200, 202–208, 210, 218, 219;  
348/143, 148, 151, 373–376; 396/419,  
396/427, 535–541  
CPC ..... G03B 15/03; G03B 17/02; G03B 17/04;  
G03B 17/56; G03B 19/04; H04N 5/2251;  
H04N 5/2252; H04N 5/2253; H04N  
5/2254; H04N 2101/00  
See application file for complete search history.

(56) **References Cited**

**U.S. PATENT DOCUMENTS**

D484,159 S	12/2003	Cheng	
D528,576 S *	9/2006	Chung	D16/202
D529,528 S *	10/2006	Ross, Jr.	D16/200
D556,234 S	11/2007	Pena Angarita	
D558,805 S	1/2008	Sadatsuki	
D621,435 S *	8/2010	Green	D16/202
D629,435 S *	12/2010	Barley	D16/202
D631,495 S *	1/2011	Lee	D16/202
D640,721 S *	6/2011	Satine	D16/202

D647,937 S	11/2011	Raken et al.	
D659,734 S	5/2012	Ip et al.	
D694,797 S *	12/2013	Parker	D16/202
D696,330 S	12/2013	Matsumoto et al.	
D709,118 S *	7/2014	Yu	D16/203
D727,389 S *	4/2015	Schmidt	D16/218
D727,390 S *	4/2015	Schmidt	D16/218
D727,391 S *	4/2015	Schmidt	D16/218
D753,751 S	4/2016	Moller-Lewin et al.	
D778,338 S	2/2017	Muhlenkamp, IV et al.	
D809,046 S *	1/2018	Hatcher	D16/202
2007/0223915 A1 *	9/2007	Yi	G03B 17/02 396/535

\* cited by examiner

*Primary Examiner* — Philip S Hyder

*Assistant Examiner* — Ramzi S Almatrahi

(74) *Attorney, Agent, or Firm* — Panasonic IP Management; Kerry S. Culpepper

(57) **CLAIM**

I claim the ornamental design for a camera, as shown and described.

**DESCRIPTION**

FIG. 1 is a top, front and left side perspective view of a camera of the present invention;

FIG. 2 is a bottom, front and right side perspective view thereof;

FIG. 3 is a front view thereof;

FIG. 4 is a rear view thereof;

FIG. 5 is a left side view thereof;

FIG. 6 is a right side view thereof;

FIG. 7 is a top view thereof; and,

FIG. 8 is a bottom view thereof.

The broken lines depict portions of the camera in which the design is embodied that form no part of the claimed design.

**1 Claim, 8 Drawing Sheets**

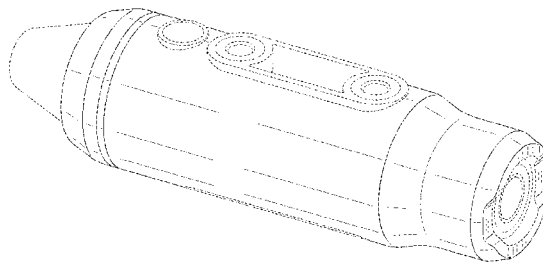
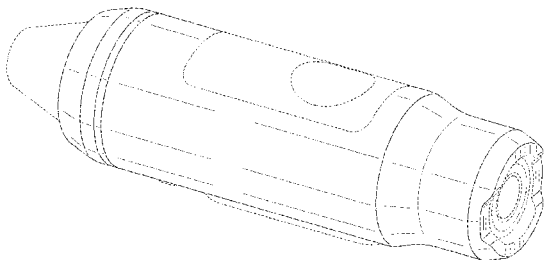


FIG. 1

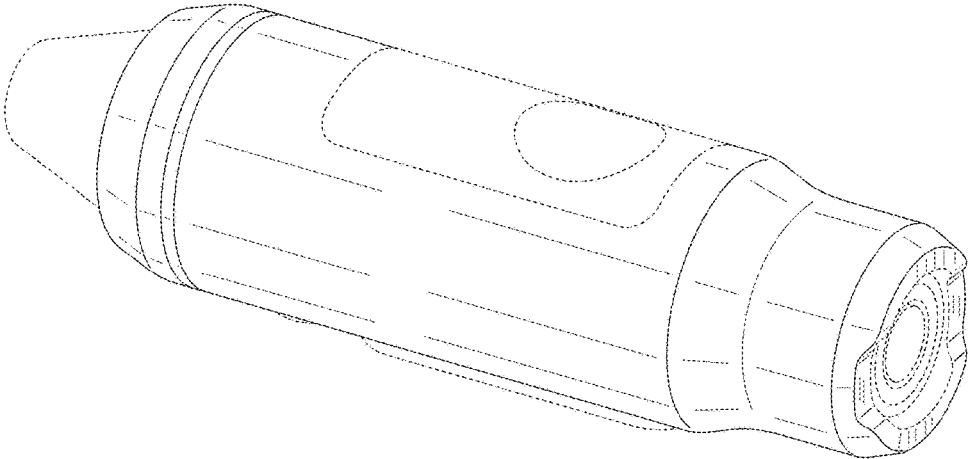


FIG. 2

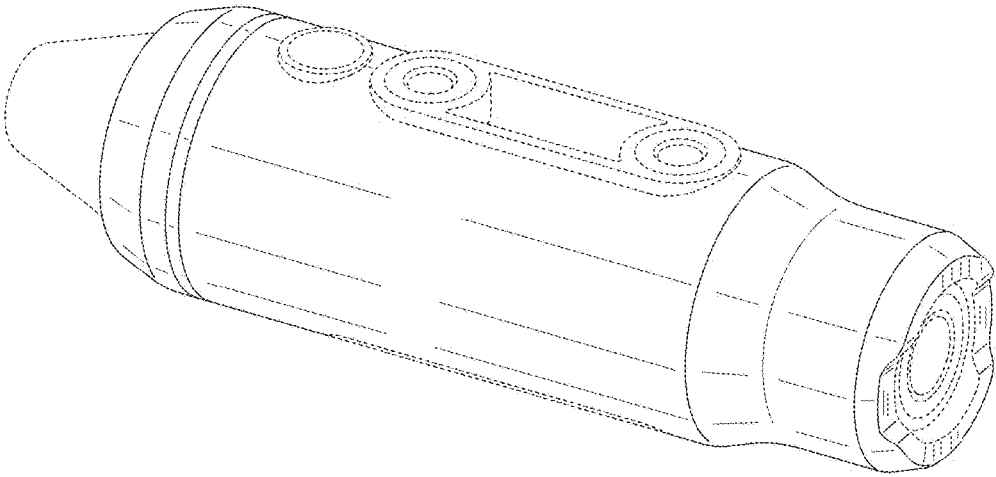


FIG. 3

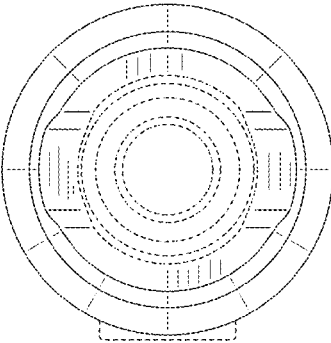


FIG. 4

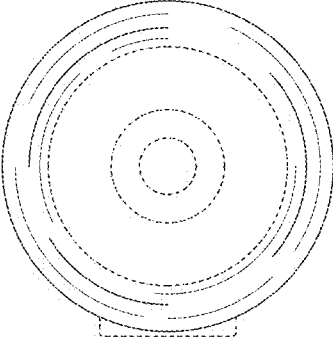


FIG. 5

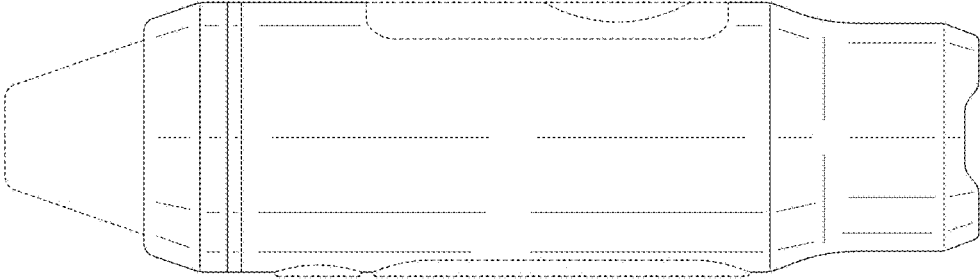


FIG. 6

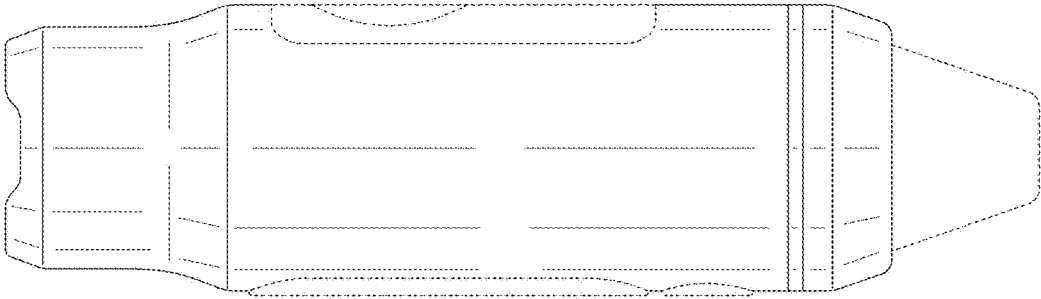


FIG. 7

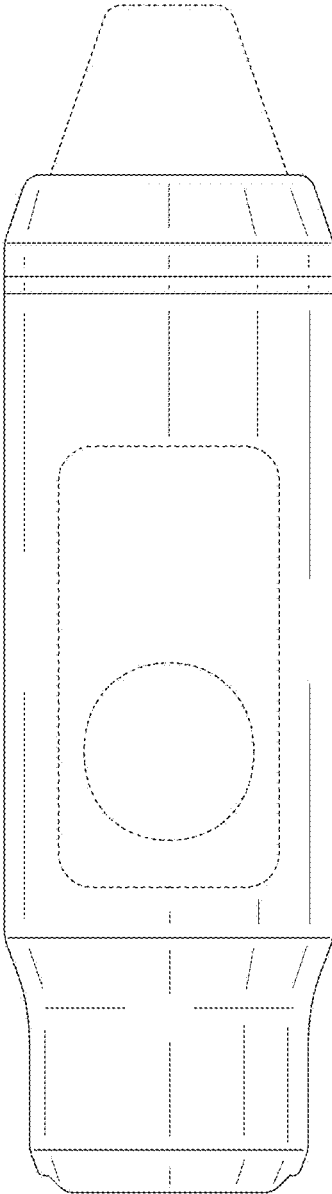




FIG. 8

