



- (51) International Patent Classification:
B65F 5/00 (2006.01) F16K 31/122 (2006.01)
F16K 1/20 (2006.01)
- (21) International Application Number:
PCT/FI2011/050132
- (22) International Filing Date:
14 February 2011 (14.02.2011)
- (25) Filing Language:
Finnish
- (26) Publication Language:
English
- (30) Priority Data:
20105160 18 February 2010 (18.02.2010) FI
- (71) Applicant (for all designated States except US): MARI-CAP OY [FI/FI]; Pohjantähdentie 17, FI-01450 Vantaa (FI).
- (72) Inventors; and
- (75) Inventors/Applicants (for US only): MONTONEN, Jan [FI/FI]; Laajasalonkaari 8 A, FI-00840 Helsinki (FI).

SEERE, Daniel [FI/FI]; Peuratie 6 A, FI-01450 Vantaa (FI). SUNDHOLM, Göran [FI/FI]; Ilmari Kiannon kuja 3, FI-04310 Tuusula (FI).

(74) Agent: HEINÄNEN OY; Äyritie 8 D, FI-01510 Vantaa (FI).

(81) Designated States (unless otherwise indicated, for every kind of national protection available): AE, AG, AL, AM, AO, AT, AU, AZ, BA, BB, BG, BH, BR, BW, BY, BZ, CA, CH, CL, CN, CO, CR, CU, CZ, DE, DK, DM, DO, DZ, EC, EE, EG, ES, FI, GB, GD, GE, GH, GM, GT, HN, HR, HU, ID, IL, IN, IS, JP, KE, KG, KM, KN, KP, KR, KZ, LA, LC, LK, LR, LS, LT, LU, LY, MA, MD, ME, MG, MK, MN, MW, MX, MY, MZ, NA, NG, NI, NO, NZ, OM, PE, PG, PH, PL, PT, RO, RS, RU, SC, SD, SE, SG, SK, SL, SM, ST, SV, SY, TH, TJ, TM, TN, TR, TT, TZ, UA, UG, US, UZ, VC, VN, ZA, ZM, ZW.

(84) Designated States (unless otherwise indicated, for every kind of regional protection available): ARIPO (BW, GH, GM, KE, LR, LS, MW, MZ, NA, SD, SL, SZ, TZ, UG,

[Continued on next page]

(54) Title: METHOD AND APPARATUS IN A PNEUMATIC MATERIAL CONVEYING SYSTEM

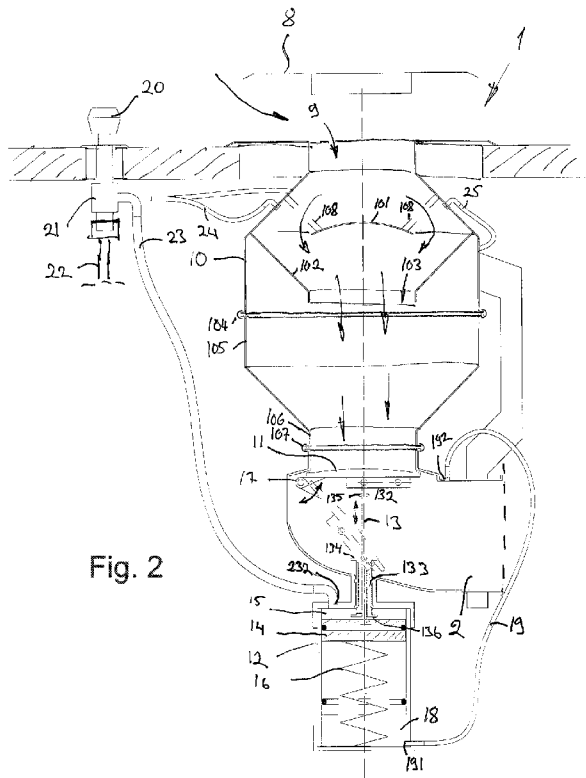


Fig. 2

(57) Abstract: Method in a pneumatic material conveying system, such as in a waste conveying system, which conveying system comprises at least one input point (1) of material, more particularly of waste material, a material conveying pipe (2, 3), which can be connected to an input point (1), and a separating device (4), in which the material to be transferred is separated from the conveying air, and also means (5) for achieving a pressure difference in the conveying pipe (2, 3) at least during transfer of material. The actuator (12) of the valve means (11, 300, 400) arranged between an input point (1) and the conveying piping (2, 3) is driven and/or controlled with water to be conducted from the water mains network (22).



ZM, ZW), Eurasian (AM, AZ, BY, KG, KZ, MD, RU, TJ, TM), European (AL, AT, BE, BG, CH, CY, CZ, DE, DK, EE, ES, FI, FR, GB, GR, HR, HU, IE, IS, IT, LT, LU, LV, MC, MK, MT, NL, NO, PL, PT, RO, RS, SE, SI, SK, SM, TR), OAPI (BF, BJ, CF, CG, CI, CM, GA, GN, GQ, GW, ML, MR, NE, SN, TD, TG).

Published:

- *with international search report (Art. 21(3))*
- *before the expiration of the time limit for amending the claims and to be republished in the event of receipt of amendments (Rule 48.2(h))*

Declarations under Rule 4.17:

- *of inventorship (Rule 4.17(iv))*

(88) Date of publication of the international search report:

16 August 2012

INTERNATIONAL SEARCH REPORT

International application No
PCT/FI2011/050132

A. CLASSIFICATION OF SUBJECT MATTER

INV. B65F5/00 F16K1/20 F16K31/122
ADD.

According to International Patent Classification (IPC) or to both national classification and IPC

B. FIELDS SEARCHED

Minimum documentation searched (classification system followed by classification symbols)

B65F B65G F16K F15B B03B E03F B63B

Documentation searched other than minimum documentation to the extent that such documents are included in the fields searched

Electronic data base consulted during the international search (name of data base and, where practicable, search terms used)

EPO-Internal, WPI Data

C. DOCUMENTS CONSIDERED TO BE RELEVANT

Category*	Citation of document, with indication, where appropriate, of the relevant passages	Relevant to claim No.
A	US 2006/207653 A1 (T. KETTUNEN) 21 September 2006 (2006-09-21) paragraph [0012] - paragraph [0027] figure 1	1,12
A	----- WO 2009/039856 A1 (P. JAKOBSEN) 2 April 2009 (2009-04-02) page 4, line 30 - page 6, line 11 page 9, line 11 - line 24 page 11, line 7 - line 28 figures 1,4	1,12
A	----- WO 98/47788 A1 (AB CENTRALSUG) 29 October 1998 (1998-10-29) abstract; figure 1 -----	1,12

Further documents are listed in the continuation of Box C.

See patent family annex.

* Special categories of cited documents :

"A" document defining the general state of the art which is not considered to be of particular relevance

"E" earlier application or patent but published on or after the international filing date

"L" document which may throw doubts on priority claim(s) or which is cited to establish the publication date of another citation or other special reason (as specified)

"O" document referring to an oral disclosure, use, exhibition or other means

"P" document published prior to the international filing date but later than the priority date claimed

"T" later document published after the international filing date or priority date and not in conflict with the application but cited to understand the principle or theory underlying the invention

"X" document of particular relevance; the claimed invention cannot be considered novel or cannot be considered to involve an inventive step when the document is taken alone

"Y" document of particular relevance; the claimed invention cannot be considered to involve an inventive step when the document is combined with one or more other such documents, such combination being obvious to a person skilled in the art

"&" document member of the same patent family

Date of the actual completion of the international search

18 June 2012

Date of mailing of the international search report

28/06/2012

Name and mailing address of the ISA/

European Patent Office, P.B. 5818 Patentlaan 2
NL - 2280 HV Rijswijk
Tel. (+31-70) 340-2040,
Fax: (+31-70) 340-3016

Authorized officer

Smolders, Rob

INTERNATIONAL SEARCH REPORT

Information on patent family members

International application No

PCT/FI2011/050132

Patent document cited in search report	Publication date	Patent family member(s)	Publication date
US 2006207653	A1	21-09-2006	AT 496822 T 15-02-2011
			DK 1702839 T3 09-05-2011
			EP 1702839 A1 20-09-2006
			ES 2357139 T3 19-04-2011
			FI 121736 B1 31-03-2011
			PT 1702839 E 01-03-2011
			US 2006207653 A1 21-09-2006
			US 2007295660 A1 27-12-2007

WO 2009039856	A1	02-04-2009	CN 101878389 A 03-11-2010
			EP 2201277 A1 30-06-2010
			US 2010236632 A1 23-09-2010
			WO 2009039856 A1 02-04-2009

WO 9847788	A1	29-10-1998	CN 1251077 A 19-04-2000
			HK 1027081 A1 09-07-2004
			JP 2001521478 A 06-11-2001
			WO 9847788 A1 29-10-1998
