

- [54] **FLUORESCENT TABLE LAMP**
- [76] Inventor: **Delores S. Freeman**, 134-40 231st St., Laurelton, N.Y. 11413
- [\*\*] Term: **14 Years**
- [21] Appl. No.: **658,872**
- [22] Filed: **Feb. 18, 1976**
- [51] Int. Cl. .... **D26-05**
- [52] U.S. Cl. .... **D48/20 R**
- [58] Field of Search ..... D48/20 R, 20 A; 240/51.11, 81 R, 2 SL, 10 R, 10.5

D. 42,054	12/1911	Lovell	.....	D48/20 R
D. 56,280	9/1920	Forbes et al.	.....	D48/20 C UX
D. 171,637	3/1954	Char	.....	D48/20 R

*Primary Examiner*—Susie J. Mercer  
*Attorney, Agent, or Firm*—Jack D. Slobod

[57] **CLAIM**

The ornamental design for a fluorescent table lamp, as shown.

**DESCRIPTION**

FIG. 1 is an elevational view of a fluorescent table lamp showing my new design;  
 FIG. 2 is a top plan view thereof; and  
 FIG. 3 is a cross-sectional view taken on line 3—3 in FIG. 1.

- [56] **References Cited**
- U.S. PATENT DOCUMENTS
- 1,556,492 10/1925 Coleman ..... 240/10.5

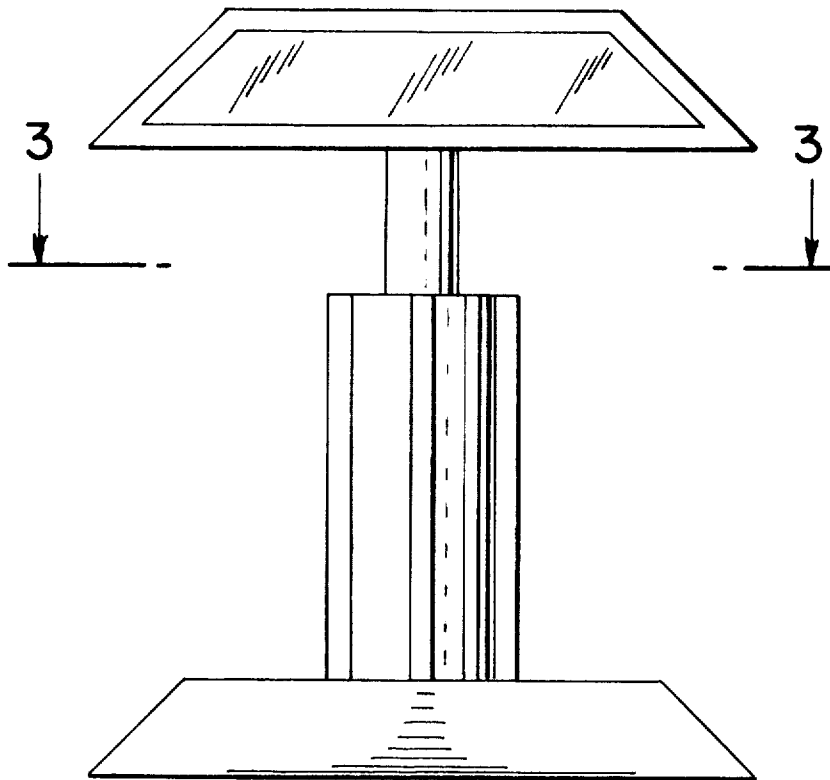


Fig. 2

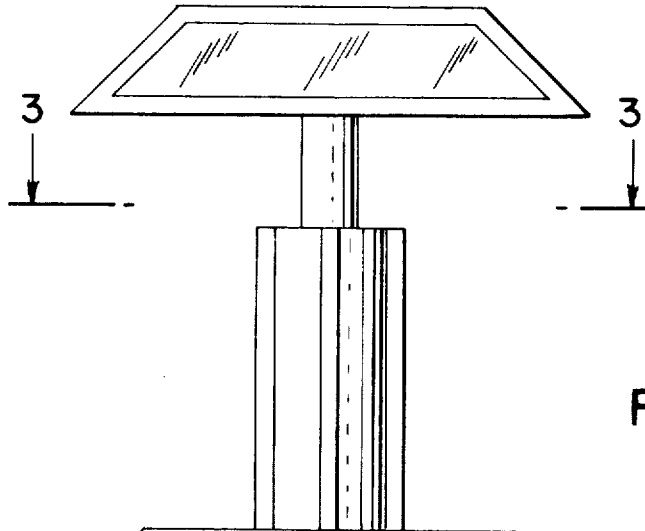
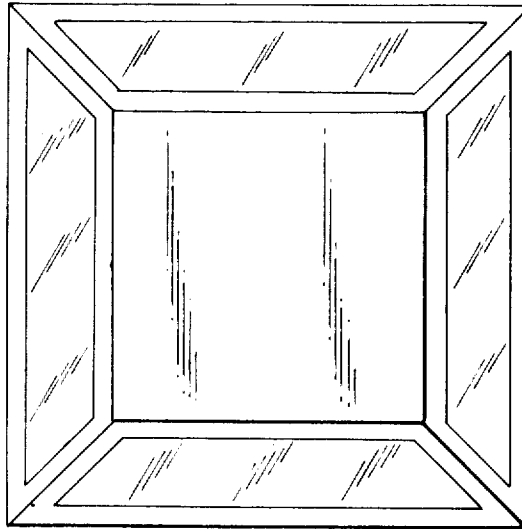


Fig. 1

Fig. 3

