



US00D739420S

(12) **United States Design Patent**
Bitiukov et al.

(10) **Patent No.:** **US D739,420 S**

(45) **Date of Patent:** **** Sep. 22, 2015**

(54) **DISPLAY DEVICE PORTION WITH A GRAPHICAL USER INTERFACE SHOWING AN ARMORED VEHICLE**

(71) Applicant: **Wargaming.net LLP**, London (GB)

(72) Inventors: **Petr Bitiukov**, Moscow (RU);
Medvedev Andreji, Minsk (BY);
Melnikau Yauheni, Molodechno (BY)

(73) Assignee: **Wargaming.net LLP**, Walthamstow (GB)

(**) Term: **14 Years**

(21) Appl. No.: **29/470,201**

(22) Filed: **Oct. 18, 2013**

(51) **LOC (10) Cl.** **14-04**

(52) **U.S. Cl.** **D14/485**
USPC

(58) **Field of Classification Search**
USPC D12/1, 4, 12, 400; D14/485, 486, 487,
D14/488, 489, 490, 491, 492, 493, 494,
D14/495; D19/6; D21/539, 557, 580, 833;
D23/215; 180/9.1; 434/16, 27; 446/88,
446/175, 429, 430, 433, 465, 470; 715/210,
715/700, 727

CPC .. G06F 3/048; G06F 3/04817; H04L 29/0809
See application file for complete search history.

(56) **References Cited**

U.S. PATENT DOCUMENTS

2,990,900	A *	7/1961	Palsson	180/6.48
3,602,088	A *	8/1971	Spring	89/36.13
3,687,003	A *	8/1972	Zurbuchen et al.	89/36.13
4,088,058	A *	5/1978	Flemming et al.	89/36.13
4,156,536	A *	5/1979	Brandstadter	280/124.129
4,733,596	A *	3/1988	Crow et al.	89/34
D296,913	S *	7/1988	Shibukawa	D21/580
4,765,694	A *	8/1988	Cory	305/189
4,860,633	A *	8/1989	Wiethoff et al.	89/45

4,924,749	A *	5/1990	Beyer et al.	89/41.09
4,928,574	A *	5/1990	Golden	89/34
D311,040	S *	10/1990	Kunihiro	D21/631
5,074,793	A *	12/1991	Hambric et al.	434/11
5,097,916	A *	3/1992	Brandstadter	180/9.1
5,189,243	A *	2/1993	Hambric	89/1.13
5,267,503	A *	12/1993	Grabner	89/46
5,780,761	A *	7/1998	Musante et al.	89/36.08
6,741,264	B1 *	5/2004	Lesser	715/727
7,225,399	B2 *	5/2007	Watson	715/210
7,704,119	B2 *	4/2010	Evans	446/454
8,562,081	B2 *	10/2013	Sturmon	305/189
8,599,080	B2 *	12/2013	Apostolos et al.	343/713

(Continued)

FOREIGN PATENT DOCUMENTS

EM 002403402-0005 * 2/2014

OTHER PUBLICATIONS

World of Tanks 9.8.1, VK7201—New Screenshots (on-line), dated Apr. 7, 2013. Retrieved from Internet Jun. 4, 2015, URL: <http://worldof-tanks.com/vk7201-new-screenshots/> (2 pages).*

Primary Examiner — Barbara Fox
Assistant Examiner — Kimberly Barnes

(74) *Attorney, Agent, or Firm* — Banner & Witcoff, Ltd.

(57) **CLAIM**

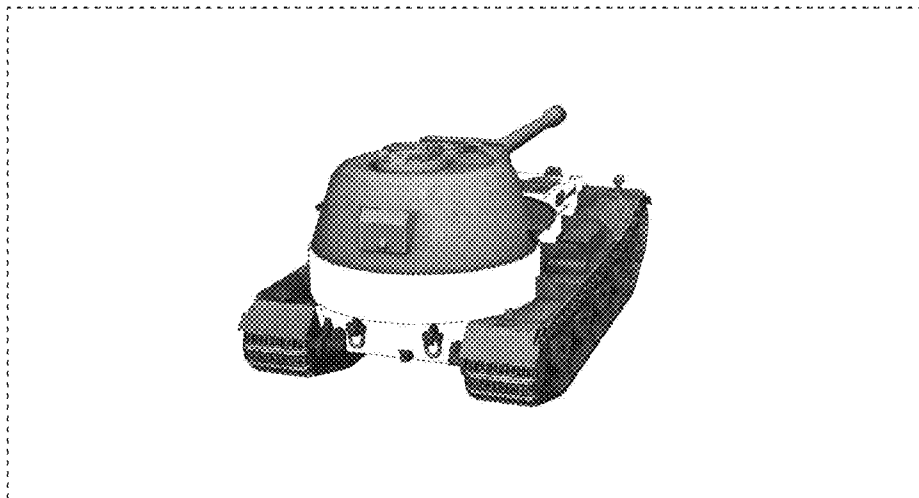
The ornamental design for a display device portion with a graphical user interface showing an armored vehicle, as shown and described.

DESCRIPTION

The FIGURE is a front view of a display device portion with a graphical user interface showing an armored vehicle according to the new design.

The portion of a display device shown in broken lines and the features of the armored vehicle shown in finer-incremental broken lines in the drawing form no part of the claimed design.

1 Claim, 1 Drawing Sheet



(56)

References Cited

U.S. PATENT DOCUMENTS

8,783,575	B2 *	7/2014	Finlayson et al.	235/472.02	9,027,458	B2 *	5/2015	Akavuti et al.	89/36.08
8,921,685	B2 *	12/2014	Razin et al.	136/251	2004/0183322	A1 *	9/2004	Baus et al.	296/24.4
8,977,507	B2 *	3/2015	Soles et al.	702/36	2007/0016861	A1 *	1/2007	Salomaa et al.	715/700
					2012/0236286	A1 *	9/2012	Layton	356/4.01
					2013/0062486	A1 *	3/2013	Shmargad	248/220.41

* cited by examiner

