



- (51) **International Patent Classification:**
E04F 15/02 (2006.01) *E04F 15/10* (2006.01)
- (21) **International Application Number:**
PCT/IB2012/053691
- (22) **International Filing Date:**
19 July 2012 (19.07.2012)
- (25) **Filing Language:** English
- (26) **Publication Language:** English
- (30) **Priority Data:**
61/529,344 31 August 2011 (31.08.2011) US
- (71) **Applicant (for all designated States except US):** **FLOOR-ING INDUSTRIES LIMITED, SARL** [IE/LU]; 10b, Rue des Mérovingiens, (ZI Bourmicht), L-8070 Bertrange (LU).
- (72) **Inventors; and**
- (75) **Inventors/Applicants (for US only):** **SCHACHT, Benny** [BE/BE]; Poperingseweg 247, B-8908 Vlamertinge (BE). **VAN HOOYDONCK, Guy** [BE/BE]; Erasmuslei 8, B-2900 Schoten (BE).
- (74) **Agents:** **SCHACHT, Benny et al.**; Unilin Industries BVBA, Ooigemstraat 3, B-8710 Wielsbeke (BE).
- (81) **Designated States (unless otherwise indicated, for every kind of national protection available):** AE, AG, AL, AM, AO, AT, AU, AZ, BA, BB, BG, BH, BR, BW, BY, BZ, CA, CH, CL, CN, CO, CR, CU, CZ, DE, DK, DM, DO, DZ, EC, EE, EG, ES, FI, GB, GD, GE, GH, GM, GT, HN, HR, HU, ID, IL, IN, IS, JP, KE, KG, KM, KN, KP, KR,

KZ, LA, LC, LK, LR, LS, LT, LU, LY, MA, MD, ME, MG, MK, MN, MW, MX, MY, MZ, NA, NG, NI, NO, NZ, OM, PE, PG, PH, PL, PT, QA, RO, RS, RU, RW, SC, SD, SE, SG, SK, SL, SM, ST, SV, SY, TH, TJ, TM, TN, TR, TT, TZ, UA, UG, US, UZ, VC, VN, ZA, ZM, ZW.

- (84) **Designated States (unless otherwise indicated, for every kind of regional protection available):** ARIPO (BW, GH, GM, KE, LR, LS, MW, MZ, NA, RW, SD, SL, SZ, TZ, UG, ZM, ZW), Eurasian (AM, AZ, BY, KG, KZ, RU, TJ, TM), European (AL, AT, BE, BG, CH, CY, CZ, DE, DK, EE, ES, FI, FR, GB, GR, HR, HU, IE, IS, IT, LT, LU, LV, MC, MK, MT, NL, NO, PL, PT, RO, RS, SE, SI, SK, SM, TR), OAPI (BF, BJ, CF, CG, CI, CM, GA, GN, GQ, GW, ML, MR, NE, SN, TD, TG).

Declarations under Rule 4.17:

- as to applicant's entitlement to apply for and be granted a patent (Rule 4.17(ii))
- as to the applicant's entitlement to claim the priority of the earlier application (Rule 4.17(iii))
- of inventorship (Rule 4.17(iv))

Published:

- with international search report (Art. 21(3))
- before the expiration of the time limit for amending the claims and to be republished in the event of receipt of amendments (Rule 48.2(h))

- (88) **Date of publication of the international search report:**
30 May 2013

(54) **Title:** PANEL AND COVERING ASSEMBLED FROM SUCH PANELS

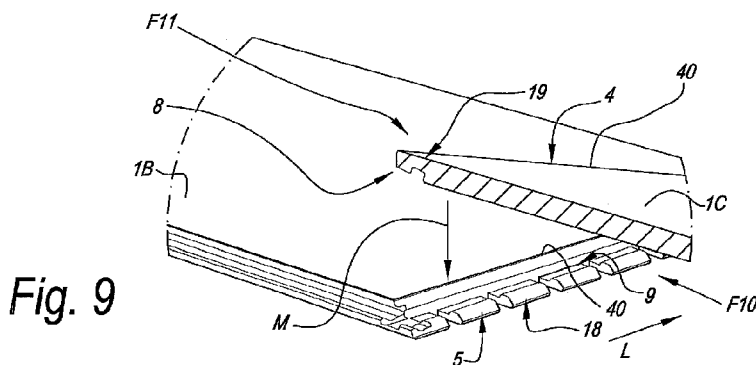


Fig. 9

(57) **Abstract:** Floor panel, that is preferably rectangular and/or oblong, having at least two opposite edges (4-5), wherein these edges are profiled, wherein a first one of said opposite edges (4) is profiled such that said first one of said opposite edges comprises at least a protrusion (28) along the length (L) of the edge, wherein a second one of said opposite edges (5) is profiled such that said second one of said opposite edges comprises at least one excavation (29) along the length (L) of the edge, wherein two of such floor panels (1) can be brought into a coupled condition by introducing the protrusion (28) of said first one of said two opposite edges of a first panel in the excavation (29) of said second one of said two opposite edges of a second panel, wherein in said coupled condition said two panels (1) at the respective edges are locked to each other at least in a vertical direction (V1) perpendicular to the main plane of the coupled panels and in a horizontal direction (H2) in the main plane of the coupled panels and perpendicular to the coupled edges.



INTERNATIONAL SEARCH REPORT

International application No PCT/IB2012/053691
--

A. CLASSIFICATION OF SUBJECT MATTER INV. E04F15/02 E04F15/10 ADD.		
According to International Patent Classification (IPC) or to both national classification and IPC		
B. FIELDS SEARCHED		
Minimum documentation searched (classification system followed by classification symbols) E04F		
Documentation searched other than minimum documentation to the extent that such documents are included in the fields searched		
Electronic data base consulted during the international search (name of data base and, where practicable, search terms used) EPO-Internal, WPI Data		
C. DOCUMENTS CONSIDERED TO BE RELEVANT		
Category*	Citation of document, with indication, where appropriate, of the relevant passages	Relevant to claim No.
X	WO 2011/077311 A2 (FLOORING IND LTD SARL [LU]; CAPPELLE MARK [BE]) 30 June 2011 (2011-06-30) cited in the application figures 6-15 page 19, line 37 - line 30 page 21, line 23 page 22, line 14 - line 22 page 23, line 21 - line 30 page 26, line 21 - line 35 -----	1-9
X	DE 10 2007 020271 A1 (HIPPER AUGUST [DE]) 7 August 2008 (2008-08-07) figure all paragraphs [0050], [0053], [0057], [0058], [0062] ----- -/--	1-5,8,9
<input checked="" type="checkbox"/> Further documents are listed in the continuation of Box C. <input checked="" type="checkbox"/> See patent family annex.		
* Special categories of cited documents :		
"A" document defining the general state of the art which is not considered to be of particular relevance "E" earlier application or patent but published on or after the international filing date "L" document which may throw doubts on priority claim(s) or which is cited to establish the publication date of another citation or other special reason (as specified) "O" document referring to an oral disclosure, use, exhibition or other means "P" document published prior to the international filing date but later than the priority date claimed	"T" later document published after the international filing date or priority date and not in conflict with the application but cited to understand the principle or theory underlying the invention "X" document of particular relevance; the claimed invention cannot be considered novel or cannot be considered to involve an inventive step when the document is taken alone "Y" document of particular relevance; the claimed invention cannot be considered to involve an inventive step when the document is combined with one or more other such documents, such combination being obvious to a person skilled in the art "&" document member of the same patent family	
Date of the actual completion of the international search	Date of mailing of the international search report	
21 December 2012	20/03/2013	
Name and mailing address of the ISA/ European Patent Office, P.B. 5818 Patentlaan 2 NL - 2280 HV Rijswijk Tel. (+31-70) 340-2040, Fax: (+31-70) 340-3016	Authorized officer Warthmüller, Almut	

INTERNATIONAL SEARCH REPORT

International application No PCT/IB2012/053691

C(Continuation). DOCUMENTS CONSIDERED TO BE RELEVANT

Category*	Citation of document, with indication, where appropriate, of the relevant passages	Relevant to claim No.
X	WO 2010/086084 A1 (FLOORING TECHNOLOGIES LTD [MT]; BRAUN ROGER [CH]) 5 August 2010 (2010-08-05) figures 1-8 page 7, last paragraph page 8, paragraph 2 page 9, paragraph 1 -----	1-5,7-9

INTERNATIONAL SEARCH REPORT

International application No.
PCT/IB2012/053691

Box No. II Observations where certain claims were found unsearchable (Continuation of item 2 of first sheet)

This international search report has not been established in respect of certain claims under Article 17(2)(a) for the following reasons:

1. Claims Nos.:
because they relate to subject matter not required to be searched by this Authority, namely:

2. Claims Nos.:
because they relate to parts of the international application that do not comply with the prescribed requirements to such an extent that no meaningful international search can be carried out, specifically:

3. Claims Nos.:
because they are dependent claims and are not drafted in accordance with the second and third sentences of Rule 6.4(a).

Box No. III Observations where unity of invention is lacking (Continuation of item 3 of first sheet)

This International Searching Authority found multiple inventions in this international application, as follows:

see additional sheet

1. As all required additional search fees were timely paid by the applicant, this international search report covers all searchable claims.

2. As all searchable claims could be searched without effort justifying an additional fees, this Authority did not invite payment of additional fees.

3. As only some of the required additional search fees were timely paid by the applicant, this international search report covers only those claims for which fees were paid, specifically claims Nos.:

4. No required additional search fees were timely paid by the applicant. Consequently, this international search report is restricted to the invention first mentioned in the claims; it is covered by claims Nos.:

see additional sheet(s)

Remark on Protest

- The additional search fees were accompanied by the applicant's protest and, where applicable, the payment of a protest fee.
- The additional search fees were accompanied by the applicant's protest but the applicable protest fee was not paid within the time limit specified in the invitation.
- No protest accompanied the payment of additional search fees.

FURTHER INFORMATION CONTINUED FROM PCT/ISA/ 210

This International Searching Authority found multiple (groups of) inventions in this international application, as follows:

1. claims: 1-9

Floor panel according to claim 1, features of the excavation and protrusion.

2. claims: 10-29

Floor panel according to claim 1, features of the print layer of the panel.

INTERNATIONAL SEARCH REPORT

Information on patent family members

International application No PCT/IB2012/053691

Patent document cited in search report	Publication date	Patent family member(s)	Publication date
WO 2011077311 A2	30-06-2011	CA 2784227 A1	30-06-2011
		CN 102753772 A	24-10-2012
		EP 2339092 A1	29-06-2011
		EP 2516768 A2	31-10-2012
		US 2012266555 A1	25-10-2012
		WO 2011077311 A2	30-06-2011

DE 102007020271 A1	07-08-2008	NONE	

WO 2010086084 A1	05-08-2010	AT 548528 T	15-03-2012
		CA 2723913 A1	05-08-2010
		CA 2785051 A1	05-08-2010
		CN 102046899 A	04-05-2011
		EP 2213812 A1	04-08-2010
		ES 2383934 T3	27-06-2012
		JP 5096617 B2	12-12-2012
		JP 2011528761 A	24-11-2011
		PL 2213812 T3	31-07-2012
		RU 2010143283 A	27-04-2012
		US 2011094178 A1	28-04-2011
		WO 2010086084 A1	05-08-2010
