



US00D725399S

(12) **United States Design Patent**
Wang

(10) **Patent No.:** **US D725,399 S**

(45) **Date of Patent:** **** Mar. 31, 2015**

(54) **HANGING STORAGE SHELF UNIT**

(71) Applicant: **Wen-Tsan Wang**, Taipei (TW)

(72) Inventor: **Wen-Tsan Wang**, Taipei (TW)

(**) Term: **14 Years**

(21) Appl. No.: **29/487,315**

(22) Filed: **Apr. 8, 2014**

(51) **LOC (10) Cl.** **06-06**

(52) **U.S. Cl.**
USPC **D6/514**

(58) **Field of Classification Search**
USPC D6/512-514, 524-525, 552-553,
D6/567-570, 315, 317-320, 323, 326;
D3/201, 203.1, 205, 903, 278;
206/730, 214, 575, 579, 581, 38, 6.1,
206/278-279, 287-289, 291; 211/13.1, 10,
211/85.2, 85.3, 85.7, 35, 41.12, 70.6, 86.01,
211/87.01, 113; 248/300, 304, 309.1, 317

See application file for complete search history.

(56) **References Cited**

U.S. PATENT DOCUMENTS

D30,064 S *	1/1899	Andreen	D6/514
D247,695 S *	4/1978	Bratton	D6/514
4,295,432 A *	10/1981	Hulke	D6/514
6,732,659 B2 *	5/2004	Poon	211/113
D606,334 S *	12/2009	Clark et al.	D6/514
D679,121 S *	4/2013	Malone	D6/514

* cited by examiner

Primary Examiner — Brian N Vinson

(74) *Attorney, Agent, or Firm* — Leong C. Lei

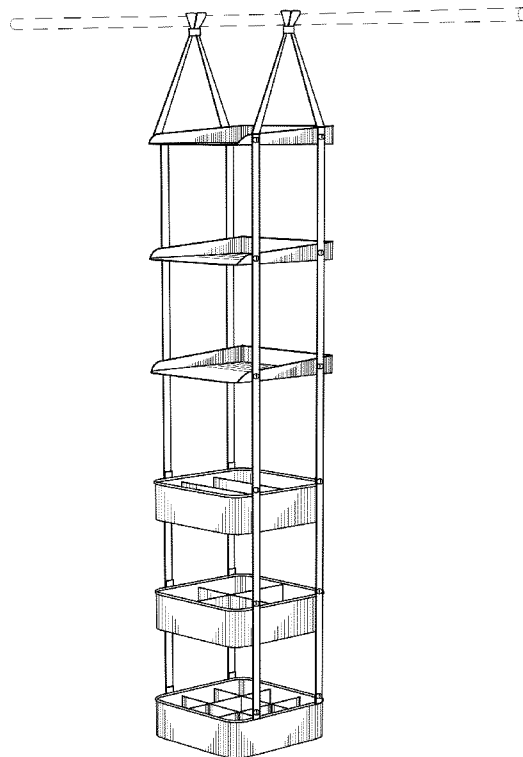
(57) **CLAIM**

The ornamental design for a hanging storage shelf unit, as shown and described.

DESCRIPTION

FIG. 1 is a perspective view of a hanging storage shelf unit showing my new design;
FIG. 2 is a front elevational view thereof;
FIG. 3 is a rear elevational view thereof;
FIG. 4 is a left side elevational view thereof;
FIG. 5 is a right side elevational view thereof;
FIG. 6 is a top plan view thereof; and,
FIG. 7 is a bottom plan view thereof.
The portions shown in broken lines form no part of the claimed design.

1 Claim, 6 Drawing Sheets



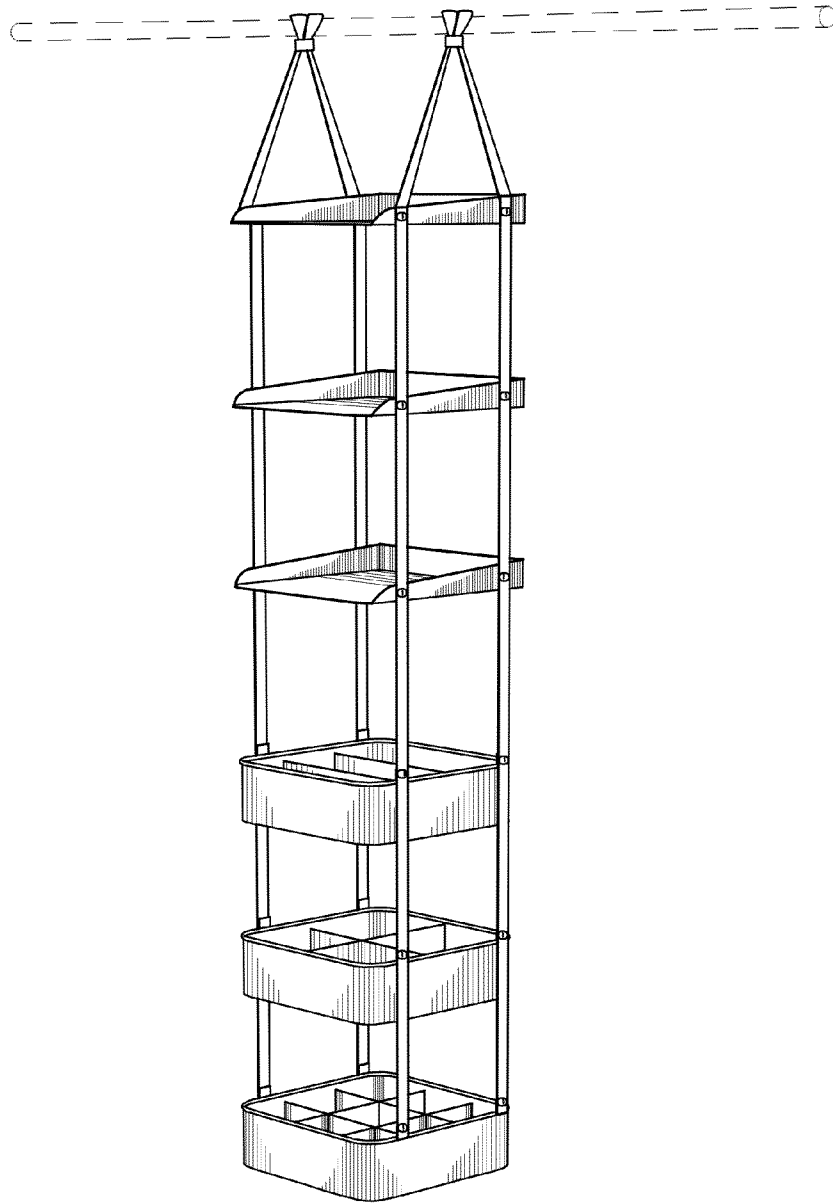


FIG. 1

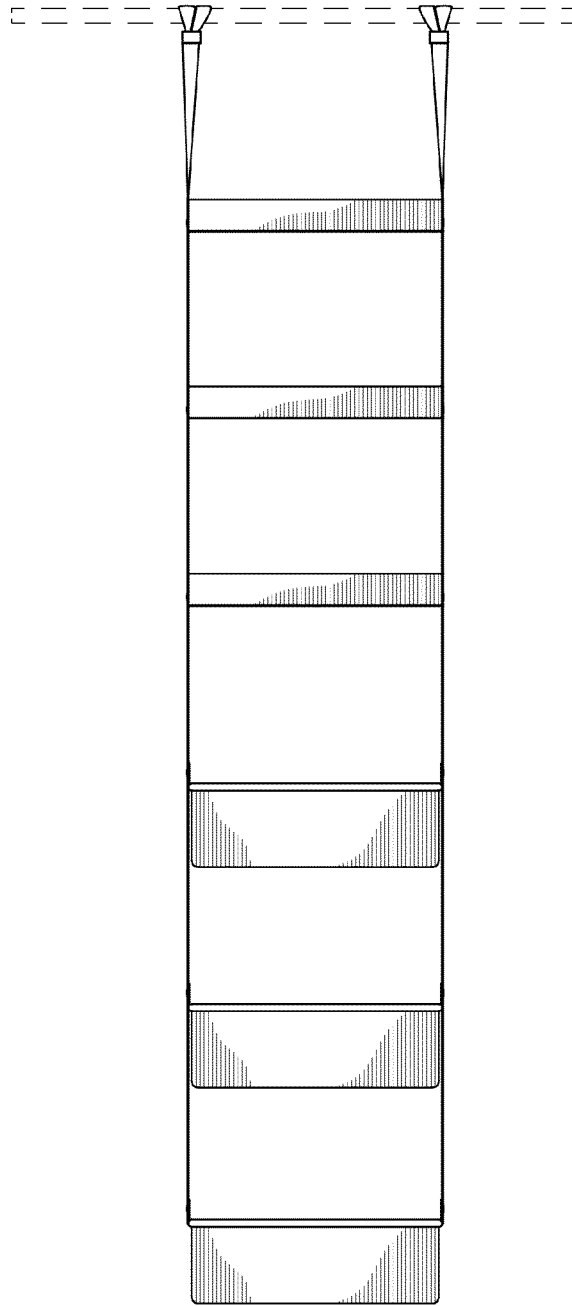


FIG. 2

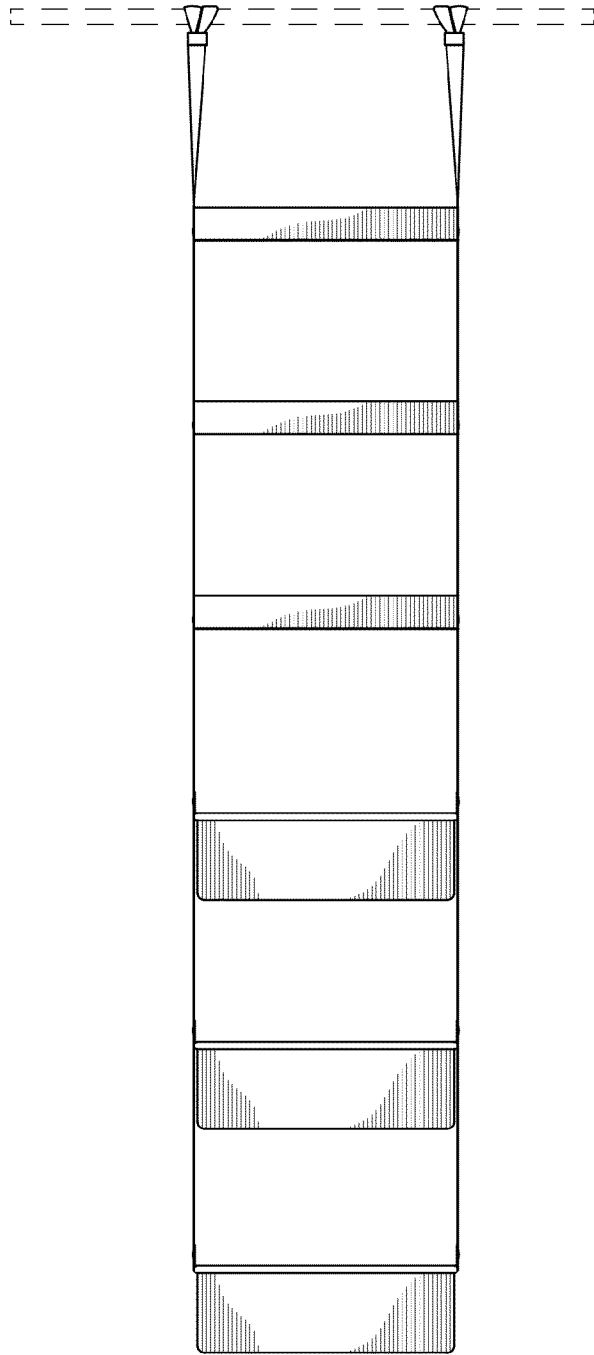


FIG. 3

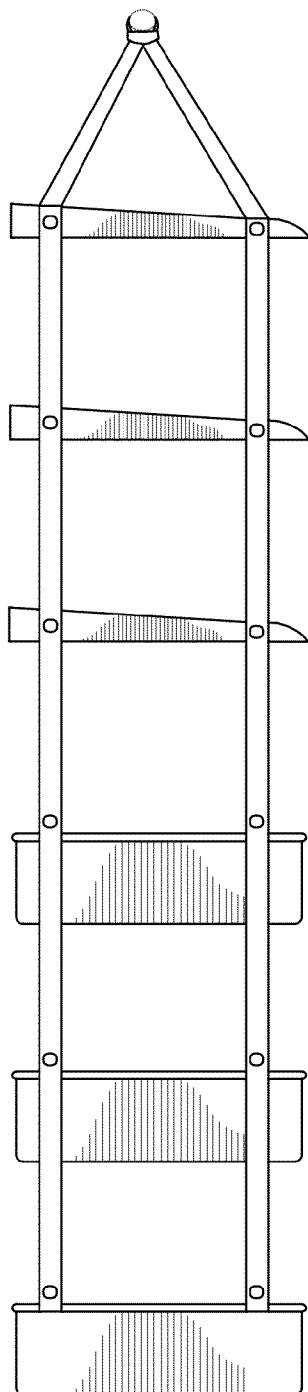


FIG. 4

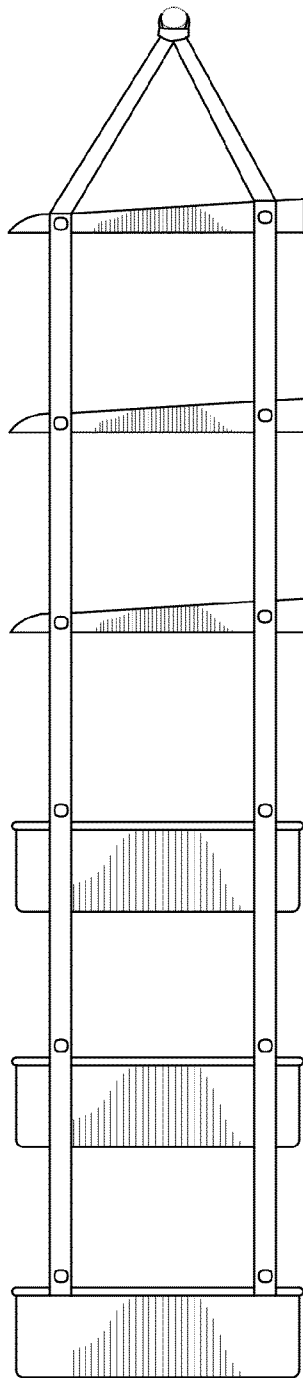


FIG. 5

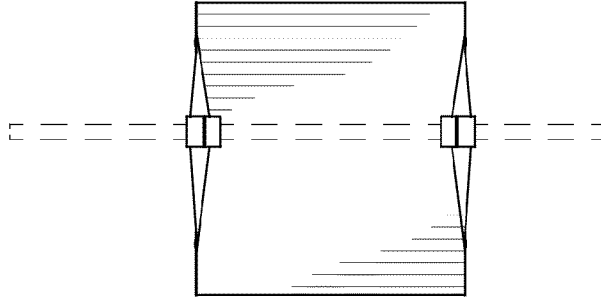


FIG. 6

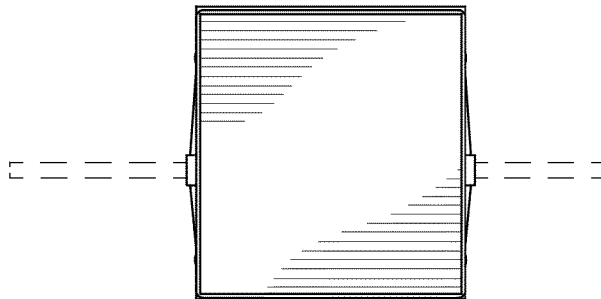


FIG. 7