

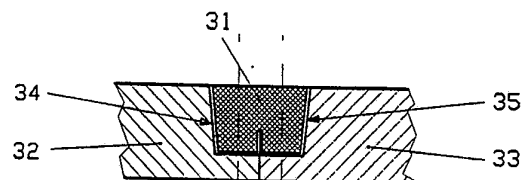
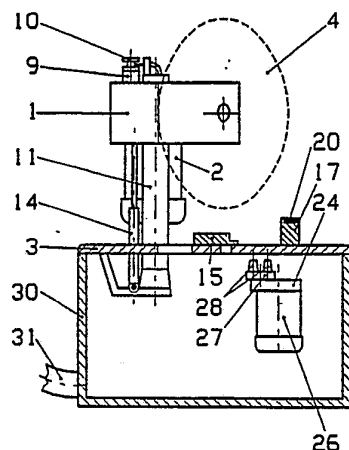


DEMANDE INTERNATIONALE PUBLIÉE EN VERTU DU TRAITE DE COOPERATION EN MATIÈRE DE BREVETS (PCT)

<p>(51) Classification internationale des brevets ⁵ : E06B 3/964, A47G 1/10 F16B 12/24, E04F 19/02 F16B 3/00, B23D 45/14, 45/02 B23G 5/00, B23D 47/12 B27G 3/00</p>	A3	<p>(11) Numéro de publication internationale: WO 90/09505</p> <p>(43) Date de publication internationale: 23 août 1990 (23.08.90)</p>
<p>(21) Numéro de la demande internationale: PCT/FR90/00081</p> <p>(22) Date de dépôt international: 2 février 1990 (02.02.90)</p> <p>(30) Données relatives à la priorité: 89/01854 9 février 1989 (09.02.89) FR 89/07756 7 juin 1989 (07.06.89) FR</p> <p>(71)(72) Déposant et inventeur: RAPAYELIAN, Christian [FR/FR]; 59, boulevard Louis-Fournier, F-13012 Marseille (FR).</p> <p>(74) Mandataire: CABINET ROMAN; 35, rue Paradis, F-13001 Marseille (FR).</p>		<p>(81) Etats désignés: AT (brevet européen), BE (brevet européen), CH (brevet européen), DE (brevet européen), DK (brevet européen), ES (brevet européen), FR (brevet européen), GB (brevet européen), IT (brevet européen), JP, LU (brevet européen), NL (brevet européen), SE (brevet européen), US.</p> <p>Publiée <i>Avec rapport de recherche internationale. Avant l'expiration du délai prévu pour la modification des revendications, sera republiée si de telles modifications sont reçues.</i></p> <p>(88) Date de publication du rapport de recherche internationale: 29 novembre 1990 (29.11.90)</p>

(54) Title: DEVICE FOR ASSEMBLING FRAMES AND FRAME MOULDINGS AND MACHINE FOR CUTTING MITRE JOINTS FOR IMPLEMENTATION OF SAID DEVICE

(54) Titre: DISPOSITIF D'ASSEMBLAGE DE CADRES ET MOULURES D'ENCADREMENT ET MACHINE A COUPER D'ONGLET POUR LA MISE EN ŒUVRE DU DISPOSITIF



(57) Abstract

A device (31) for assembling frames and frame mouldings which utilizes a monolithic assembly part (31) forming a double tenon, and having the shape of two identical circular truncated cones whose height is essentially equal to three quarters of the thickness of the parts (32, 33) to be assembled. Said assembly part is inserted into the blind drilling holes (34, 35) of a corresponding form provided on the edge of the joint surfaces of the parts to be assembled. It is designed for assembling, with or without glue, wooden parts or other materials, such as frame moulds, comprising mitre joints. The machine for cutting mitre joints for the implementation of said assembly device (31) includes a sealed housing (1) provided with two circular saw blades (4, 5) perpendicular between themselves and operated by a single motor (2). The housing is vertically mobile in relation to a work surface (3) provided with means for securing the part to be cut. Two conical milling cutters (28) located under the work surface together bore the holes (34, 35) in the parts (32, 33) to be assembled.

(57) **Abrégé** La présente application est constituée d'un dispositif d'assemblage (31) de cadres et moulures d'encadrement, qui utilise une pièce d'assemblage monolithique (31) formant un double tenon, et a la forme de deux troncs de cône circulaires identiques d'une hauteur sensiblement égale aux trois-quarts de l'épaisseur des pièces (32, 33) à assembler. Ladite pièce d'assemblage est introduite dans des perçages borgnes (34, 35) de forme correspondante prévus en bordure des surfaces de jonction des pièces à assembler. Il est destiné à l'assemblage avec ou sans collage des pièces de menuiserie en bois ou autres matériaux, telles que moulures d'encadrement, coupées d'onglet. La machine à couper d'onglet pour la mise en œuvre du dispositif d'assemblage (31) comporte un carter étanche (1) équipé de deux lames de scie circulaires (4, 5) perpendiculaires entre elles et entraînées par un moteur unique (2). Le carter est mobile verticalement par rapport à un plan de travail (3) équipé de moyens de fixation (15, 16) de la pièce à découper. Deux fraises coniques (28) situées sous le plan de travail assurent simultanément les perçages (34, 35) des pièces (32, 33) à assembler.

UNIQUEMENT A TITRE D'INFORMATION

Codes utilisés pour identifier les Etats parties au PCT, sur les pages de couverture des brochures publiant des demandes internationales en vertu du PCT.

AT	Autriche	ES	Espagne	MG	Madagascar
AU	Australie	FI	Finlande	ML	Mali
BB	Barbade	FR	France	MR	Mauritanie
BE	Belgique	GA	Gabon	MW	Malawi
BF	Burkina Faso	GB	Royaume-Uni	NL	Pays-Bas
BG	Bulgarie	HU	Hongrie	NO	Norvège
BJ	Bénin	IT	Italie	RO	Roumanie
BR	Brazil	JP	Japon	SD	Soudan
CA	Canada	KP	République populaire démocratique de Corée	SE	Suède
CF	République Centrafricaine	KR	République de Corée	SN	Sénégal
CG	Congo	LI	Liechtenstein	SU	Union soviétique
CH	Suisse	LK	Sri Lanka	TD	Tchad
CM	Cameroun	LU	Luxembourg	TG	Togo
DE	Allemagne, République fédérale d'	MC	Monaco	US	Etats-Unis d'Amérique
DK	Danemark				

INTERNATIONAL SEARCH REPORT

International Application No PCT/FR 90/00081

I. CLASSIFICATION OF SUBJECT MATTER (if several classification symbols apply, indicate all) *				
According to International Patent Classification (IPC) or to both National Classification and IPC E 06 B 3/964, A 47 G 1/10, F 16 B 12/24, E 04 F 19/02, IPC ⁵ : F 16 B 3/00, B 23 D 45/14, B 23 D 45/02, B 23 G 5/00, ./.				
II. FIELDS SEARCHED				
Minimum Documentation Searched ⁷				
Classification System	Classification Symbols			
IPC ⁵	F 16 B, B 23 D, B 27 G			
Documentation Searched other than Minimum Documentation to the Extent that such Documents are Included in the Fields Searched ⁸				
III. DOCUMENTS CONSIDERED TO BE RELEVANT *				
Category [*]	Citation of Document, ¹¹ with indication, where appropriate, of the relevant passages ¹²	Relevant to Claim No. ¹³		
X	FR, A, 2425010 (DE FOUCAULT) 30 November 1979 see the whole document --	1-3		
A	US, A, 3425721 (AGEE) 4 February 1969 see the whole document --	1-3		
A	US, A, 4493583 (WALLACE) 15 January 1985 --			
A	FR, A, 1457095 (EPIVENT) 28 October 1966 --			
A	FR, A, 2177408 (HERBERT) 2 November 1973 --			
A	US, A, 2735146 (PURVIANCE) 21 February 1956 --			
A	GB, A, 334046 (OGILVY) 18 September 1930 see page 1, lines 11-18, 58-70, 81-87, --	4		
<table style="width: 100%; border: none;"> <tr> <td style="width: 50%; border: none; vertical-align: top;"> <p>* Special categories of cited documents: ¹⁰</p> <p>"A" document defining the general state of the art which is not considered to be of particular relevance</p> <p>"E" earlier document but published on or after the international filing date</p> <p>"L" document which may throw doubts on priority claim(s) or which is cited to establish the publication date of another citation or other special reason (as specified)</p> <p>"O" document referring to an oral disclosure, use, exhibition or other means</p> <p>"P" document published prior to the international filing date but later than the priority date claimed</p> </td> <td style="width: 50%; border: none; vertical-align: top;"> <p>"T" later document published after the international filing date or priority date and not in conflict with the application but cited to understand the principle or theory underlying the invention</p> <p>"X" document of particular relevance; the claimed invention cannot be considered novel or cannot be considered to involve an inventive step</p> <p>"Y" document of particular relevance; the claimed invention cannot be considered to involve an inventive step when the document is combined with one or more other such documents, such combination being obvious to a person skilled in the art.</p> <p>"&" document member of the same patent family</p> </td> </tr> </table>			<p>* Special categories of cited documents: ¹⁰</p> <p>"A" document defining the general state of the art which is not considered to be of particular relevance</p> <p>"E" earlier document but published on or after the international filing date</p> <p>"L" document which may throw doubts on priority claim(s) or which is cited to establish the publication date of another citation or other special reason (as specified)</p> <p>"O" document referring to an oral disclosure, use, exhibition or other means</p> <p>"P" document published prior to the international filing date but later than the priority date claimed</p>	<p>"T" later document published after the international filing date or priority date and not in conflict with the application but cited to understand the principle or theory underlying the invention</p> <p>"X" document of particular relevance; the claimed invention cannot be considered novel or cannot be considered to involve an inventive step</p> <p>"Y" document of particular relevance; the claimed invention cannot be considered to involve an inventive step when the document is combined with one or more other such documents, such combination being obvious to a person skilled in the art.</p> <p>"&" document member of the same patent family</p>
<p>* Special categories of cited documents: ¹⁰</p> <p>"A" document defining the general state of the art which is not considered to be of particular relevance</p> <p>"E" earlier document but published on or after the international filing date</p> <p>"L" document which may throw doubts on priority claim(s) or which is cited to establish the publication date of another citation or other special reason (as specified)</p> <p>"O" document referring to an oral disclosure, use, exhibition or other means</p> <p>"P" document published prior to the international filing date but later than the priority date claimed</p>	<p>"T" later document published after the international filing date or priority date and not in conflict with the application but cited to understand the principle or theory underlying the invention</p> <p>"X" document of particular relevance; the claimed invention cannot be considered novel or cannot be considered to involve an inventive step</p> <p>"Y" document of particular relevance; the claimed invention cannot be considered to involve an inventive step when the document is combined with one or more other such documents, such combination being obvious to a person skilled in the art.</p> <p>"&" document member of the same patent family</p>			
IV. CERTIFICATION				
Date of the Actual Completion of the International Search	Date of Mailing of this International Search Report			
10 October 1990 (10.10.90)	7 November 1990 (07.11.90)			
International Searching Authority	Signature of Authorized Officer			
European Patent Office				

INTERNATIONAL SEARCH REPORT

International Application No PCT/FR 90/00081

I. CLASSIFICATION OF SUBJECT MATTER (if several classification symbols apply, indicate all) ⁶		
According to International Patent Classification (IPC) or to both National Classification and IPC		
IPC ⁵ : B 23 D 47/12, B 27 G 3/00		
II. FIELDS SEARCHED		
Minimum Documentation Searched ⁷		
Classification System	Classification Symbols	
IPC ⁵		
Documentation Searched other than Minimum Documentation to the Extent that such Documents are Included in the Fields Searched ⁸		
III. DOCUMENTS CONSIDERED TO BE RELEVANT ⁹		
Category *	Citation of Document, ¹¹ with Indication, where appropriate, of the relevant passages ¹²	Relevant to Claim No. ¹³
	99-106; page 2, lines 24-39; figures 1,2	
A	US, A, 3298097 (GILBERT) 17 January 1967 see column 1, lines 41-46; column 2, lines 11-15; column 3, lines 48-57; figures 1,5	4,7
A	GB, A, 281835 (WILLIAMS) 5 January 1928 see page 1, lines 62-89; figures 1-3	5,8
A	US, A, 2784750 (THOMAS) 12 March 1957 see column 1, lines 39-42	5
A	DE, U, 8407494 (KIMMERTZ) 26 June 1987 see claim 1; figures 1-6	6
A	US, A, 4219061 (DUGGINS) 26 August 1980 see column 1, lines 36-50; column 1,./.	6
<p>* Special categories of cited documents: ¹⁰</p> <p>"A" document defining the general state of the art which is not considered to be of particular relevance</p> <p>"E" earlier document but published on or after the international filing date</p> <p>"L" document which may throw doubts on priority claim(s) or which is cited to establish the publication date of another citation or other special reason (as specified)</p> <p>"O" document referring to an oral disclosure, use, exhibition or other means</p> <p>"P" document published prior to the international filing date but later than the priority date claimed</p> <p>"T" later document published after the international filing date or priority date and not in conflict with the application but cited to understand the principle or theory underlying the invention</p> <p>"X" document of particular relevance; the claimed invention cannot be considered novel or cannot be considered to involve an inventive step</p> <p>"Y" document of particular relevance; the claimed invention cannot be considered to involve an inventive step when the document is combined with one or more other such documents, such combination being obvious to a person skilled in the art.</p> <p>"&" document member of the same patent family</p>		
IV. CERTIFICATION		
Date of the Actual Completion of the International Search	Date of Mailing of this International Search Report	
	7 November 1990 (07.11.90)	
International Searching Authority	Signature of Authorized Officer	
European Patent Office		

III. DOCUMENTS CONSIDERED TO BE RELEVANT (CONTINUED FROM THE SECOND SHEET)		
Category*	Citation of Document, with indication, where appropriate, of the relevant passages	Relevant to Claim No
	line 62 - column 2, line 14; column 2, line 57 - column 3, line 63; column 4, lines 3-8	
A	-- FR, A, 1442870 (EISELE) 1966 see page 2, right-hand column, paragraph 6, complete; figures 1,2	8
A	-- DE, C, 766255 (NEUFANG) 22 December 1952 see page 2, lines 79-89; figures 1,2	9
A	-- DE, A, 1905315 (HERMS) 6 August 1970 see page 5, lines 9-12; figure 1	9

FURTHER INFORMATION CONTINUED FROM THE SECOND SHEET

V. OBSERVATIONS WHERE CERTAIN CLAIMS WERE FOUND UNSEARCHABLE ¹

This international search report has not been established in respect of certain claims under Article 17(2) (a) for the following reasons:

1. Claim numbers because they relate to subject matter not required to be searched by this Authority, namely:

2. Claim numbers because they relate to parts of the international application that do not comply with the prescribed requirements to such an extent that no meaningful international search can be carried out, specifically:

3. Claim numbers because they are dependent claims and are not drafted in accordance with the second and third sentences of PCT Rule 6.4(a).

VI. OBSERVATIONS WHERE UNITY OF INVENTION IS LACKING ²

This International Searching Authority found multiple inventions in this international application as follows:

1. Claims 1-3: Monolithic assembly device in the shape of two truncated cones
2. Claims 4-9: Tab cutting machine

1. As all required additional search fees were timely paid by the applicant, this international search report covers all searchable claims of the international application.

2. As only some of the required additional search fees were timely paid by the applicant, this international search report covers only those claims of the international application for which fees were paid, specifically claims:

3. No required additional search fees were timely paid by the applicant. Consequently, this international search report is restricted to the invention first mentioned in the claims; it is covered by claim numbers:

4. As all searchable claims could be searched without effort justifying an additional fee, the International Searching Authority did not invite payment of any additional fee.

Remark on Protest

The additional search fees were accompanied by applicant's protest.

No protest accompanied the payment of additional search fees.

**ANNEX TO THE INTERNATIONAL SEARCH REPORT
ON INTERNATIONAL PATENT APPLICATION NO.**

FR 9000081


SA 34582

This annex lists the patent family members relating to the patent documents cited in the above-mentioned international search report. The members are as contained in the European Patent Office EDP file on 29/10/90. The European Patent Office is in no way liable for these particulars which are merely given for the purpose of information.

Patent document cited in search report	Publication date	Patent family member(s)	Publication date
FR-A- 2425010	30-11-79	None	
US-A- 3425721	04-02-69	None	
US-A- 4493583	15-01-85	CA-A- 1222118 US-A- 4593734	26-05-87 10-06-86
FR-A- 1457095		None	
FR-A- 2177408	02-11-73	DE-A, B, C 2214025	04-10-73
US-A- 2735146		None	
GB-A- 334046		None	
US-A- 3298097		None	
GB-A- 281835		None	
US-A- 2784750		None	
DE-U- 8407494	25-06-87	None	
US-A- 4219061	26-08-80	None	
FR-A- 1442870		None	
DE-C- 766255		None	
DE-A- 1905315	06-08-70	None	


RAPPORT DE RECHERCHE INTERNATIONALE

Demande internationale N° PCT/FR 90/00081

I. CLASSEMENT DE L'INVENTION (si plusieurs symboles de classification sont applicables, les indiquer tous) ⁷		
Selon la classification internationale des brevets (CIB) ou à la fois selon la classification nationale et la CIB		
CIB ⁵ : E 06 B 3/964, A 47 G 1/10, F 16 B 12/24, E 04 F 19/02, F 16 B 3/00, B 23 D 45/14, B 23 D 45/02, B 23 G 5/00, ./.		
II. DOMAINES SUR LESQUELS LA RECHERCHE A PORTÉ		
Documentation minimale consultée ⁸		
Système de classification	Symboles de classification	
CIB ⁵	F 16 B, B 23 D, B 27 G	
Documentation consultée autre que la documentation minimale dans la mesure où de tels documents font partie des domaines sur lesquels la recherche a porté ⁹		
III. DOCUMENTS CONSIDÉRÉS COMME PERTINENTS ¹⁰		
Catégorie [*]	Identification des documents cités, ¹¹ avec indication, si nécessaire, des passages pertinents ¹²	N° des revendications visées ¹³
X	FR, A, 2425010 (DE FOUCAULT) 30 novembre 1979 voir le document en entier --	1-3
A	US, A, 3425721 (AGEE) 4 février 1969 voir le document en entier --	1-3
A	US, A, 4493583 (WALLACE) 15 janvier 1985 --	
A	FR, A, 1457095 (EPIVENT) 28 octobre 1966 --	
A	FR, A, 2177408 (HERBERT) 2 novembre 1973 --	
A	US, A, 2735146 (PURVIANCE) 21 février 1956 --	
	./.	
<p>[*] Catégories spéciales de documents cités: ¹¹</p> <p>« A » document définissant l'état général de la technique, non considéré comme particulièrement pertinent</p> <p>« E » document antérieur, mais publié à la date de dépôt international ou après cette date</p> <p>« L » document pouvant jeter un doute sur une revendication de priorité ou cité pour déterminer la date de publication d'une autre citation ou pour une raison spéciale (telle qu'indiquée)</p> <p>« O » document se référant à une divulgation orale, à un usage, à une exposition ou tous autres moyens</p> <p>« P » document publié avant la date de dépôt international, mais postérieurement à la date de priorité revendiquée</p> <p>« T » document ultérieur publié postérieurement à la date de dépôt international ou à la date de priorité et n'appartenant pas à l'état de la technique pertinent, mais cité pour comprendre le principe ou la théorie constituant la base de l'invention</p> <p>« X » document particulièrement pertinent: l'invention revendiquée ne peut être considérée comme nouvelle ou comme impliquant une activité inventive</p> <p>« Y » document particulièrement pertinent: l'invention revendiquée ne peut être considérée comme impliquant une activité inventive lorsque le document est associé à un ou plusieurs autres documents de même nature, cette combinaison étant évidente pour une personne du métier.</p> <p>« & » document qui fait partie de la même famille de brevets</p>		
IV. CERTIFICATION		
Date à laquelle la recherche internationale a été effectivement achevée	Date d'expédition du présent rapport de recherche internationale	
10 octobre 1990	07. 11. 90	
Administration chargée de la recherche internationale	Signature du fonctionnaire autorisé	
OFFICE EUROPEEN DES BREVETS	 Isabelle Weinberg	

RAPPORT DE RECHERCHE INTERNATIONALE

Demande internationale N° PCT/FR 90/00081⁻²⁻

I. CLASSEMENT DE L'INVENTION (si plusieurs symboles de classification sont applicables, les indiquer tous) ⁷		
Selon la classification internationale des brevets (CIB) ou à la fois selon la classification nationale et la CIB		
CIB ⁵ : B 23 D 47/12, B 27 G 3/00		
II. DOMAINES SUR LESQUELS LA RECHERCHE A PORTÉ		
Documentation minimale consultée ⁸		
Système de classification	Symboles de classification	
CIB ⁵		
Documentation consultée autre que la documentation minimale dans la mesure où de tels documents font partie des domaines sur lesquels la recherche a porté ⁹		
III. DOCUMENTS CONSIDÉRÉS COMME PERTINENTS ¹⁰		
Catégorie ⁶	Identification des documents cités, ¹¹ avec indication, si nécessaire, des passages pertinents ¹²	N° des revendications visées ¹³
A	GB, A, 334046 (OGILVY) 18 septembre 1930 voir page 1, lignes 11-18, 58-70, 81-87, 99-106; page 2, lignes 24-39; figures 1, 2 --	4
A	US, A, 3298097 (GILBERT) 17 janvier 1967 voir colonne 1, lignes 41-46; colonne 2, lignes 11-15; colonne 3, lignes 48-57; figures 1, 5 --	4, 7
A	GB, A, 281835 (WILLIAMS) 5 janvier 1928 voir page 1, lignes 62-89; figures 1-3 --	5, 8
A	US, A, 2784750 (THOMAS) 12 mars 1957 voir colonne 1, lignes 39-42 --	5
./.		
<p>⁶ Catégories spéciales de documents cités: ¹¹</p> <p>«A» document définissant l'état général de la technique, non considéré comme particulièrement pertinent</p> <p>«E» document antérieur, mais publié à la date de dépôt international ou après cette date</p> <p>«L» document pouvant jeter un doute sur une revendication de priorité ou cité pour déterminer la date de publication d'une autre citation ou pour une raison spéciale (telle qu'indiquée)</p> <p>«O» document se référant à une divulgation orale, à un usage, à une exposition ou tous autres moyens</p> <p>«P» document publié avant la date de dépôt international, mais postérieurement à la date de priorité revendiquée</p> <p>«T» document ultérieur publié postérieurement à la date de dépôt international ou à la date de priorité et n'appartenant pas à l'état de la technique pertinent, mais cité pour comprendre le principe ou la théorie constituant la base de l'invention</p> <p>«X» document particulièrement pertinent: l'invention revendiquée ne peut être considérée comme nouvelle ou comme impliquant une activité inventive</p> <p>«Y» document particulièrement pertinent: l'invention revendiquée ne peut être considérée comme impliquant une activité inventive lorsque le document est associé à un ou plusieurs autres documents de même nature, cette combinaison étant évidente pour une personne du métier.</p> <p>«Z» document qui fait partie de la même famille de brevets</p>		
IV. CERTIFICATION		
Date à laquelle la recherche internationale a été effectivement achevée	Date d'expédition du présent rapport de recherche internationale 07. 11. 90	
Administration chargée de la recherche internationale OFFICE EUROPEEN DES BREVETS	Signature du fonctionnaire autorisé  Natalie Weinberg	

III. DOCUMENTS CONSIDÉRÉS COMME PERTINENTS		(SUITE DES RENSEIGNEMENTS INDIQUÉS SUR LA DEUXIÈME FEUILLE)
Catégorie *	Identification des documents cités, avec indication, si nécessaire, des passages pertinents	N° des revendications visées
A	DE, U, 8407494 (KIMMRITZ) 25 juin 1987 voir revendication 1; figures 1-6 --	6
A	US, A, 4219061 (DUGGINS) 26 août 1980 voir colonne 1, lignes 36-50; colonne 1, ligne 62 - colonne 2, ligne 14; colonne 2, ligne 57 - colonne 3, ligne 63; colonne 4, lignes 3-8 --	6
A	FR, A, 1442870 (EISELE) 1966 voir page 2, colonne de droite, alinéa 6, complet; figures 1,2 --	8
A	DE, C, 766255 (NEUFANG) 22 décembre 1952 voir page 2, lignes 79-89; figures 1,2 --	9
A	DE, A, 1905315 (HERMS) 6 août 1970 voir page 5, lignes 9-12; figure 1 -----	9

SUIITE DES RENSEIGNEMENTS INDIQUÉS SUR LA DEUXIÈME FEUILLE

V. OBSERVATIONS LORSQU'IL A ÉTÉ ESTIMÉ QUE CERTAINES REVENDICATIONS NE POUVAIENT PAS FAIRE L'OBJET D'UNE RECHERCHE ¹

Selon l'article 17.2) a) certaines revendications n'ont pas fait l'objet d'une recherche pour les motifs suivants:

1. Les revendications numéros se rapportent à un objet à l'égard duquel la présente administration n'a pas l'obligation de procéder à la recherche, à savoir:

2. Les revendications numéros se rapportent à des parties de la demande internationale qui ne remplissent pas les conditions prescrites dans une mesure telle qu'une recherche significative ne peut être effectuée, précisément:

3. Les revendications numéros sont des revendications dépendantes et ne sont pas rédigées conformément à la deuxième et à la troisième phrases de la règle 6.4.a) du PCT.

VI. OBSERVATIONS LORSQU'IL Y A ABSENCE D'UNITÉ DE L'INVENTION ²

L'administration chargée de la recherche internationale a trouvé plusieurs inventions dans la présente demande internationale, c'est-à-dire:

1. Revendications 1-3: Dispositif d'assemblage monolithique ayant la forme de deux troncs de cône.
2. Revendications 4-9: Machine à couper d'onglet

1. Comme toutes les taxes additionnelles demandées ont été payées dans les délais, le présent rapport de recherche internationale couvre toutes les revendications de la demande internationale pouvant faire l'objet d'une recherche.
2. Comme seulement une partie des taxes additionnelles demandées a été payée dans les délais, le présent rapport de recherche internationale couvre seulement celles des revendications de la demande pour lesquelles les taxes ont été payées, c'est-à-dire les revendications:

3. Aucune taxe additionnelle demandée n'a été payée dans les délais par le déposant. En conséquence, le présent rapport de recherche internationale est limité à l'invention mentionnée en premier dans les revendications; elle est couverte par les revendications numéros:

4. Etant donné que toutes les revendications susceptibles de faire l'objet d'une recherche le pouvaient sans effort particulier justifiant une taxe additionnelle, l'administration chargée de la recherche internationale n'a sollicité le paiement d'aucune taxe additionnelle.

Remarque quant à la réserve

- Les taxes additionnelles de recherche étaient accompagnées d'une réserve du déposant.
- Aucune réserve n'a été faite lors du paiement des taxes additionnelles de recherche.

**ANNEXE AU RAPPORT DE RECHERCHE INTERNATIONALE
RELATIF A LA DEMANDE INTERNATIONALE NO.**

FR 9000081
SA 34582

La présente annexe indique les membres de la famille de brevets relatifs aux documents brevets cités dans le rapport de recherche internationale visé ci-dessus.
Lesdits membres sont contenus au fichier informatique de l'Office européen des brevets à la date du 29/10/90
Les renseignements fournis sont donnés à titre indicatif et n'engagent pas la responsabilité de l'Office européen des brevets.

Document brevet cité au rapport de recherche	Date de publication	Membre(s) de la famille de brevet(s)	Date de publication
FR-A- 2425010	30-11-79	Aucun	
US-A- 3425721	04-02-69	Aucun	
US-A- 4493583	15-01-85	CA-A- 1222118 US-A- 4593734	26-05-87 10-06-86
FR-A- 1457095		Aucun	
FR-A- 2177408	02-11-73	DE-A, B, C 2214025	04-10-73
US-A- 2735146		Aucun	
GB-A- 334046		Aucun	
US-A- 3298097		Aucun	
GB-A- 281835		Aucun	
US-A- 2784750		Aucun	
DE-U- 8407494	25-06-87	Aucun	
US-A- 4219061	26-08-80	Aucun	
FR-A- 1442870		Aucun	
DE-C- 766255		Aucun	
DE-A- 1905315	06-08-70	Aucun	

EPO FORM P0472

Pour tout renseignement concernant cette annexe : voir Journal Officiel de l'Office européen des brevets, No.12/82