

(19) World Intellectual Property Organization
International Bureau



(43) International Publication Date
25 September 2003 (25.09.2003)

PCT

(10) International Publication Number
WO 2003/079144 A3

(51) International Patent Classification⁷: G06F 13/00

27461 Sherlock Road, Los Altos Hills, CA 94022 (US).
LIU, Chuang, Chun; 6489 Graystone Meadow Cr., San Jose, CA 95120 (US).

(21) International Application Number:
PCT/US2003/007181

(74) Agents: GRAY, Andrew, J. et al.; Pennie & Edmonds LLP, 1155 Avenue of the Americas, New York, NY 10036 (US).

(22) International Filing Date: 11 March 2003 (11.03.2003)

(25) Filing Language: English

(81) Designated States (national): AE, AG, AL, AM, AT, AU, AZ, BA, BB, BG, BR, BY, BZ, CA, CH, CN, CO, CR, CU, CZ, DE, DK, DM, DZ, EC, EE, ES, FI, GB, GD, GE, GH, GM, HR, HU, ID, IL, IN, IS, JP, KE, KG, KP, KR, KZ, LC, LK, LR, LS, LT, LU, LV, MA, MD, MG, MK, MN, MW, MX, MZ, NO, NZ, OM, PH, PL, PT, RO, RU, SC, SD, SE, SG, SK, SL, TJ, TM, TN, TR, TT, TZ, UA, UG, UZ, VC, VN, YU, ZA, ZM, ZW.

(26) Publication Language: English

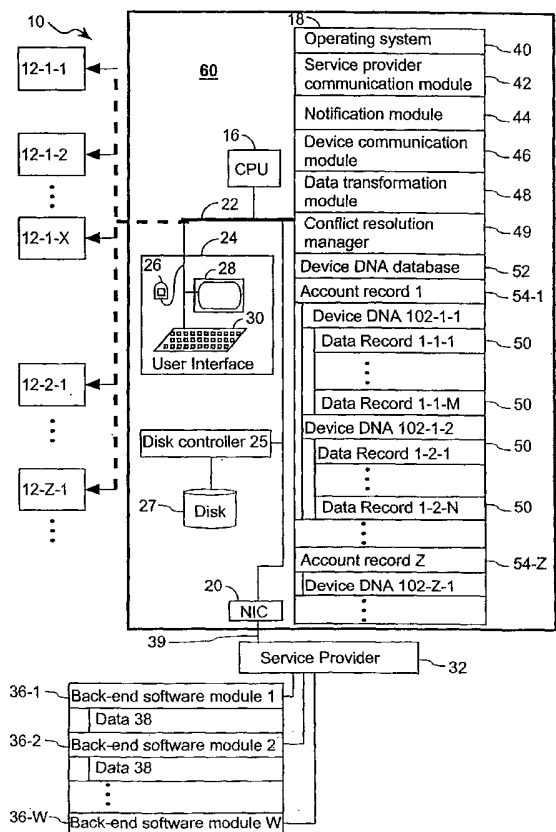
(30) Priority Data:
60/363,876 11 March 2002 (11.03.2002) US

(71) Applicant: VERDISOFT CORPORATION [US/US];
3420 Hillview Avenue, Lobby 6, Palo Alto, CA 94304-1320 (US).

(84) Designated States (regional): ARIPO patent (GH, GM, KE, LS, MW, MZ, SD, SL, SZ, TZ, UG, ZM, ZW), Eurasian patent (AM, AZ, BY, KG, KZ, MD, RU, TJ, TM), European patent (AT, BE, BG, CH, CY, CZ, DE, DK, EE,

[Continued on next page]

(54) Title: SYSTEM FOR STANDARDIZING UPDATES OF DATA ON A PLURALITY OF ELECTRONIC DEVICES



(57) Abstract: An apparatus for standardizing data on two or more electronic devices (12), comprising: an intermediate server (60) on which is stored a plurality of characterizations, wherein the plurality of characterizations includes a separate characterization for each of the two or more electronic devices (12); and a service provider (32) that offers one or more back-end software modules (36) to at least one of the two or more electronic devices (12), and wherein each of the one or more back-end software modules (36) has data associated with it; wherein: a notification module (44) stored on the intermediate server (60) detects a change in the data associated with one of the one or more back-end software modules (36); as a result of an interaction with one of the two or more electronic devices (12), the intermediate server (60) receives the change in the data associated with one of the one or more back-end software modules (36) and creates an updated characterization for the one of the two or more electronic devices (12).

WO 2003/079144 A3



ES, FI, FR, GB, GR, HU, IE, IT, LU, MC, NL, PT, RO,
SE, SI, SK, TR), OAPI patent (BF, BJ, CF, CG, CI, CM,
GA, GN, GQ, GW, ML, MR, NE, SN, TD, TG).

(88) Date of publication of the international search report:
15 April 2004

Published:

— *with international search report*

For two-letter codes and other abbreviations, refer to the "Guidance Notes on Codes and Abbreviations" appearing at the beginning of each regular issue of the PCT Gazette.

INTERNATIONAL SEARCH REPORT

International application No.

PCT/US03/07181

A. CLASSIFICATION OF SUBJECT MATTER		
IPC(7) :G06F 13/00 US CL :709/200, 201, 203, 217, 218, 218, 223, 224, 225 According to International Patent Classification (IPC) or to both national classification and IPC		
B. FIELDS SEARCHED		
Minimum documentation searched (classification system followed by classification symbols) U.S. : 709/200, 201, 203, 217, 218, 218, 223, 224, 225		
Documentation searched other than minimum documentation to the extent that such documents are included in the fields searched		
Electronic data base consulted during the international search (name of data base and, where practicable, search terms used) WEST setting, configuration, device, unit, apparatus, resource, equipment, provider, host, server, module		
C. DOCUMENTS CONSIDERED TO BE RELEVANT		
Category*	Citation of document, with indication, where appropriate, of the relevant passages	Relevant to claim No.
A	US 5,457,478 A (FRANK) 10 October 1995, col 4, lines 6-67, col 5, lines 1-54, col 6, lines 34-67, col 7, lines 1-38.	1-26
<input type="checkbox"/> Further documents are listed in the continuation of Box C. <input type="checkbox"/> See patent family annex.		
* Special categories of cited documents:	"T"	later document published after the international filing date or priority date and not in conflict with the application but cited to understand the principle or theory underlying the invention
"A" document defining the general state of the art which is not considered to be of particular relevance	"X"	document of particular relevance; the claimed invention cannot be considered novel or cannot be considered to involve an inventive step when the document is taken alone
"E" earlier document published on or after the international filing date	"Y"	document of particular relevance; the claimed invention cannot be considered to involve an inventive step when the document is combined with one or more other such documents, such combination being obvious to a person skilled in the art
"L" document which may throw doubts on priority claim(s) or which is cited to establish the publication date of another citation or other special reason (as specified)	"&"	document member of the same patent family
"O" document referring to an oral disclosure, use, exhibition or other means		
"P" document published prior to the international filing date but later than the priority date claimed		
Date of the actual completion of the international search 14 SEPTEMBER 2003	Date of mailing of the international search report 08 OCT 2003	
Name and mailing address of the ISA/US Commissioner of Patents and Trademarks Box PCT Washington, D.C. 20231 Facsimile No. (703) 305-3230	Authorized officer MOUSTAFA M. MEKY <i>Moustafa M. Meky</i> Telephone No. (703) 305-9697	