



US0D1027263S

(12) **United States Design Patent**  
**Zhu**

(10) **Patent No.:** **US D1,027,263 S**

(45) **Date of Patent:** **\*\* May 14, 2024**

(54) **LED PLANT LIGHT**

(74) *Attorney, Agent, or Firm* — ScienBiziP, P.C.

(71) Applicant: **Ganzhou Zhongheng Optoelectronics Technology Co., Ltd.**, Jiangxi (CN)

(57) **CLAIM**

The ornamental design for a LED plant light, as shown and described.

(72) Inventor: **Weijun Zhu**, Jiangxi (CN)

**DESCRIPTION**

(73) Assignee: **Ganzhou Zhongheng Optoelectronics Technology Co., Ltd.**, Jiangxi (CN)

FIG. 1 is a front, right, and top perspective view of a LED plant light, showing my design.

FIG. 2 is a rear, left, and bottom perspective view thereof.

FIG. 3 is a front elevation view thereof.

FIG. 4 is a rear elevation view thereof.

FIG. 5 is a left side elevation view thereof.

FIG. 6 is a right side elevation view thereof.

FIG. 7 is a top plan view thereof.

FIG. 8 is a bottom plan view thereof.

FIG. 9 is a cross-sectional view of the LED plant light of

FIG. 1, taken along section line 9-9 as depicted in FIG. 3.

FIG. 10 is a partial enlarged view of an area labeled 10 in

FIG. 1 comprising at least one element of a lamp group

element.

FIG. 11 is a partial enlarged view of an area labeled 11 in

FIG. 1 comprising at least one element of a lamp group

element.

FIG. 12 is a partial enlarged view of an area labeled 12 in

FIG. 2 comprising at least one element of a lamp group

element.

FIG. 13 is a partial enlarged view of an area labeled 13 in

FIG. 2 comprising at least one element of a lamp group

element.

FIG. 14 is another front, right, and top perspective view of

the LED plant light in FIG. 1 comprising an upper and lower

parts in a closed state; and,

FIG. 15 is another front, right, and top perspective view of

the LED plant light in FIG. 1 comprising an upper part in an

upward state.

The broken lines shown in the drawings are included for the

purpose of illustrating portions of the LED plant light that

form no part of the claimed design. The unevenly spaced

broken lines represent the bounds of the detail view and

form no part of the claim.

(\*\*) Term: **15 Years**

(21) Appl. No.: **29/807,782**

(22) Filed: **Sep. 14, 2021**

(51) **LOC (14) Cl.** ..... **26-04**

(52) **U.S. Cl.**

USPC ..... **D26/76**

(58) **Field of Classification Search**

USPC ..... D26/24, 74, 76, 77, 80-86, 88, 91, 113,  
D26/72, 118

(Continued)

(56) **References Cited**

**U.S. PATENT DOCUMENTS**

D486,262 S \* 2/2004 Chen ..... D26/77

D609,386 S \* 2/2010 Castelli ..... D26/76

(Continued)

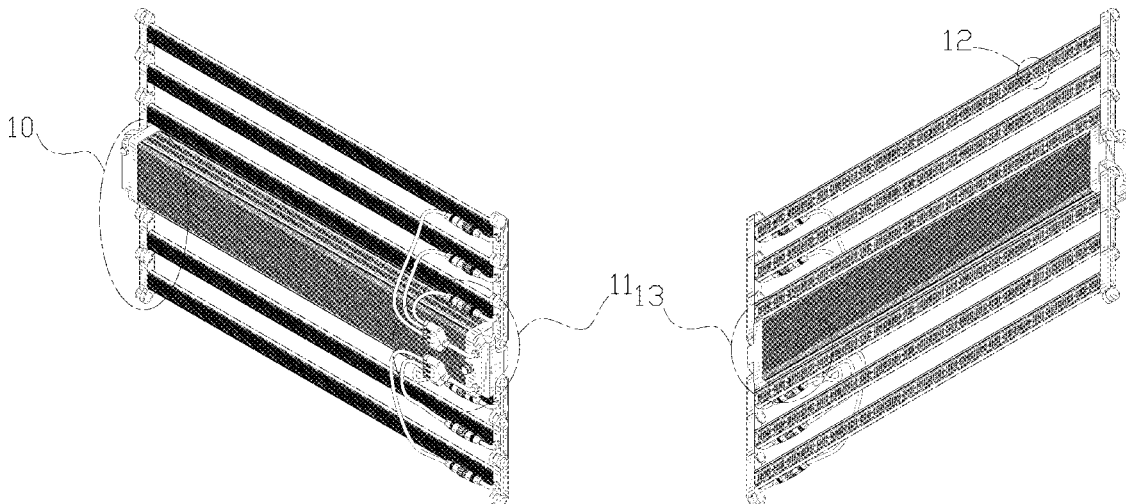
**OTHER PUBLICATIONS**

CDMALL LED Grow Lights, available in Amazon.com, date first available Nov. 9, 2020 [online], [site visited Jan. 24, 2023], Available from the internet URL: [https://www.amazon.com/CDMALL-Sunlike-Spectrum-Hydroponics-Foldable/dp/B08D9JXPND/ref=sr\\_1\\_59?keywords=foldable+led+grow+lamp&qid=1668466475&sr=8-59](https://www.amazon.com/CDMALL-Sunlike-Spectrum-Hydroponics-Foldable/dp/B08D9JXPND/ref=sr_1_59?keywords=foldable+led+grow+lamp&qid=1668466475&sr=8-59) (Year: 2020).\*

(Continued)

*Primary Examiner* — Kathleen L Jones  
*Assistant Examiner* — Jasmine L. Comedy

**1 Claim, 15 Drawing Sheets**



(58) **Field of Classification Search**

CPC .. D03D 9/00; F21S 4/28; H05B 45/20; A01G  
7/045; A01G 9/249

See application file for complete search history.

(56) **References Cited**

U.S. PATENT DOCUMENTS

D804,077 S *	11/2017	Ma .....	D26/76
D809,701 S *	2/2018	Tweel .....	D26/118
D819,875 S *	6/2018	Yorio .....	D26/118
D831,243 S *	10/2018	Shields .....	D26/24
D881,440 S *	4/2020	Zhu .....	D26/76
D949,454 S *	4/2022	Burkhart .....	D26/76
D1,005,554 S *	11/2023	Lauck .....	D26/76

OTHER PUBLICATIONS

Enlite Flora Vertical Farming Indoor Growing Light, available in Amazon.com, date first available Jun. 12, 2020 [online], [site visited Jan. 24, 2023], Available from the internet URL: <https://www.amazon.com/Enlite-Vertical-Seedling-Flowering-Spectrum/dp/B08B366YKN> (Year: 2020).\*

G120 Foldable LED Grow Lights, announced in YouTube on Jul. 15, 2020 [online], [site visited Jan. 24, 2023], Available from the internet URL: <https://www.youtube.com/watch?v=BHZyBTaIN9U> (Year: 2020).\*

Yongren, Pan, CN-registration No. 306244154, Published at Orbit, publication date Dec. 22, 2020. Site visited Jan. 24, 2023. Available from Internet. (Year: 2020).\*

\* cited by examiner

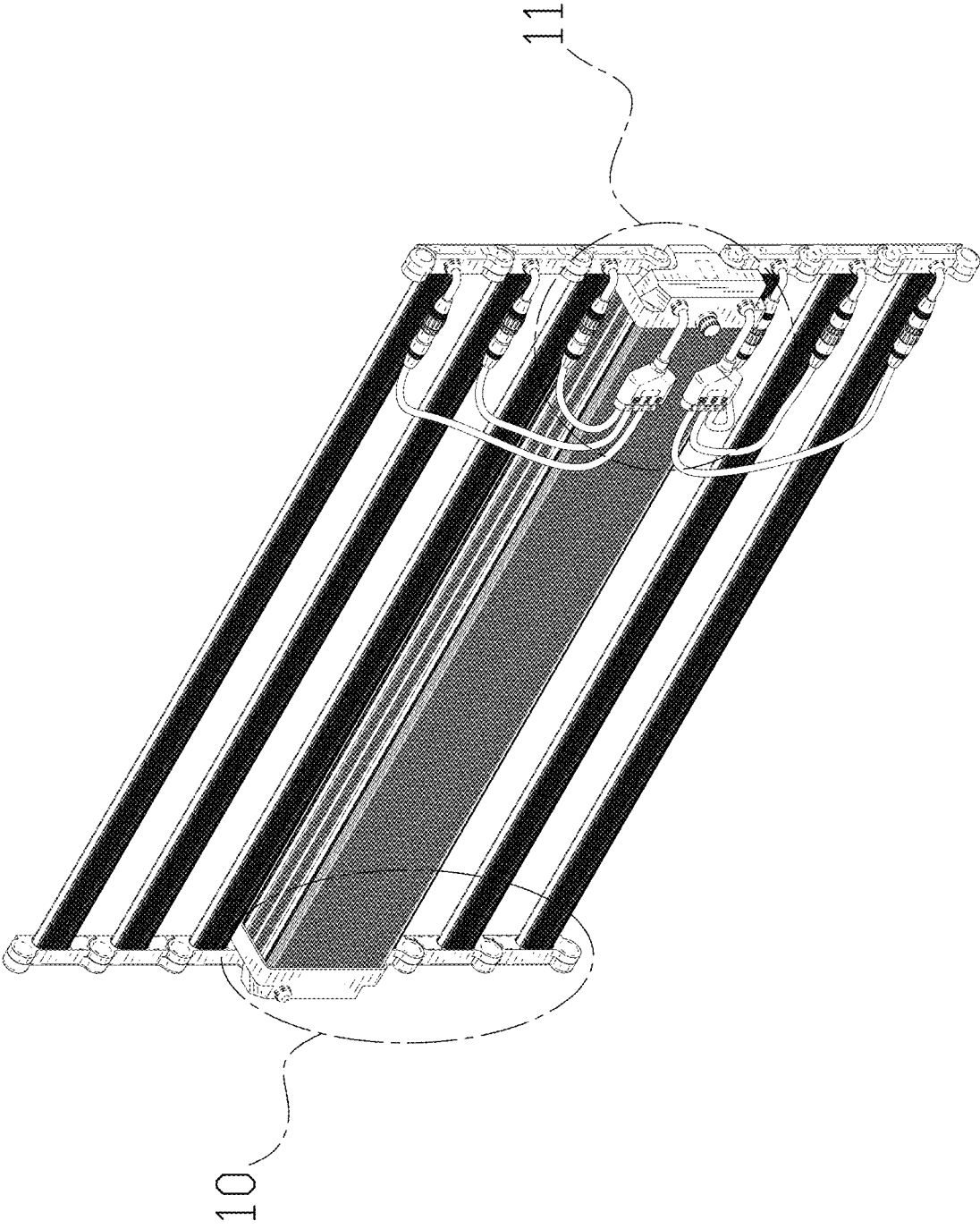


FIG. 1

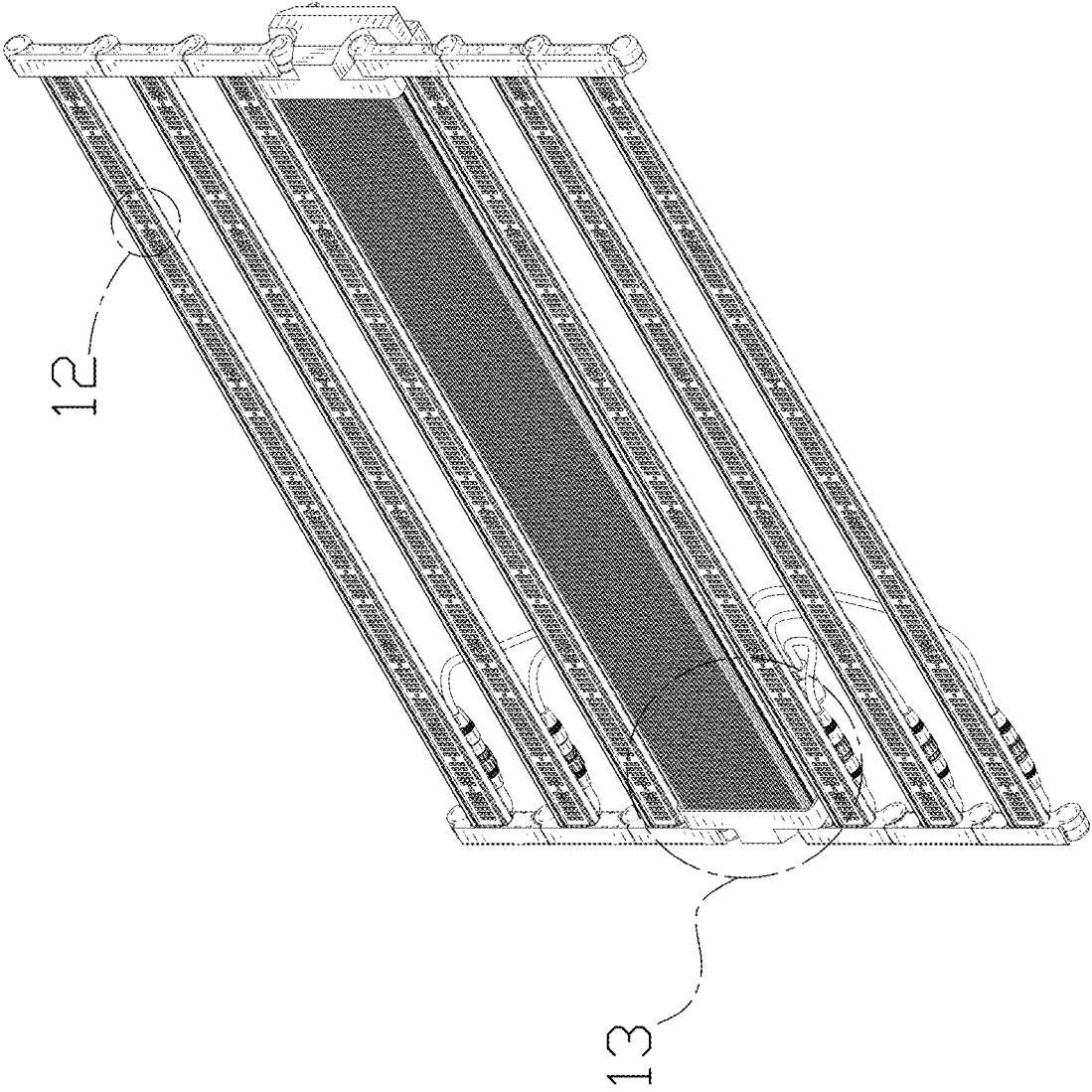


FIG. 2

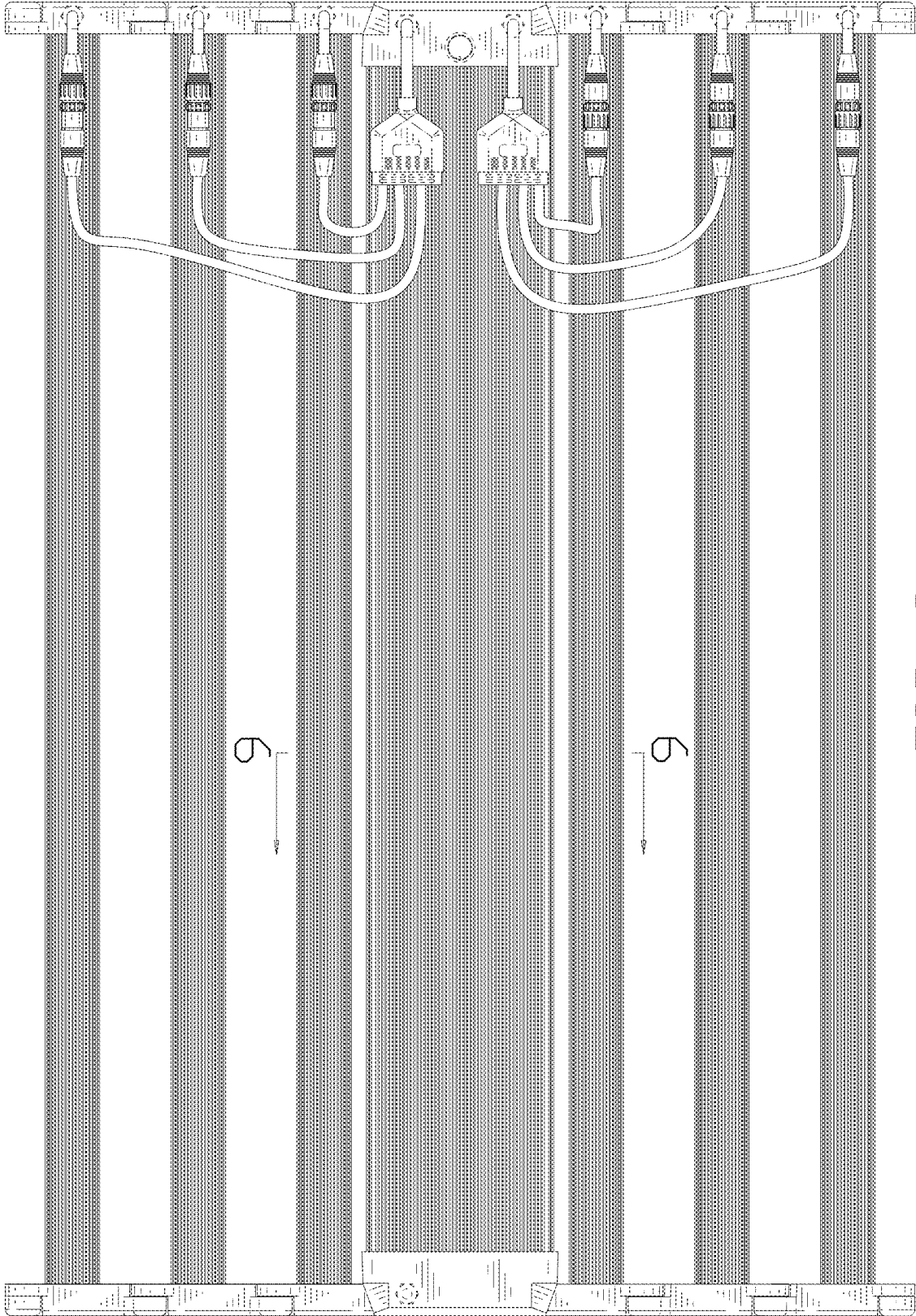


FIG. 3

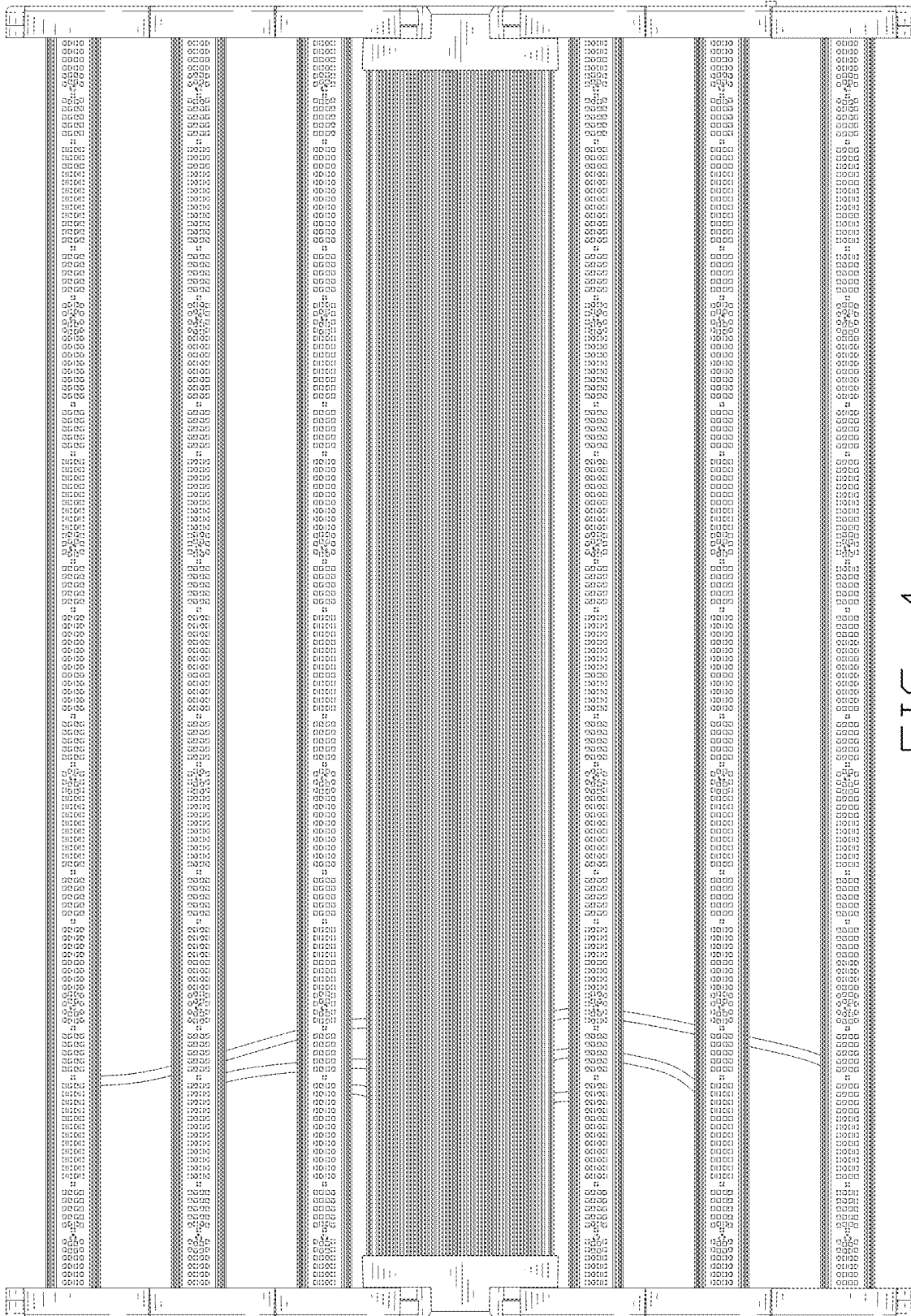


FIG. 4

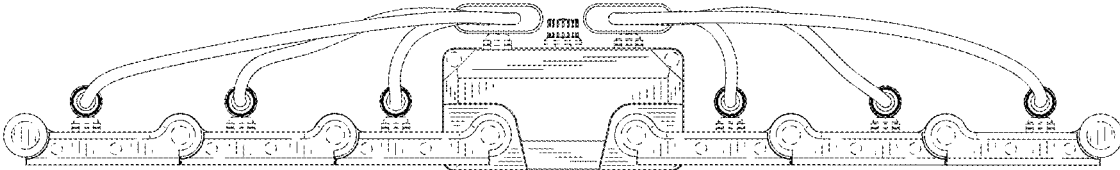


FIG. 5

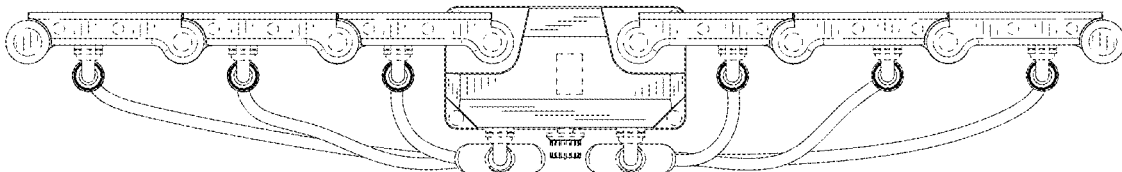


FIG. 6

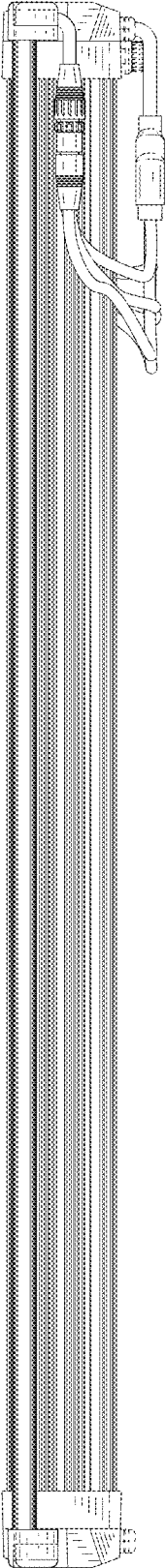


FIG. 7

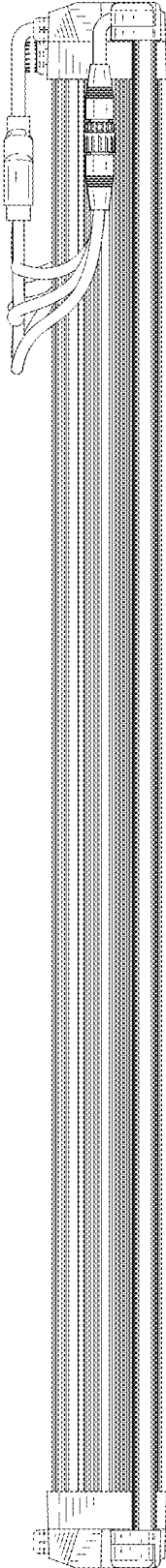


FIG. 8

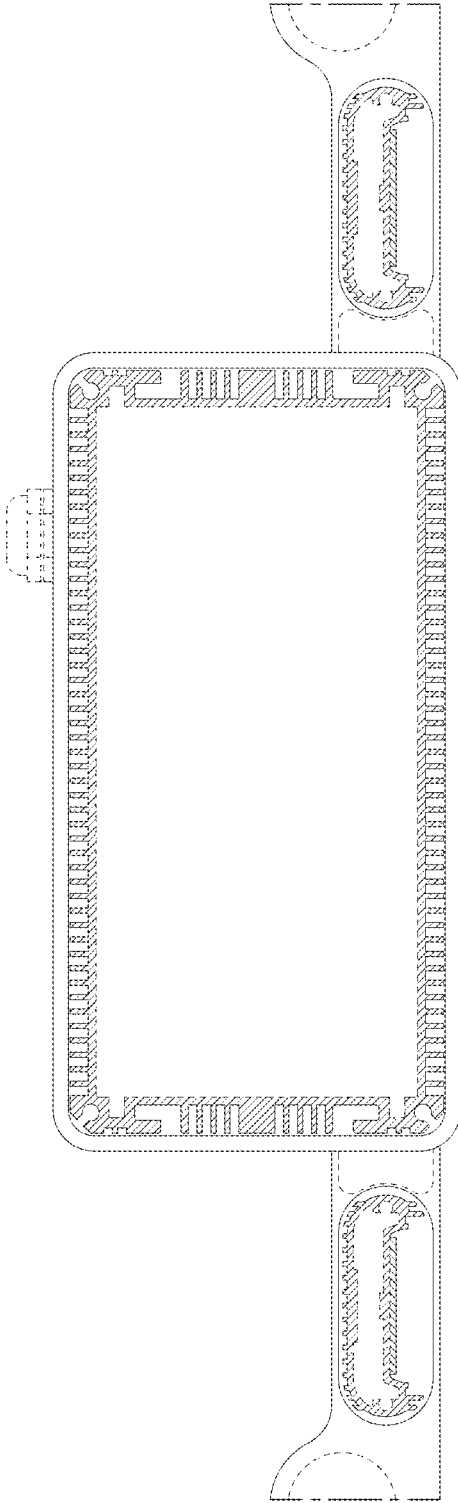


FIG. 9

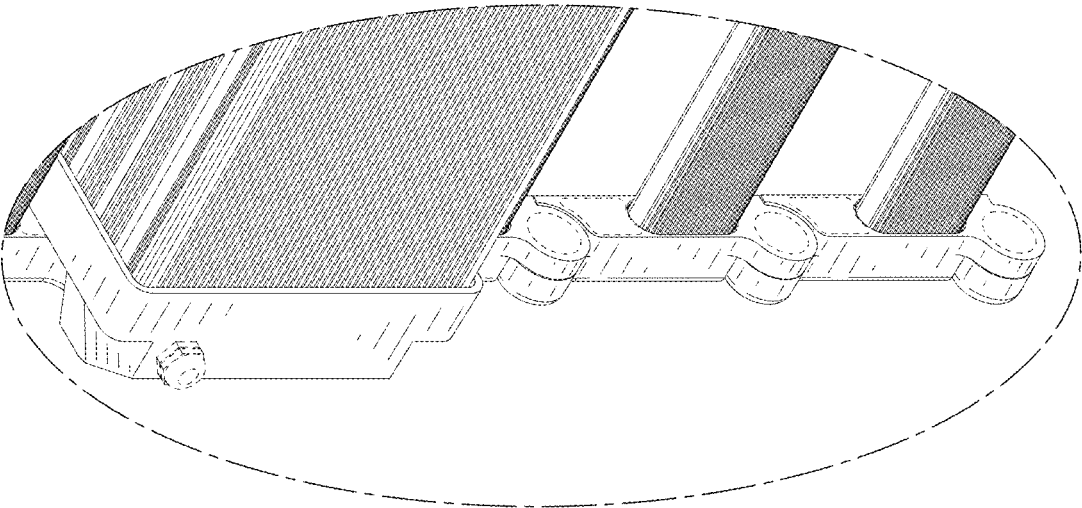


FIG. 10

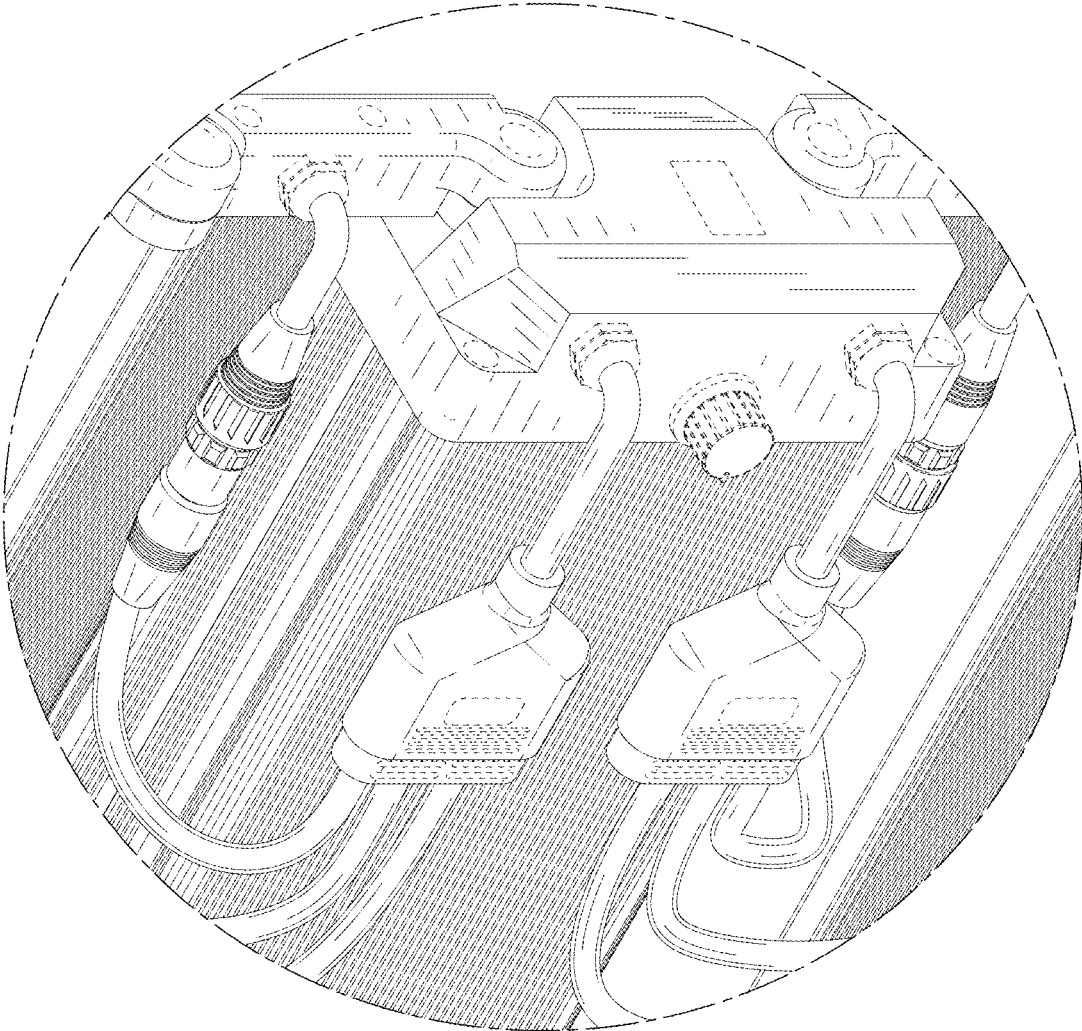


FIG. 11

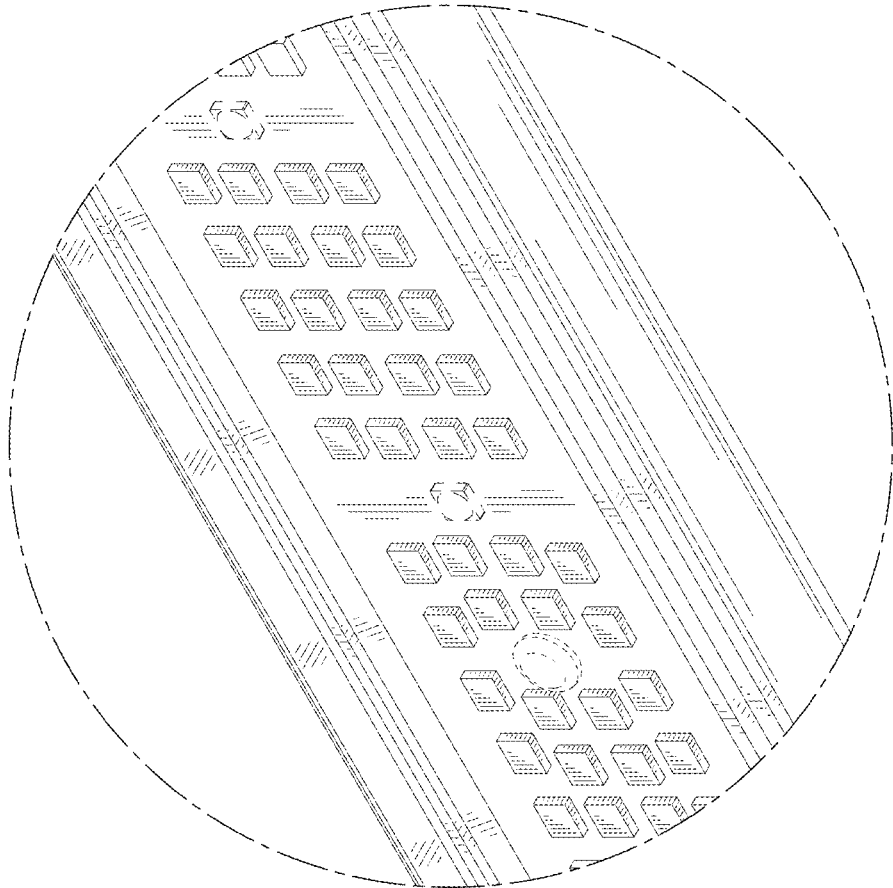


FIG. 12

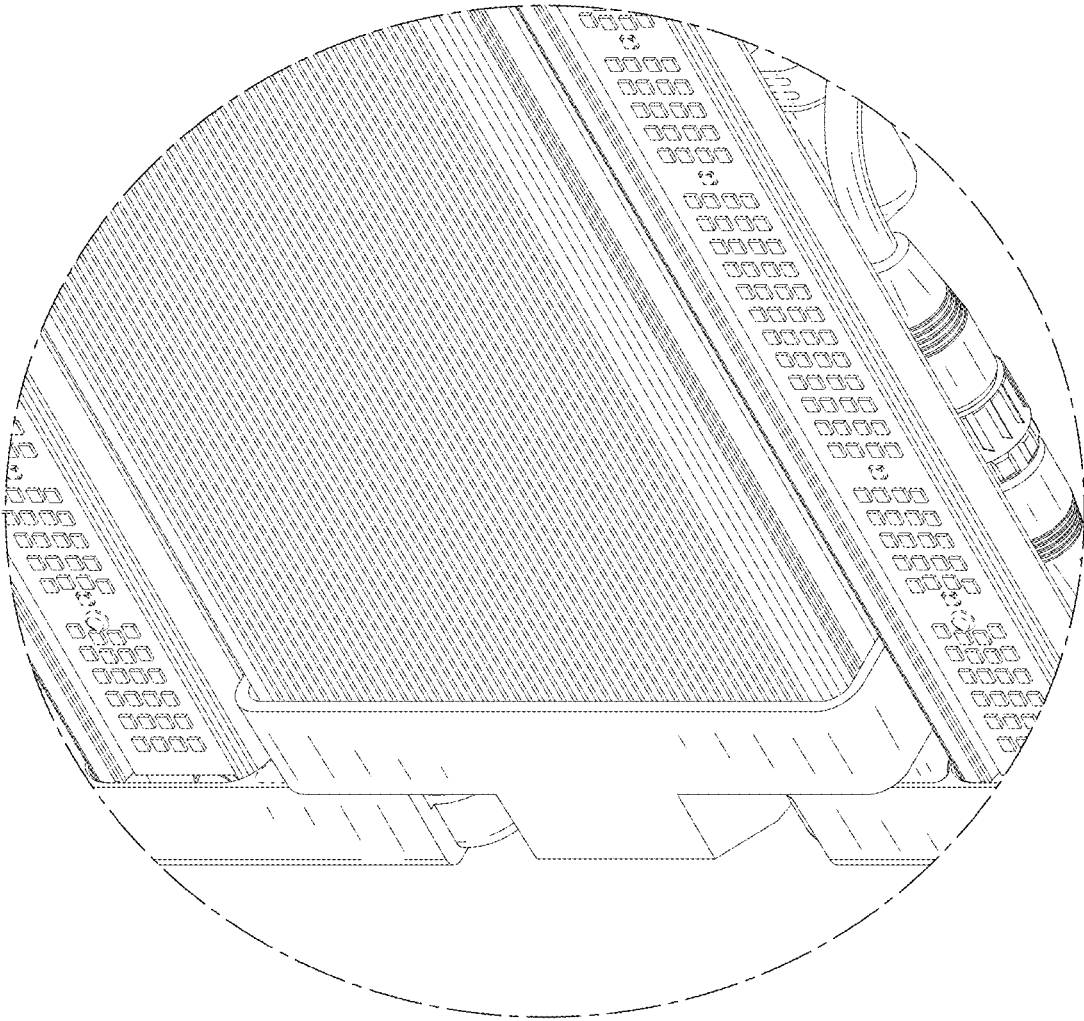


FIG. 13

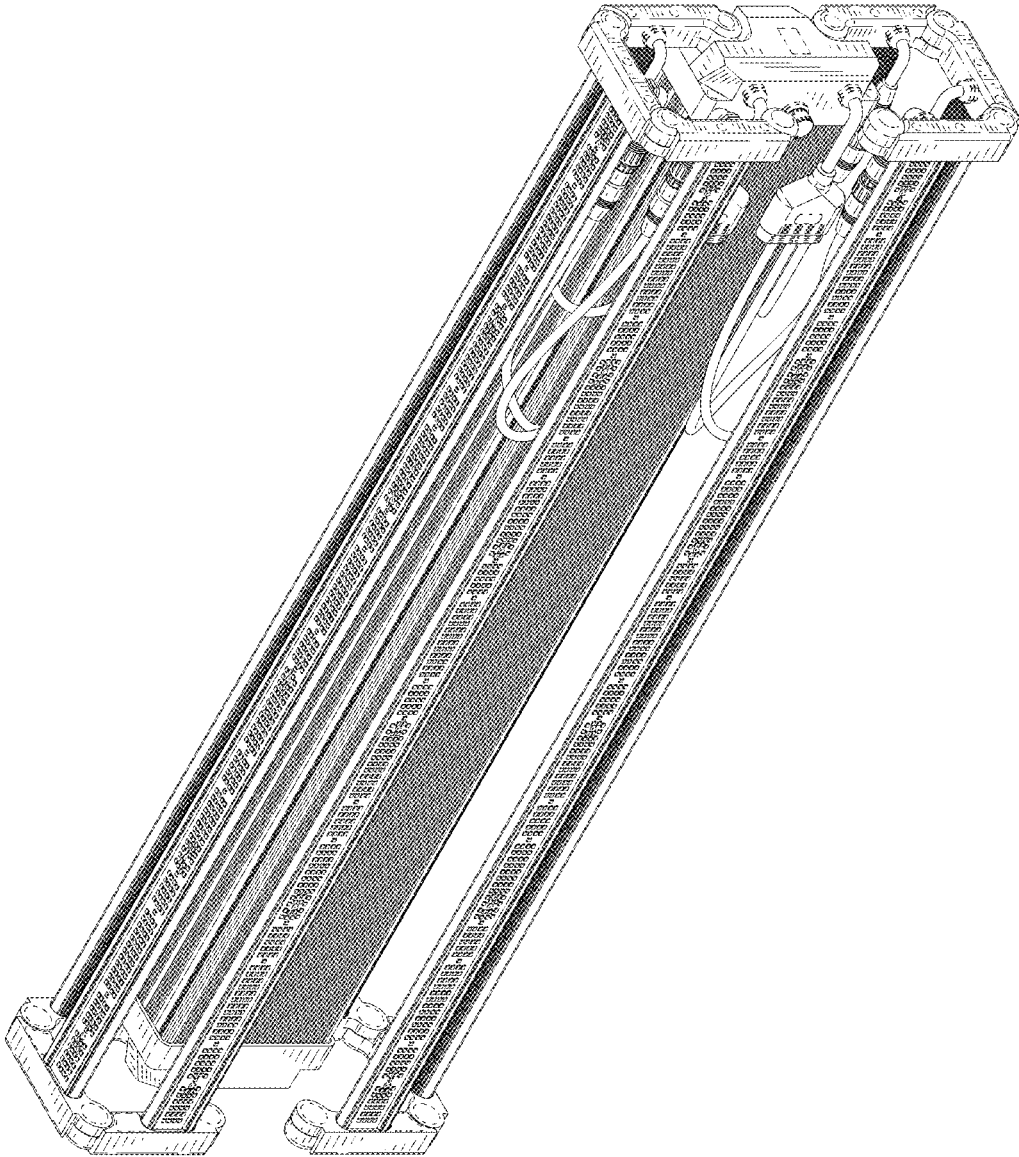


FIG. 14

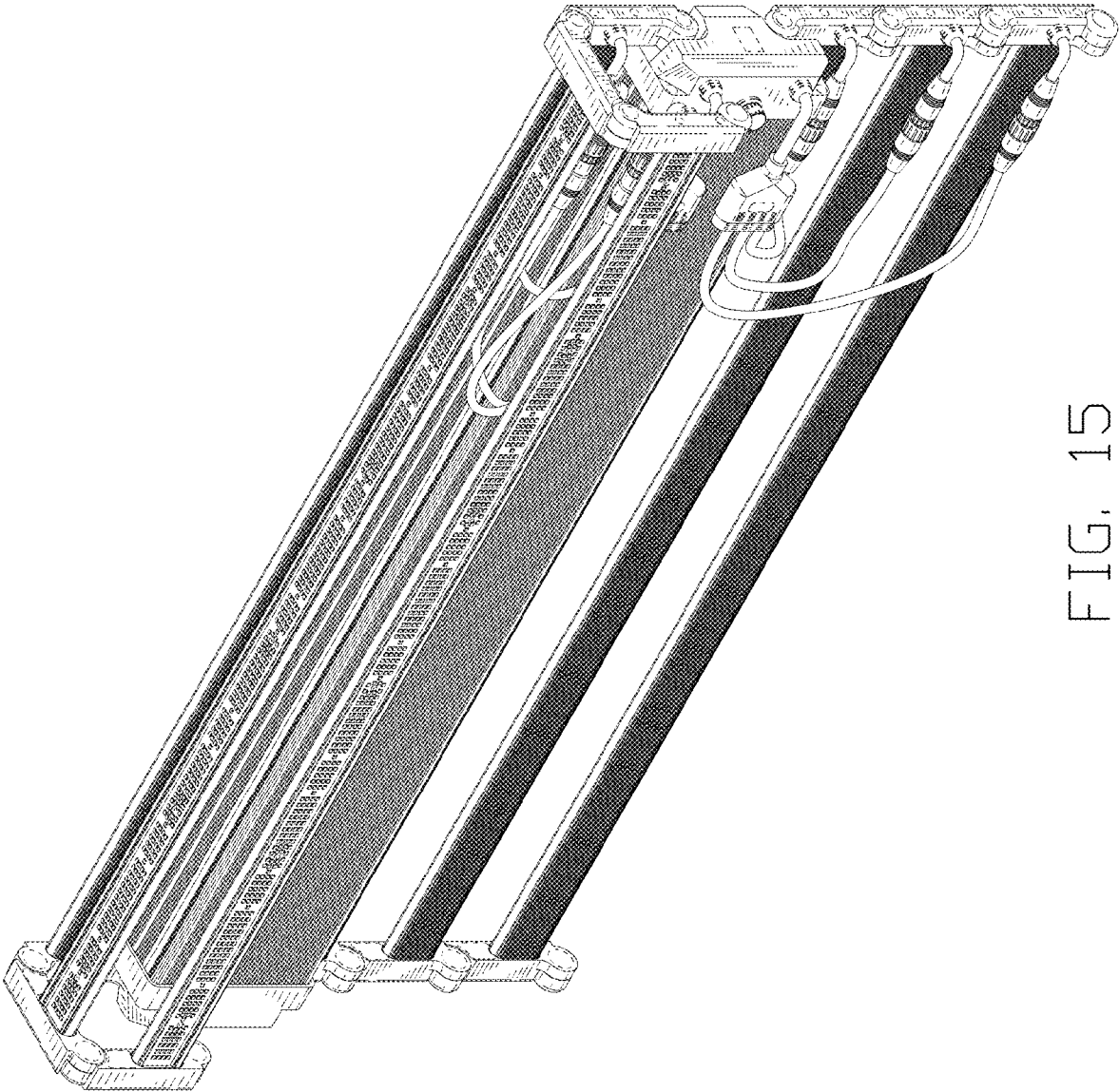


FIG. 15