



US00D809062S

(12) **United States Design Patent**
Munson

(10) **Patent No.:** **US D809,062 S**
(45) **Date of Patent:** **** Jan. 30, 2018**

- (54) **PEN GRIP**
- (71) Applicant: **SADDLEBACK LEATHER COMPANY, LLC**, Fort Worth, TX (US)
- (72) Inventor: **David C. Munson**, San Antonio, TX (US)
- (73) Assignee: **Saddleback Leather Company, LLC**, Fort Worth, TX (US)
- (**) Term: **15 Years**
- (21) Appl. No.: **29/557,957**
- (22) Filed: **Mar. 14, 2016**
- (51) **LOC (11) CL.** **19-06**
- (52) **U.S. CL.**
USPC **D19/204**
- (58) **Field of Classification Search**
USPC D14/411; D19/115-204; D28/7, 76, 88
CPC ... B43K 5/00; B43K 7/00; B43K 7/12; B43K 8/04; B43K 8/06; B43K 19/00; B43K 19/02; B43K 19/14; B43K 24/08; B43K 24/084; B43K 23/004; B43K 23/008; B43K 23/02
See application file for complete search history.

D263,317 S *	3/1982	Swensson	D19/180
D286,650 S *	11/1986	Fischer	401/6
D308,889 S *	6/1990	Gecchelin	401/131
D311,421 S *	10/1990	Mardock	D19/135
D322,811 S *	12/1991	Isern	401/199
D472,240 S *	3/2003	Seog	D14/411
D551,296 S *	9/2007	Greenberg	D19/135
D667,828 S *	9/2012	Park	D14/411
D707,227 S *	6/2014	Chung	D14/411
D772,875 S *	11/2016	Kim	D14/411

* cited by examiner

Primary Examiner — Elizabeth Albert
(74) *Attorney, Agent, or Firm* — Alston & Bird LLP

(57) **CLAIM**

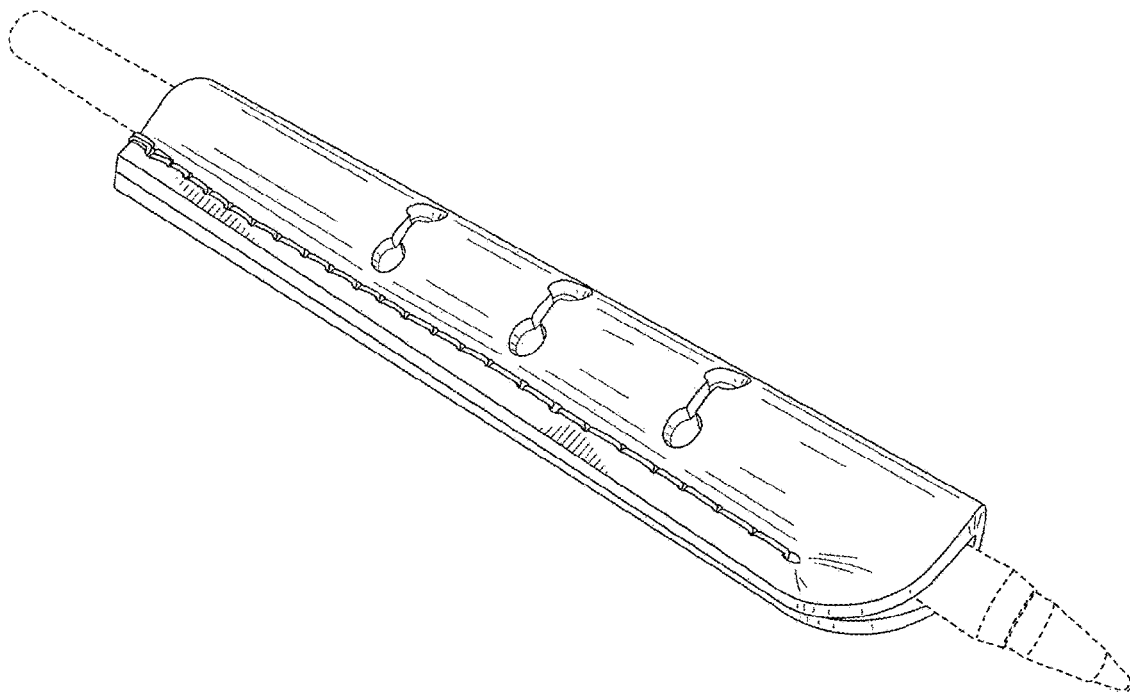
The ornamental design for a pen grip, as shown and described.

DESCRIPTION

FIG. 1 is a perspective view of a pen grip according to our new design;
FIG. 2 is a front elevation view thereof;
FIG. 3 is a back elevation view thereof;
FIG. 4 is a right side elevation view thereof;
FIG. 5 is a left side elevation view thereof;
FIG. 6 is a top elevation view thereof; and,
FIG. 7 is a bottom plan view thereof.
The broken lines in FIGS. 1 to 7 are included to show an article that forms no part of the claimed design.

1 Claim, 4 Drawing Sheets

- (56) **References Cited**
U.S. PATENT DOCUMENTS
1,482,647 A * 2/1924 Gise A45F 5/00
224/219
D240,526 S * 7/1976 Verona D19/177



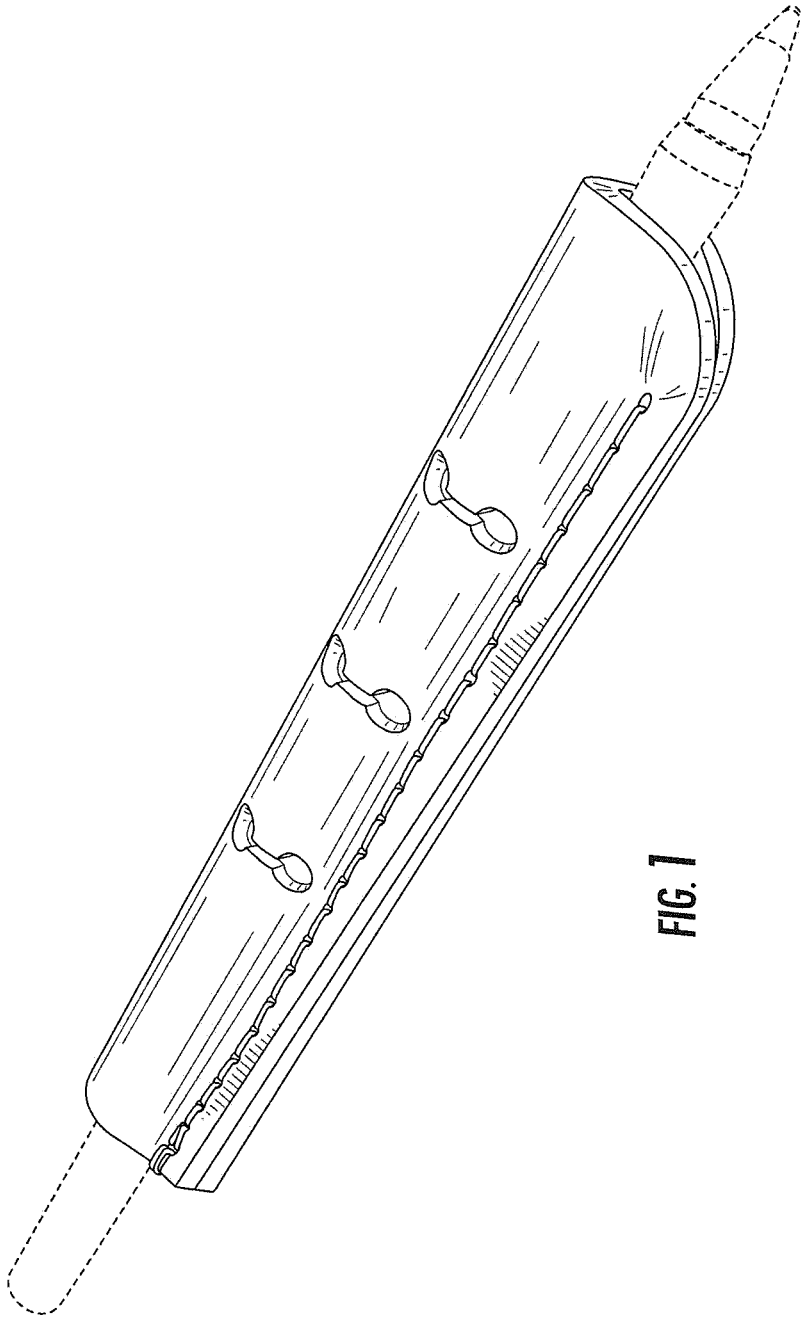


FIG. 1

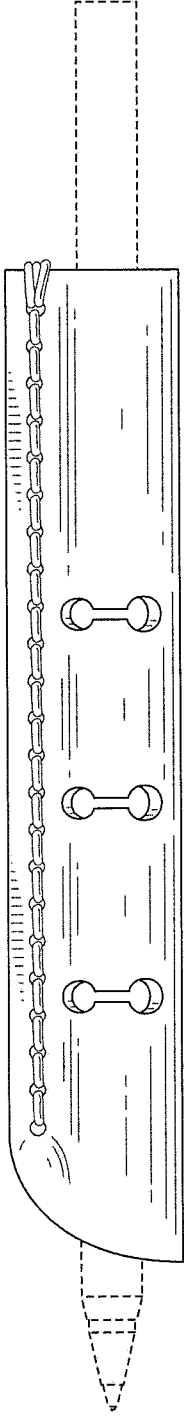


FIG. 2

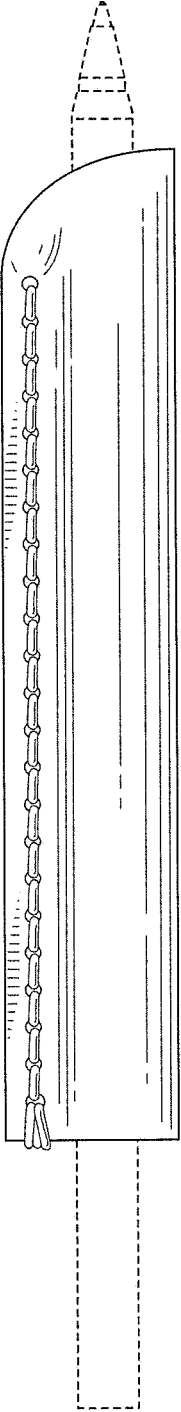


FIG. 3

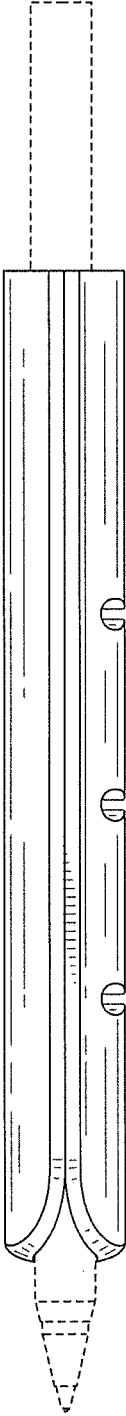


FIG. 4

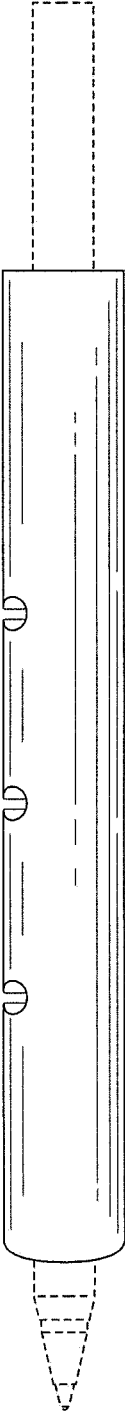


FIG. 5

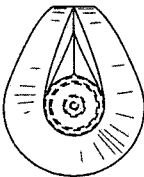


FIG. 6

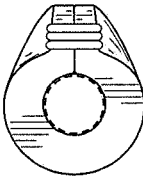


FIG. 7