

(19) World Intellectual Property
Organization
International Bureau



(43) International Publication Date
23 September 2004 (23.09.2004)

PCT

(10) International Publication Number
WO 2004/080334 A3

(51) International Patent Classification⁷: A61F 5/48, 2/00, 2/02, 5/00

(74) Agents: MEYER, Charles, J. et al.; Woodard, Emhardt, Moriarty, Mcnett & Henry LLP, Bank One Center/Tower, Suite 3700, 111 Monument Circle, Indianapolis, IN 46204 (US).

(21) International Application Number:
PCT/US2004/006222

(81) Designated States (unless otherwise indicated, for every kind of national protection available): AE, AG, AL, AM, AT, AU, AZ, BA, BB, BG, BR, BW, BY, BZ, CA, CH, CN, CO, CR, CU, CZ, DE, DK, DM, DZ, EC, EE, EG, ES, FI, GB, GD, GE, GH, GM, HR, HU, ID, IL, IN, IS, JP, KE, KG, KP, KR, KZ, LC, LK, LR, LS, LT, LU, LV, MA, MD, MG, MK, MN, MW, MX, MZ, NA, NI, NO, NZ, OM, PG, PH, PL, PT, RO, RU, SC, SD, SE, SG, SK, SL, SY, TJ, TM, TN, TR, TT, TZ, UA, UG, US, UZ, VC, VN, YU, ZA, ZM, ZW.

(22) International Filing Date: 1 March 2004 (01.03.2004)

(25) Filing Language: English

(26) Publication Language: English

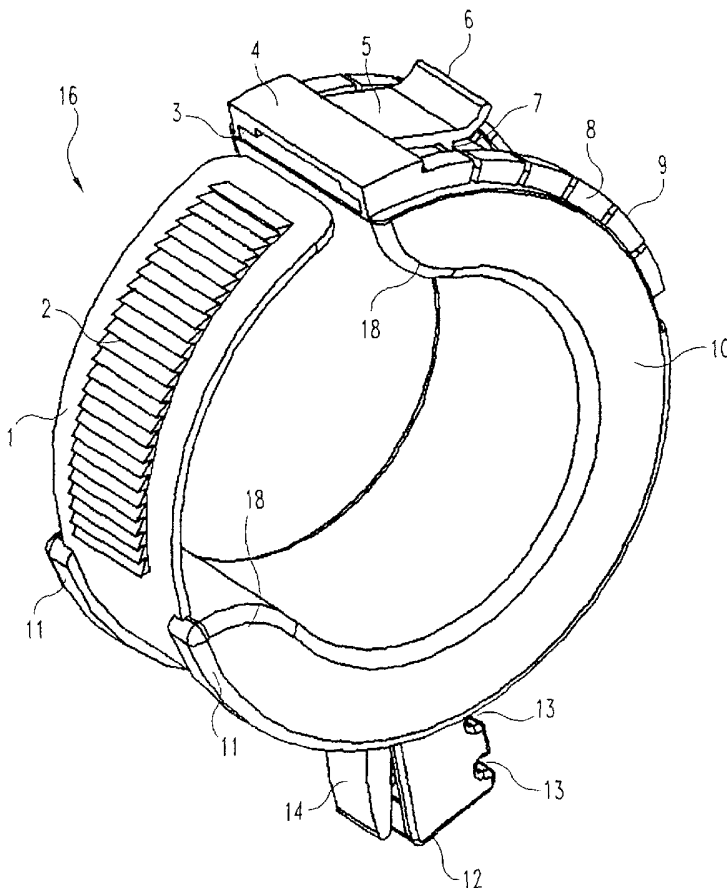
(30) Priority Data:
10/382,451 6 March 2003 (06.03.2003) US

(71) Applicant and
(72) Inventor: BAKANE, Ramesh [IN/US]; 2030 West Lola Drive, Marion, IN 46952 (US).

(84) Designated States (unless otherwise indicated, for every kind of regional protection available): ARIPO (BW, GH, GM, KE, LS, MW, MZ, SD, SL, SZ, TZ, UG, ZM, ZW),

[Continued on next page]

(54) Title: EXTERNAL INCONTINENCE DEVICE



(57) Abstract: An external incontinence device for use in male urinary incontinence. The device (16) is easy to fasten and unfasten with one hand to selectively apply pressure against the urethra. In one embodiment, the device (16) includes an outer strap (1), which overlaps itself through a gate (3), and locks in position at desired tension. A lever on the strap (5), which can be easily lifted to unfasten the strap, achieves release. Desired pressure is preferably applied against the urethra with an inner lining (10). The lining can be lifted to achieve pressure against the urethra by pressing a button (12). The button can be locked in position to achieve continence by either a groove or ridge mechanism or by a ballpoint pen ratchet mechanism. The pressure can be released by pressing and tilting the groove and ridge mechanism, or by pushing the ballpoint pen mechanism again. The present device preferably allows the user to void through the urethra without removal of the device.

WO 2004/080334 A3



Eurasian (AM, AZ, BY, KG, KZ, MD, RU, TJ, TM), European (AT, BE, BG, CH, CY, CZ, DE, DK, EE, ES, FI, FR, GB, GR, HU, IE, IT, LU, MC, NL, PL, PT, RO, SE, SI, SK, TR), OAPI (BF, BJ, CF, CG, CI, CM, GA, GN, GQ, GW, ML, MR, NE, SN, TD, TG).

(88) Date of publication of the international search report:
20 October 2005

For two-letter codes and other abbreviations, refer to the "Guidance Notes on Codes and Abbreviations" appearing at the beginning of each regular issue of the PCT Gazette.

Published:

- *with international search report*
- *before the expiration of the time limit for amending the claims and to be republished in the event of receipt of amendments*

INTERNATIONAL SEARCH REPORT

International application No.
PCT/US04/06222

A. CLASSIFICATION OF SUBJECT MATTER
 IPC(7) : A61F 5/48, 2/00, 2/02, 5/00
 US CL : 128/885, 886; 600/29-31, 41
 According to International Patent Classification (IPC) or to both national classification and IPC

B. FIELDS SEARCHED
 Minimum documentation searched (classification system followed by classification symbols)
 U.S. : 128/885, 886; 600/29-31, 41

Documentation searched other than minimum documentation to the extent that such documents are included in the fields searched

Electronic data base consulted during the international search (name of data base and, where practicable, search terms used)
 east

C. DOCUMENTS CONSIDERED TO BE RELEVANT

Category *	Citation of document, with indication, where appropriate, of the relevant passages	Relevant to claim No.
Y	US 6,039,750 A (KUBALAK ET AL.) 21 March 2000, see entire document.	1-6, 18-20
X	US 6,289,895 B1 (CHENG ET AL.) 18 September 2001, see entire document.	7-9, 21-23
---		-----
Y		1-6, 18-20
A	US 5,415,179 A (MENDOZA) 16 May 1995, see entire document.	
A	US 2,756,753 A (MEANS) 31 July 1956, see entire document.	

Further documents are listed in the continuation of Box C. See patent family annex.

* Special categories of cited documents:	"T" later document published after the international filing date or priority date and not in conflict with the application but cited to understand the principle or theory underlying the invention
"A" document defining the general state of the art which is not considered to be of particular relevance	"X" document of particular relevance; the claimed invention cannot be considered novel or cannot be considered to involve an inventive step when the document is taken alone
"E" earlier application or patent published on or after the international filing date	"Y" document of particular relevance; the claimed invention cannot be considered to involve an inventive step when the document is combined with one or more other such documents, such combination being obvious to a person skilled in the art
"L" document which may throw doubts on priority claim(s) or which is cited to establish the publication date of another citation or other special reason (as specified)	"&" document member of the same patent family
"O" document referring to an oral disclosure, use, exhibition or other means	
"P" document published prior to the international filing date but later than the priority date claimed	

Date of the actual completion of the international search 11 July 2005 (11.07.2005)	Date of mailing of the international search report 19 SEP 2005
Name and mailing address of the ISA/US Mail Stop PCT, Attn: ISA/US Commissioner for Patents P.O. Box 1450 Alexandria, Virginia 22313-1450 Facsimile No. (703) 305-3230	Authorized officer linda shoff Telephone No. (571) 272-4391