



US00D734787S

(12) **United States Design Patent**
Schönherr et al.

(10) **Patent No.:** **US D734,787 S**

(45) **Date of Patent:** **** *Jul. 21, 2015**

- (54) **MACHINE TOOL**
- (71) Applicant: **TRUMPF GmbH + Co. KG**, Ditzingen (DE)
- (72) Inventors: **Tom Schönherr**, Stuttgart (DE);
Andreas Diefenbach, Ditzingen (DE)
- (73) Assignee: **TRUMPF GmbH + Co. KG**, Ditzingen (DE)

- D495,723 S 9/2004 Kawamura et al.
- 7,013,543 B2 3/2006 Iwabuchi et al.
- D548,754 S 8/2007 Itabashi et al.
- D548,755 S 8/2007 Takeshima et al.
- D559,871 S 1/2008 Kittaka et al.
- D567,263 S 4/2008 Sugihara et al.
- D578,144 S 10/2008 Arisue et al.
- D614,210 S 4/2010 Basler et al.
- D620,508 S 7/2010 Jacquet et al.
- D635,596 S 4/2011 Hiroshima et al.
- D636,796 S 4/2011 Hiroshima et al.

(Continued)

(*) Notice: This patent is subject to a terminal disclaimer.

FOREIGN PATENT DOCUMENTS

(**) Term: **14 Years**

- EM 000974191-0001 11/2008
- EM 000974191-0002 11/2008

(21) Appl. No.: **29/488,603**

(Continued)

(22) Filed: **Apr. 22, 2014**

OTHER PUBLICATIONS

(30) **Foreign Application Priority Data**

Oct. 31, 2013 (EM) 002336230-0006

(51) **LOC (10) Cl.** **15-09**

(52) **U.S. Cl.**
USPC **D15/122**

(58) **Field of Classification Search**
USPC D15/122, 124, 127, 128, 130, 131;
29/30, 39, 50, 563-566, 564.1-564.8;
483/17-57

See application file for complete search history.

Images at pp. 6-9 of "TruBend: Mehr Freiheit beim Biegen", published by TRUMPF Werkzeugmaschinen/Elektrowerkzeuge, Identification No. 0372725-20-11-11-F, Nov. 2011.

Primary Examiner — Patricia Palasik
(74) *Attorney, Agent, or Firm* — Fish & Richardson P.C.

(57) **CLAIM**

I claim the ornamental design for a machine tool, as shown and described.

(56) **References Cited**

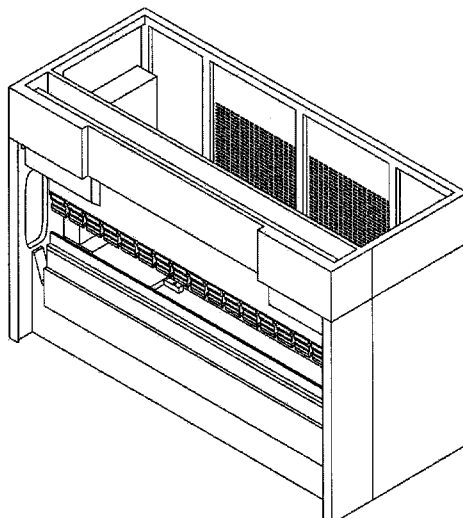
U.S. PATENT DOCUMENTS

- D266,520 S 10/1982 Engel
- 4,443,929 A 4/1984 Bayer et al.
- D319,834 S 9/1991 Rutschle
- 5,367,754 A * 11/1994 Sheehan et al. 29/27 C
- D388,103 S 12/1997 Gotou et al.
- D399,221 S 10/1998 Schwartz
- D445,807 S 7/2001 Baulk
- D489,077 S * 4/2004 Bloch D15/127

DESCRIPTION

- FIG. 1 is a front perspective view of the machine showing my new design;
- FIG. 2 is a front elevation view thereof;
- FIG. 3 is a back elevation view thereof
- FIG. 4 is a right side view thereof;
- FIG. 5 is a left side view thereof;
- FIG. 6 is a top plan view thereof; and,
- FIG. 7 is a bottom plan view thereof.

1 Claim, 7 Drawing Sheets



(56)

References Cited

FOREIGN PATENT DOCUMENTS

U.S. PATENT DOCUMENTS

D637,631	S	5/2011	Hiroshima et al.	
D644,570	S	9/2011	Chuang	
D649,173	S	11/2011	Bruce et al.	
D649,174	S	11/2011	Schindler	
D649,567	S	11/2011	Schindler	
D654,099	S	2/2012	Schindler et al.	
D654,518	S	2/2012	Miyake et al.	
D658,686	S	5/2012	Mueller	
D659,728	S	5/2012	Mueller	
D667,031	S	9/2012	Mueller	
D667,032	S	9/2012	Egami	
D676,882	S	2/2013	Mueller	
D680,563	S	4/2013	Yang et al.	
D694,787	S *	12/2013	Mueller	D15/122
D718,795	S *	12/2014	Schonherr et al.	D15/122
2013/0061726	A1 *	3/2013	Katsu et al.	82/1.11

EM	000974191-0003	11/2008
EM	000974191-0004	11/2008
EM	000974191-0005	11/2008
EM	000974191-0006	11/2008
EM	000974191-0007	11/2008
EM	000974191-0008	11/2008
EM	000974191-0009	11/2008
EM	000974191-0010	11/2008
EM	000974191-0011	11/2008
EM	000974191-0012	11/2008
EM	000974191-0013	11/2008
EM	000974191-0014	11/2008
EM	000974191-0015	11/2008
EM	000974191-0016	11/2008

* cited by examiner

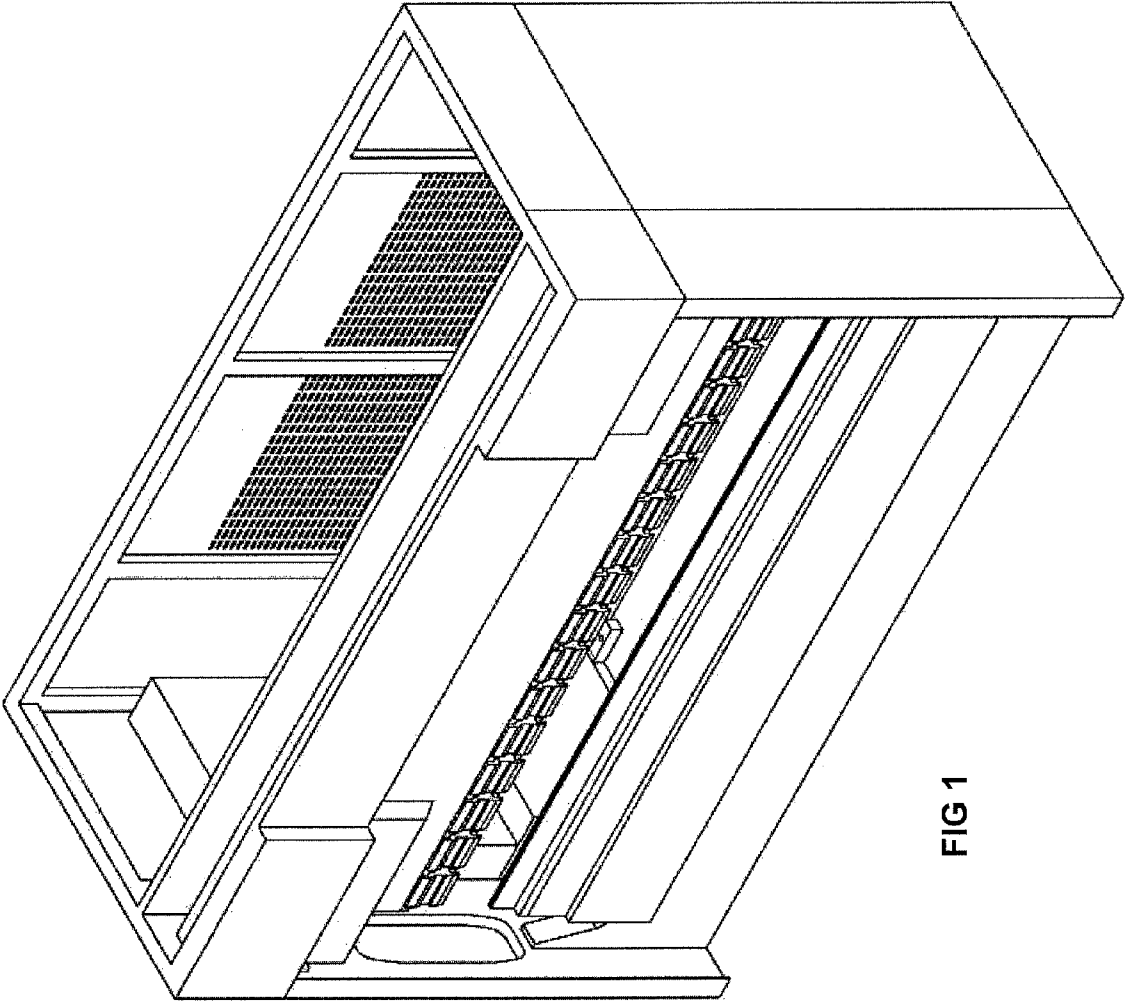


FIG 1

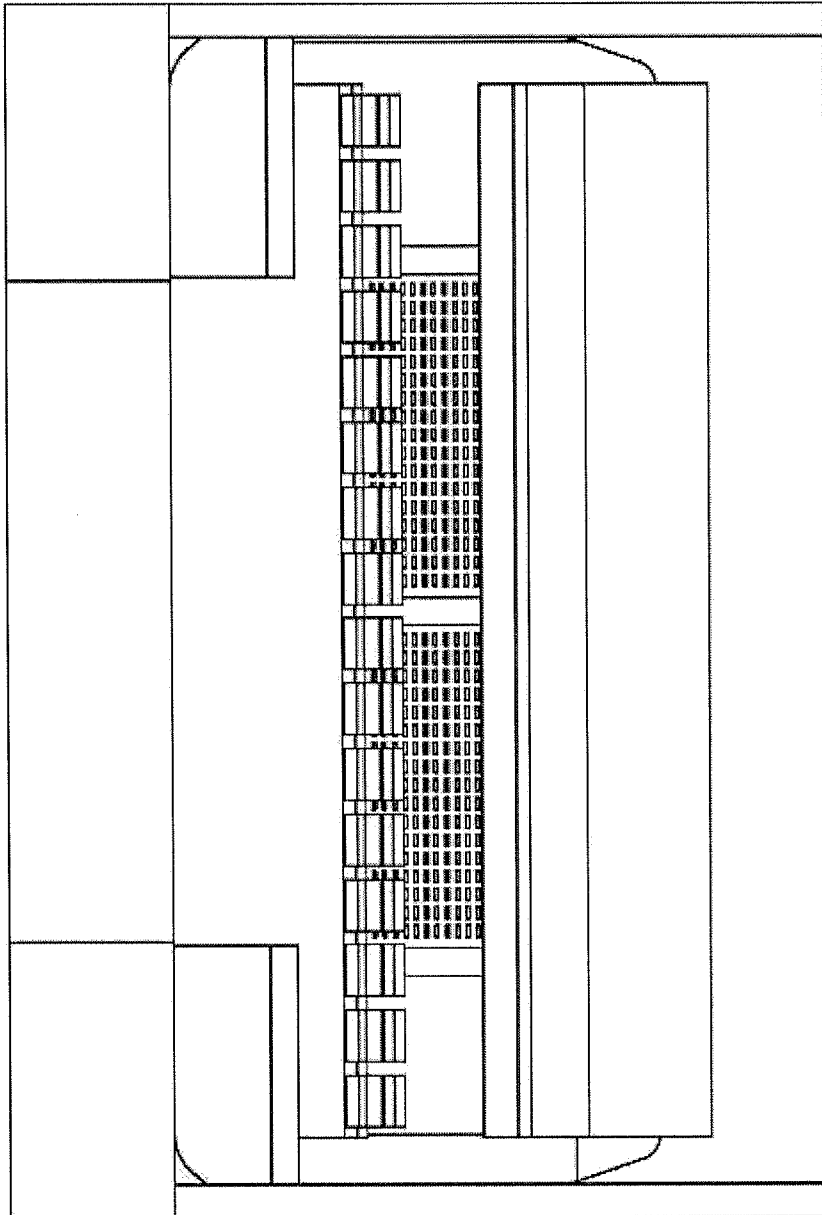


FIG 2

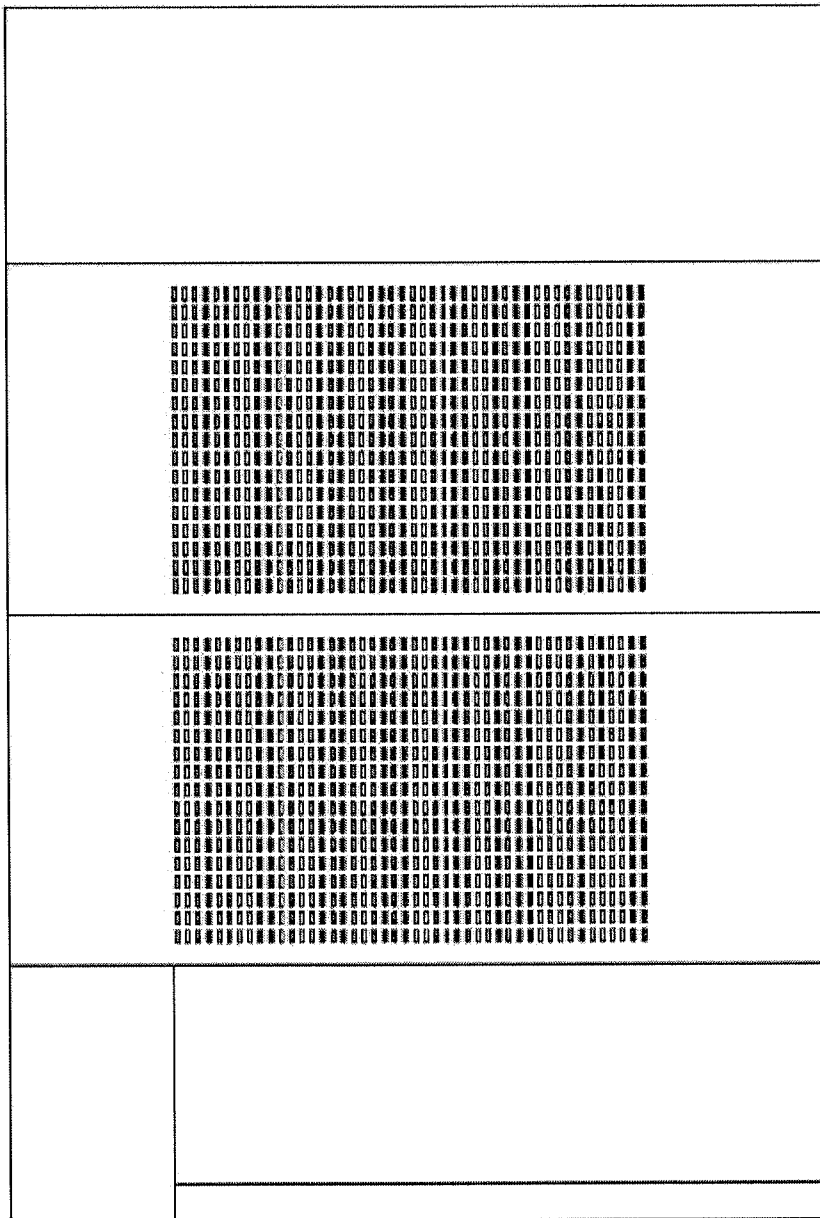


FIG 3

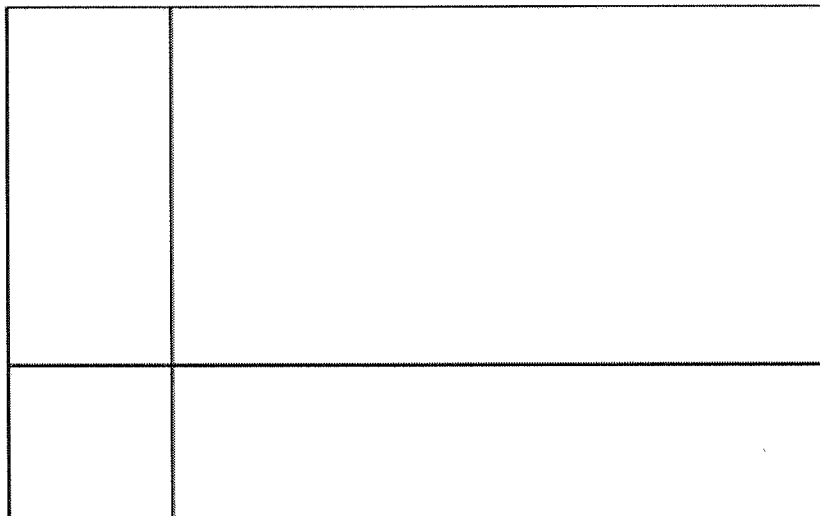


FIG 4

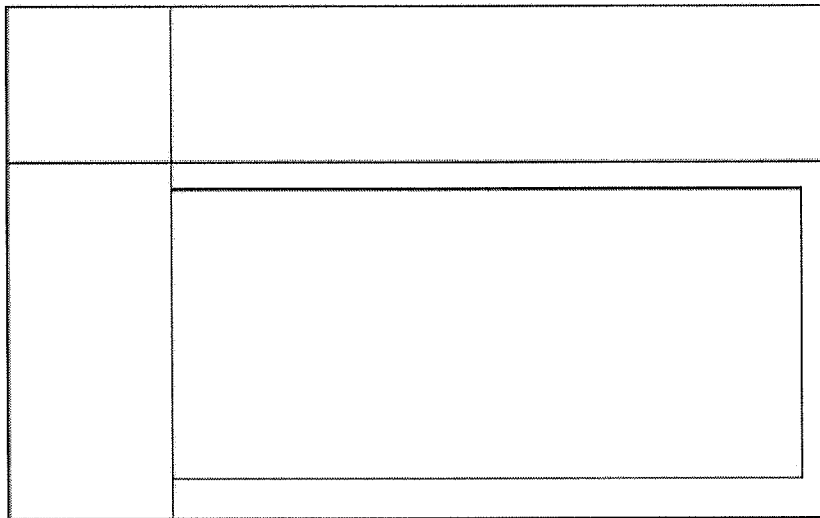


FIG 5

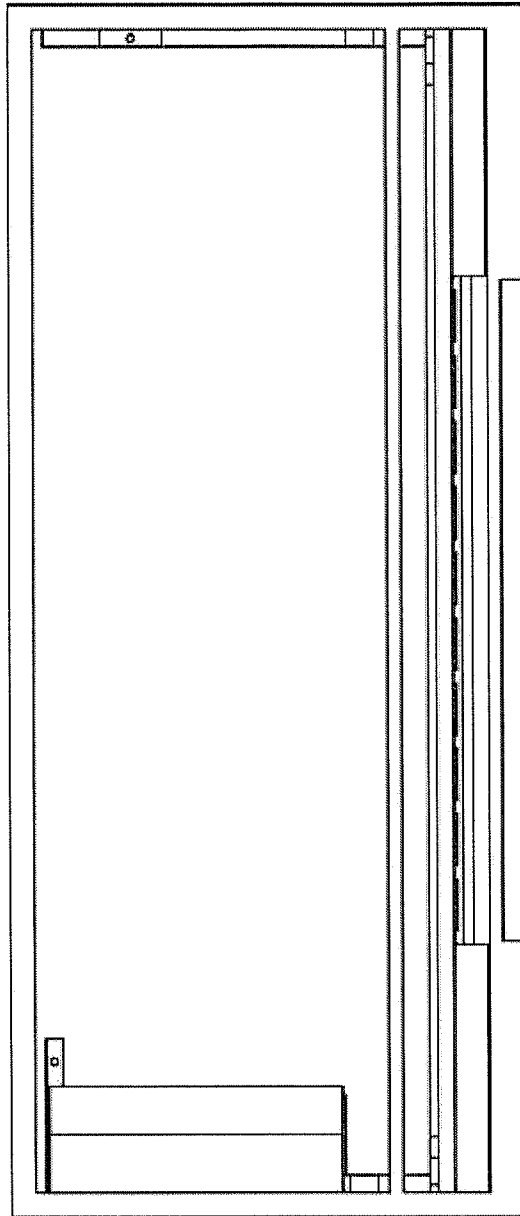


FIG 6

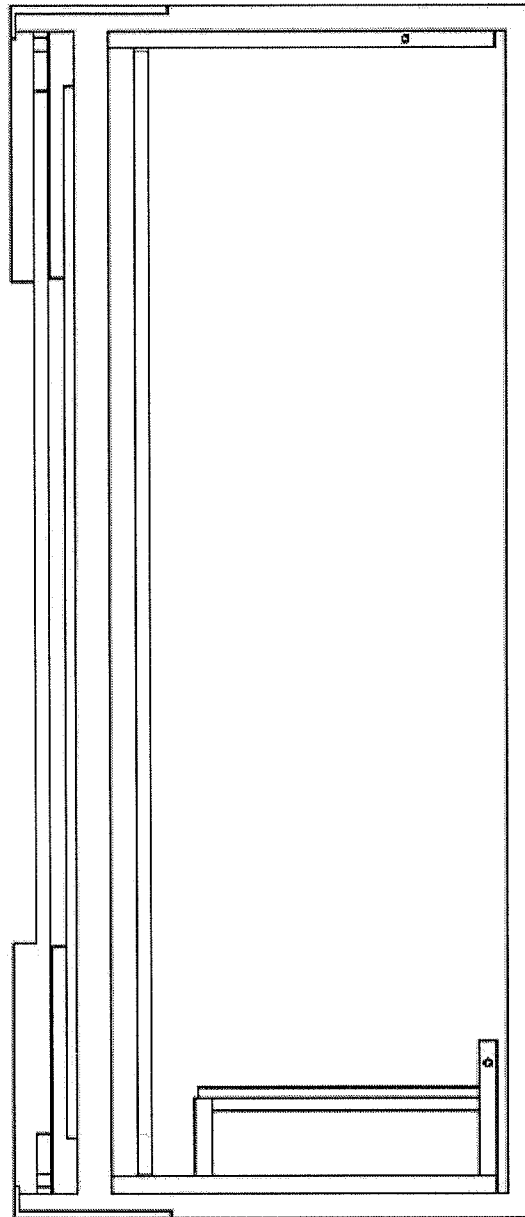


FIG 7