



- (51) International Patent Classification:
B63B 35/00 (2006.01)
- (21) International Application Number:
PCT/NO2011/000062
- (22) International Filing Date:
18 February 2011 (18.02.2011)
- (25) Filing Language: English
- (26) Publication Language: English
- (30) Priority Data:
20100246 18 February 2010 (18.02.2010) NO
20100323 8 March 2010 (08.03.2010) NO
- (71) Applicant (for all designated States except US): AKER
MARINE CONTRACTORS AS [NO/NO]; Postboks
247 Lilleaker, N-0216 Oslo (NO).
- (72) Inventor; and
- (75) Inventor/Applicant (for US only): VASSTRAND, Knut
[NO/NO]; Lillehagveien 65 B, N-1365 Blommenholm
(NO).
- (74) Agent: OSLO PATENTKONTOR AS; Postboks 7007
M, N-0306 Oslo (NO).

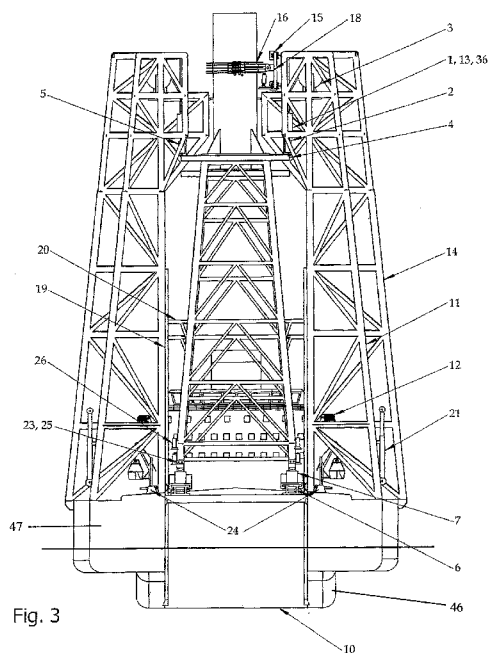
- (81) Designated States (unless otherwise indicated, for every kind of national protection available): AE, AG, AL, AM, AO, AT, AU, AZ, BA, BB, BG, BH, BR, BW, BY, BZ, CA, CH, CL, CN, CO, CR, CU, CZ, DE, DK, DM, DO, DZ, EC, EE, EG, ES, FI, GB, GD, GE, GH, GM, GT, HN, HR, HU, ID, IL, IN, IS, JP, KE, KG, KM, KN, KP, KR, KZ, LA, LC, LK, LR, LS, LT, LU, LY, MA, MD, ME, MG, MK, MN, MW, MX, MY, MZ, NA, NG, NI, NO, NZ, OM, PE, PG, PH, PL, PT, RO, RS, RU, SC, SD, SE, SG, SK, SL, SM, ST, SV, SY, TH, TJ, TM, TN, TR, TT, TZ, UA, UG, US, UZ, VC, VN, ZA, ZM, ZW.
- (84) Designated States (unless otherwise indicated, for every kind of regional protection available): ARIPO (BW, GH, GM, KE, LR, LS, MW, MZ, NA, SD, SL, SZ, TZ, UG, ZM, ZW), Eurasian (AM, AZ, BY, KG, KZ, MD, RU, TJ, TM), European (AL, AT, BE, BG, CH, CY, CZ, DE, DK, EE, ES, FI, FR, GB, GR, HR, HU, IE, IS, IT, LT, LU, LV, MC, MK, MT, NL, NO, PL, PT, RO, RS, SE, SI, SK, SM, TR), OAPI (BF, BJ, CF, CG, CI, CM, GA, GN, GQ, GW, ML, MR, NE, SN, TD, TG).

Declarations under Rule 4.17:

- as to applicant's entitlement to apply for and be granted a patent (Rule 4.17(ii))

[Continued on next page]

- (54) Title: A METHOD AND VESSEL FOR OFFSHORE TRANSPORT AND INSTALLATION OF WINDMILL ASSEMBLIES



- (57) Abstract: A method of and a vessel (9) for relocating from an on-shore assembly yard a number of complete windmill assemblies (37), each consisting of a tower (22) with generator fixed to a foundation substructure (34), to an offshore site and subsequent installation by a vessel (9) having a split bow (10). The windmill assemblies (37) are skidded over the bow (10) onto the deck of the vessel while standing in an upright position and remaining in that position during transit to the offshore installation site. There each windmill assembly (37) is skidded to the split bow (10) and lowered through the split bow to the seabed by installation means (1-5, 11, 39-45) on the bow while the vessel (9) is kept on station at least partly by a dynamic positioning system. The windmill assemblies (37) are guided and secured as necessary at upper and lower parts thereof in all operating scenarios, including skidding, transport and lowering, and any subsequent recovery for de-commissioning of an earlier installed windmill assembly by reversing the operating procedures above.



Published:

(88) Date of publication of the international search report:

17 November 2011

- *with international search report (Art. 21(3))*
- *before the expiration of the time limit for amending the claims and to be republished in the event of receipt of amendments (Rule 48.2(h))*

INTERNATIONAL SEARCH REPORT

International application No
PCT/N02011/000062

A. CLASSIFICATION OF SUBJECT MATTER
INV. B63B35/00
ADD.

According to International Patent Classification (IPC) or to both national classification and IPC

B. FIELDS SEARCHED
Minimum documentation searched (classification system followed by classification symbols)
B63B

Documentation searched other than minimum documentation to the extent that such documents are included in the fields searched

Electronic data base consulted during the international search (name of data base and, where practical, search terms used)
EPO-Internal

C. DOCUMENTS CONSIDERED TO BE RELEVANT

Category*	Citation of document, with indication, where appropriate, of the relevant passages	Relevant to claim No.
A	US 2007/102940 A1 (HANSEN SVEND E [DK]) 10 May 2007 (2007-05-10) page 4, paragraph 52 - page 9, paragraph 95; figures 1-16	1,7
A	----- WO 2009/080035 A2 (VESTAS WIND SYS AS [DK]; BOTWRIGHT ADRIAN [DK]) 2 July 2009 (2009-07-02) page 11, line 21 - page 12, line 17; figure 4	1,7
A	----- WO 03/066427 A1 (FRED OLSEN RENEWABLES LTD [GB]; STRUCTURAL ENGINEERING AS [NO]; OLSEN) 14 August 2003 (2003-08-14) cited in the application page 3, line 5 - page 10, line 19; figures 1-20 ----- -/--	1,7

Further documents are listed in the continuation of Box C. See patent family annex.

* Special categories of cited documents :

"A" document defining the general state of the art which is not considered to be of particular relevance

"E" earlier document but published on or after the international filing date

"L" document which may throw doubts on priority claim(s) or which is cited to establish the publication date of another citation or other special reason (as specified)

"O" document referring to an oral disclosure, use, exhibition or other means

"P" document published prior to the international filing date but later than the priority date claimed

"T" later document published after the international filing date or priority date and not in conflict with the application but cited to understand the principle or theory underlying the invention

"X" document of particular relevance; the claimed invention cannot be considered novel or cannot be considered to involve an inventive step when the document is taken alone

"Y" document of particular relevance; the claimed invention cannot be considered to involve an inventive step when the document is combined with one or more other such documents, such combination being obvious to a person skilled in the art.

"&" document member of the same patent family

Date of the actual completion of the international search 12 September 2011	Date of mailing of the international search report 26/09/2011
--	--

Name and mailing address of the ISA/ European Patent Office, P.B. 5818 Patentlaan 2 NL - 2280 HV Rijswijk Tel. (+31-70) 340-2040, Fax: (+31-70) 340-3016	Authorized officer Lendfers, Paul
--	--

INTERNATIONAL SEARCH REPORT

International application No PCT/N02011/000062

C(Continuation). DOCUMENTS CONSIDERED TO BE RELEVANT		
Category*	Citation of document, with indication, where appropriate, of the relevant passages	Relevant to claim No.
A	<p>WO 02/48547 A1 (MAMMOET MARINE B V I O [NL]; SEEGERS RAYMOND CHRISTIAAN [NL]; HOLTHAUS) 20 June 2002 (2002-06-20) page 5, line 26 - page 10, line 25; figures 1-9</p> <p align="center">-----</p>	1,7
A	<p>WO 03/093584 A1 (MARINE STRUCTURE CONSUL [NL]; MIKX JOHANNES WILHELMUS JACOBUS [NL]) 13 November 2003 (2003-11-13) page 7, line 13 - page 9, line 12; figures 1,2</p> <p align="center">-----</p>	1,7
A	<p>DE 103 32 382 A1 (SCHIFFFAHRTSKONTOR ALTES LAND G [DE]) 17 February 2005 (2005-02-17) page 2, paragraph 24 - page 4, paragraph 37; figures 1-4</p> <p align="center">-----</p>	1,7
A	<p>WO 2009/153530 A2 (TECHNIP FRANCE [FR]; CHOLLEY JEAN-MARC [FR]; LUQUIAU ERIC [FR]) 23 December 2009 (2009-12-23) page 7, line 12 - page 13, line 27; figures 1-11</p> <p align="center">-----</p>	1,7
A	<p>GB 2 434 823 A (ENGINEERING BUSINESS LTD [GB]) 8 August 2007 (2007-08-08) page 2, line 6 - page 6, line 32; figures 1,2</p> <p align="center">-----</p>	1,7

INTERNATIONAL SEARCH REPORT

Information on patent family members

International application No

PCT/N02011/000062

Patent document cited in search report	Publication date	Publication date	Patent family member(s)	Publication date
US 2007102940	A1	10-05-2007	NONE	

WO 2009080035	A2	02-07-2009	CA 2710058 A1	02-07-2009
			CN 101903235 A	01-12-2010
			EP 2231469 A2	29-09-2010
			US 2010316450 A1	16-12-2010

WO 03066427	A1	14-08-2003	AU 2002239178 A1	02-09-2003

WO 0248547	A1	20-06-2002	AT 355459 T	15-03-2006
			AU 1972102 A	24-06-2002
			DE 60126984 T2	22-11-2007
			DK 1356205 T3	02-07-2007
			EP 1356205 A1	29-10-2003
			GB 2390632 A	14-01-2004
			NL 1016859 C2	14-06-2002
			US 2004042876 A1	04-03-2004

WO 03093584	A1	13-11-2003	AU 2003235473 A1	17-11-2003
			DE 60316279 T2	05-06-2008
			DK 1499778 T3	21-01-2008
			EP 1499778 A1	26-01-2005
			NL 1020512 C2	06-11-2003

DE 10332382	A1	17-02-2005	NONE	

WO 2009153530	A2	23-12-2009	AU 2009261799 A1	23-12-2009
			CN 102105348 A	22-06-2011
			EP 2307269 A2	13-04-2011
			FR 2932771 A1	25-12-2009
			US 2011139056 A1	16-06-2011

GB 2434823	A	08-08-2007	EP 1986947 A1	05-11-2008
			GB 2444207 A	28-05-2008
			GB 2445138 A	25-06-2008
			WO 2007091042 A1	16-08-2007
			US 2009028647 A1	29-01-2009
