



US00D997104S

(12) **United States Design Patent**
Shuyler

(10) **Patent No.:** **US D997,104 S**

(45) **Date of Patent:** **** Aug. 29, 2023**

(54) **EXTENSION CORD PLUG AND RECEPTACLE**

(71) Applicant: **Phillip E Shuyler**, Woodland Hills, CA (US)

(72) Inventor: **Phillip E Shuyler**, Woodland Hills, CA (US)

(**) Term: **15 Years**

(21) Appl. No.: **29/885,420**

(22) Filed: **Feb. 23, 2023**

(51) **LOC (14) Cl.** **13-03**

(52) **U.S. Cl.**
USPC **D13/137.4; D13/138.2**

(58) **Field of Classification Search**
USPC **D13/133, 137.1, 137.4, 138.1–138.2, D13/139.1, 146, 154, 156, 184**
(Continued)

(56) **References Cited**

U.S. PATENT DOCUMENTS

1,918,126 A * 7/1933 Peterson H01R 13/512
439/687
2,100,094 A * 11/1937 Wahl H01R 31/00
439/600

(Continued)

OTHER PUBLICATIONS

Cablesgo, Date: Sep. 24, 2021, [online], [site visited Mar. 22, 2023]. Available from internet, URL: <https://www.cablesgo.com/product/denmark-extension-cord-16a/> (Year: 2021).*

(Continued)

Primary Examiner — Shawn T Gingrich

Assistant Examiner — Bryan N. Melvin

(74) *Attorney, Agent, or Firm* — Barry Choobin; Patent 360

(57) **CLAIM**

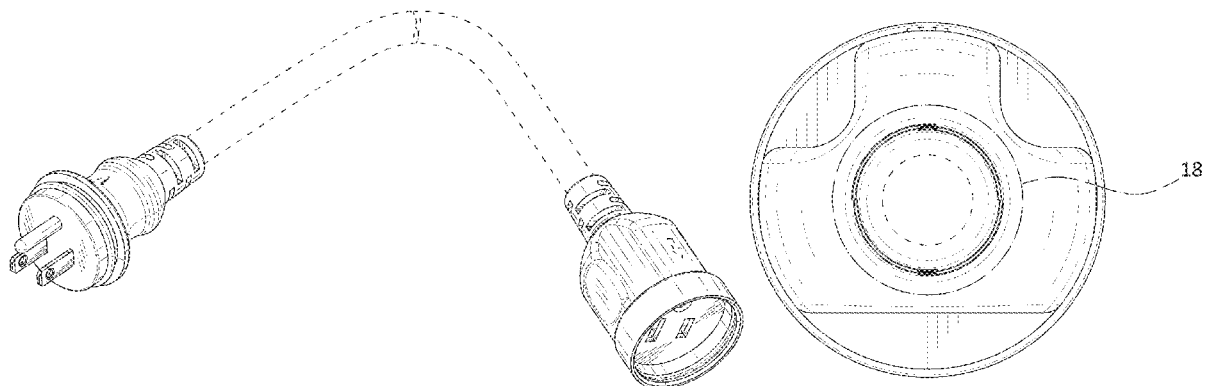
The ornamental design for an extension cord plug and receptacle, as shown and described.

DESCRIPTION

FIG. 1 is a perspective view of an extension cord plug and receptacle, showing my new design; FIG. 2 is a perspective view of the extension cord receptacle shown on the right side of FIG. 1; FIG. 3 is a front view of the extension cord receptacle shown in FIG. 2; FIG. 4 is a rear view of the extension cord receptacle shown in FIG. 2; FIG. 5 is a left side view of the extension cord receptacle shown in FIG. 2; FIG. 6 is a right side view of the extension cord receptacle shown in FIG. 2; FIG. 7 is a top view of the extension cord receptacle shown in FIG. 2; FIG. 8 is a bottom view of the extension cord receptacle shown in FIG. 2; FIG. 9 is a cross-sectional view taken along the line 9-9 of FIG. 7; FIG. 10 is a cross-sectional view taken along the line 10-10 of FIG. 7; FIG. 11 is a perspective view of the extension cord plug shown on the left side of FIG. 1; FIG. 12 is a front view of the extension cord plug shown in FIG. 11; FIG. 13 is a rear view of the extension cord plug shown in FIG. 11; FIG. 14 is a left side view of the extension cord plug shown in FIG. 11; FIG. 15 is a right side view of the extension cord plug shown in FIG. 11; FIG. 16 is a top view of the extension cord plug shown in FIG. 11; FIG. 17 is a bottom view of the extension cord plug shown in FIG. 11; FIG. 18 is an enlarged view of FIG. 8; and, FIG. 19 is an enlarged view of FIG. 17.

The Dash-Dash broken lines depict portions of the extension cord plug and receptacle that form no part of the claimed

(Continued)



design. The dot-dash broken lines in FIGS. 8, 17, 18 and 19 depict the boundaries of the enlargements that form no part of the claimed design.

1 Claim, 17 Drawing Sheets

(58) **Field of Classification Search**

CPC H01R 13/20; H01R 13/44; H01R 13/5202;
 H01R 13/5213; H01R 13/5219; H01R
 13/6392; H01R 24/20; H01R 24/28;
 H01R 31/00; H01R 31/06; H01R 27/00
 See application file for complete search history.

(56) **References Cited**

U.S. PATENT DOCUMENTS

D217,614 S * 5/1970 Kress D13/138.2
 3,571,781 A * 3/1971 Gartland, Jr. H01R 13/595
 439/465
 D235,265 S * 6/1975 Michener D13/137.4
 4,003,622 A * 1/1977 Gartland, Jr. H01R 24/005
 439/347
 4,643,505 A 2/1987 House et al.
 D296,779 S 7/1988 Watson
 5,217,387 A 6/1993 Alkire
 5,259,782 A 11/1993 Giffin
 5,286,213 A * 2/1994 Altergott H01R 13/44
 200/51.09
 5,299,951 A 4/1994 Blaetz

5,347,084 A 9/1994 Roney et al.
 5,630,726 A * 5/1997 Baldwin H01R 13/642
 439/270
 5,696,351 A 12/1997 Ericsson
 5,813,879 A 9/1998 Russo
 D404,008 S * 1/1999 Bennet D13/137.1
 6,036,526 A 3/2000 Alfis, III
 D460,735 S * 7/2002 Verfuert D13/137.4
 D466,867 S * 12/2002 Krobusek D13/137.4
 7,189,100 B1 3/2007 Colbourne
 7,195,505 B1 3/2007 Becker
 7,285,725 B1 10/2007 Saman
 D586,757 S 2/2009 Minnick
 7,553,181 B1 6/2009 Van Dalinda, III
 D604,245 S * 11/2009 Reusche D13/133
 D645,000 S 9/2011 Yoshida
 9,368,907 B2 6/2016 Becker
 D776,623 S 1/2017 Jenkins
 D821,988 S 7/2018 Chang
 10,950,973 B2 * 3/2021 Hale H01R 13/6392
 2008/0194137 A1 8/2008 Kuo

OTHER PUBLICATIONS

ShowMe, Date: Not Available, [online], [site visited Mar. 22, 2023].
 Available from internet, URL: <https://www.showmecables.com/44-339-7-6m> (Year: 2023).*
 Regvolt, Date: Sep. 15, 2020, [online], [site visited Mar. 22, 2023].
 Available from internet, URL: <https://www.110220volts.com/regvolt-european-schuko-extension-power-cord.html> (Year: 2020).*

* cited by examiner

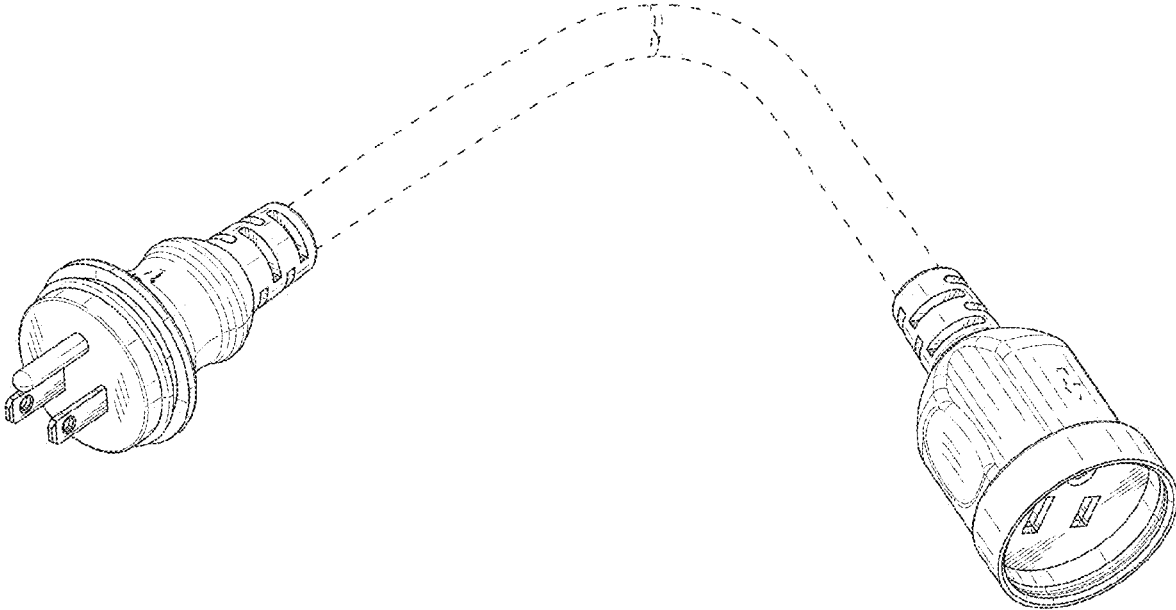


FIG. 1

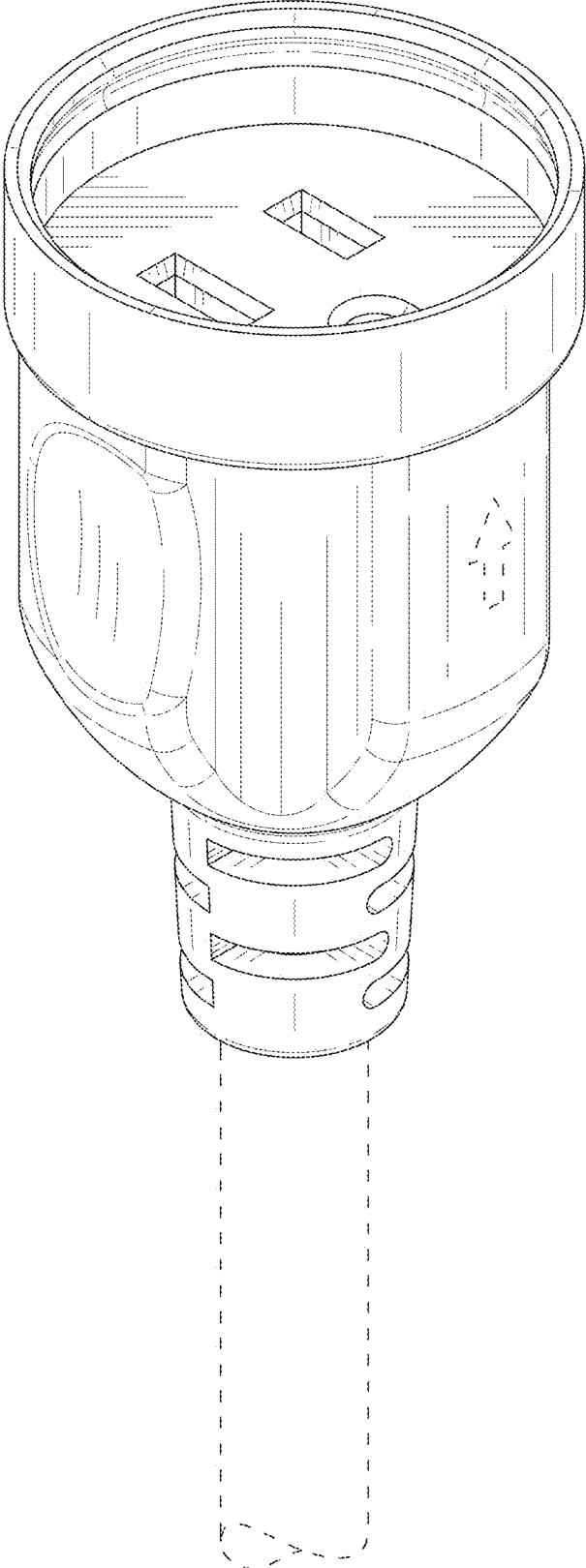


FIG. 2

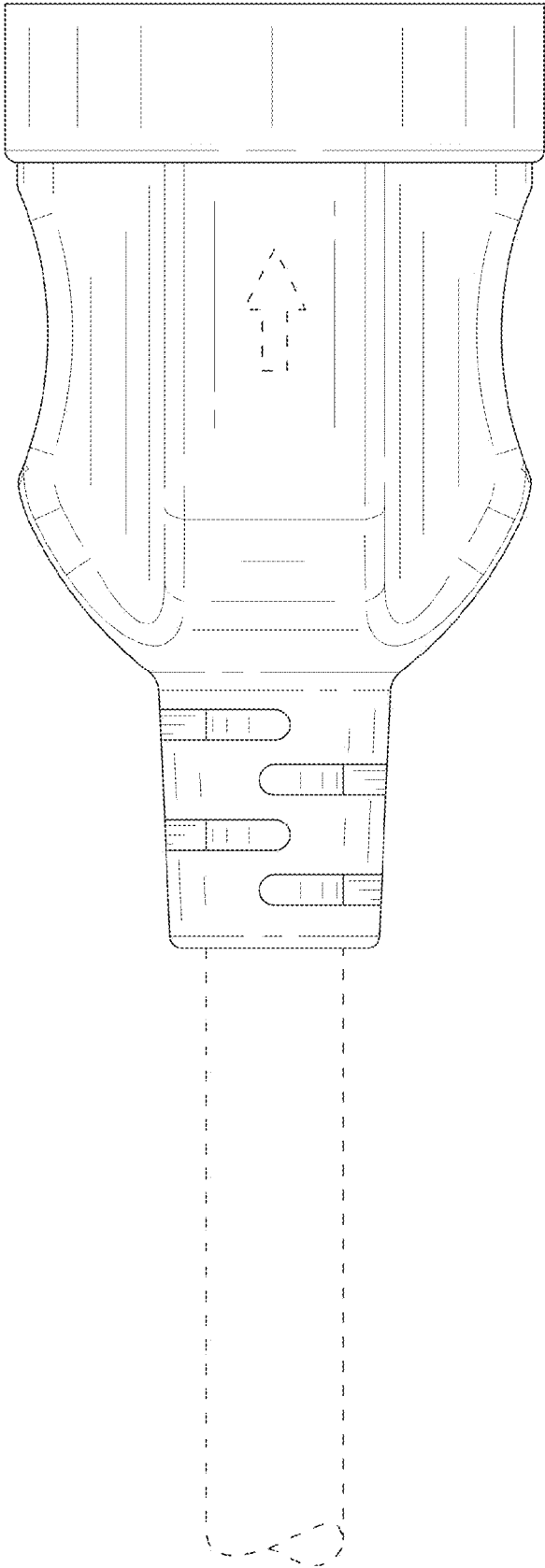


FIG. 3

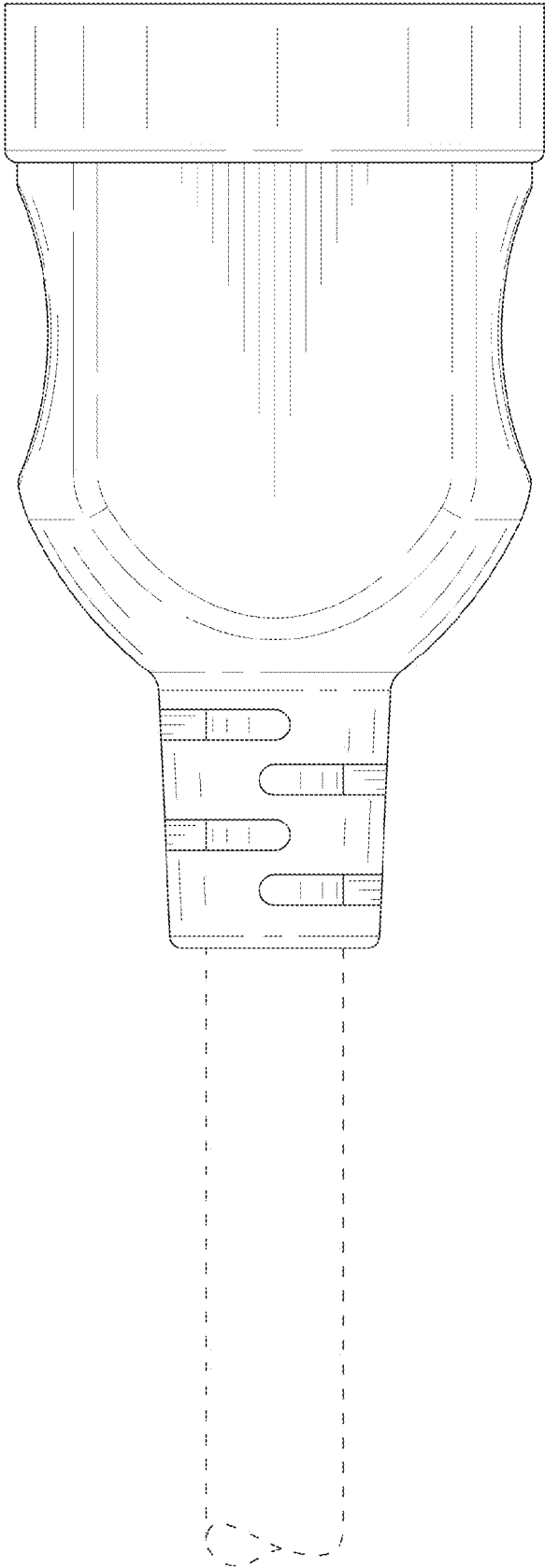


FIG. 4

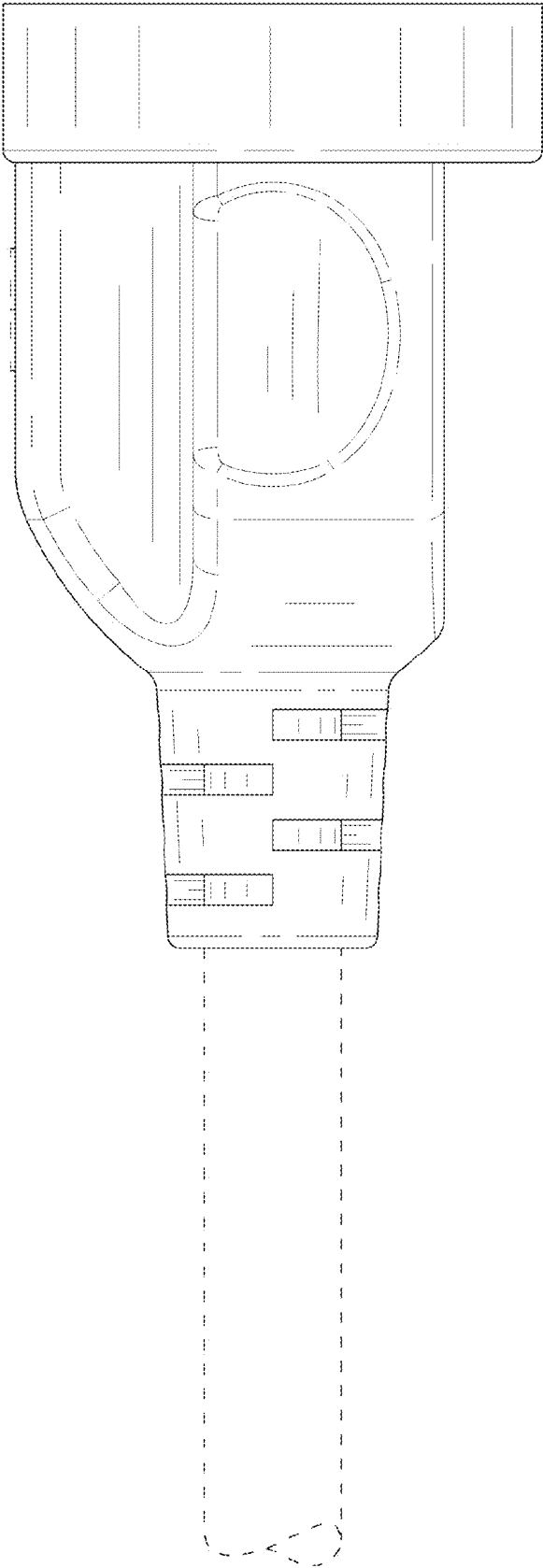


FIG. 5

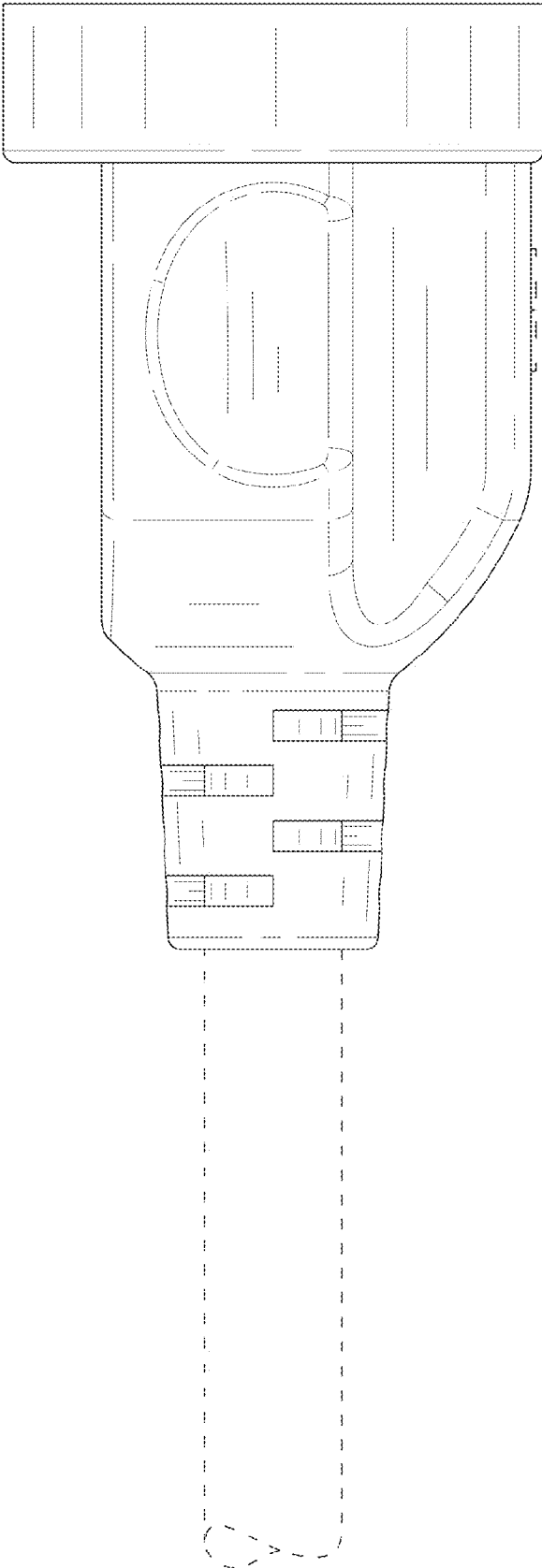


FIG. 6

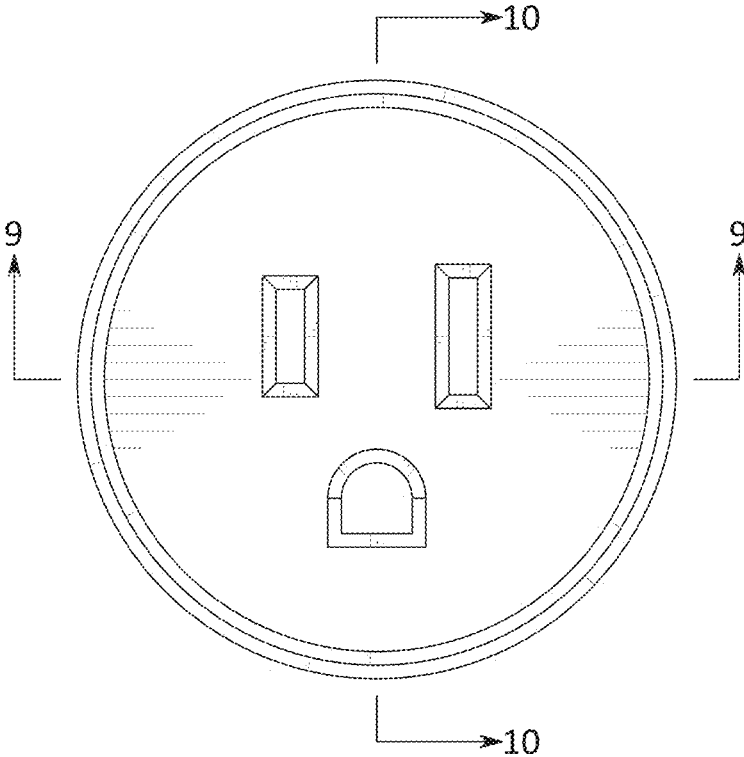


FIG. 7

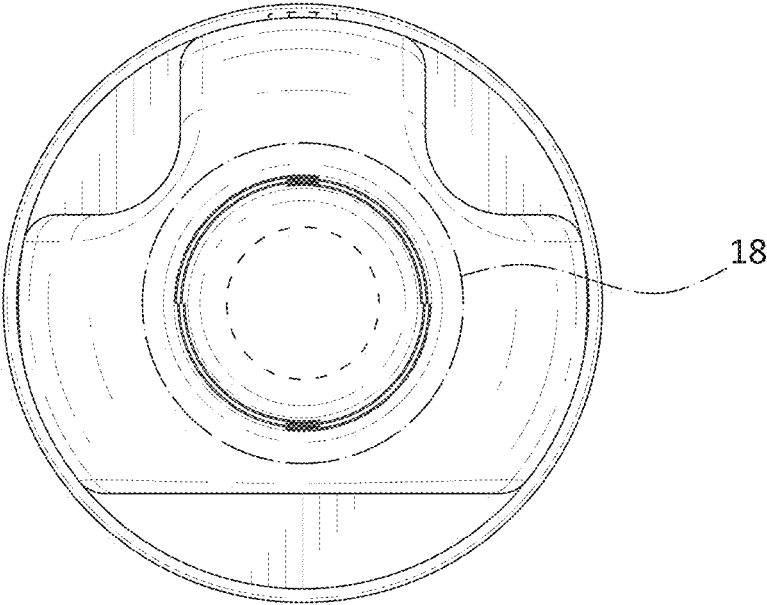


FIG. 8

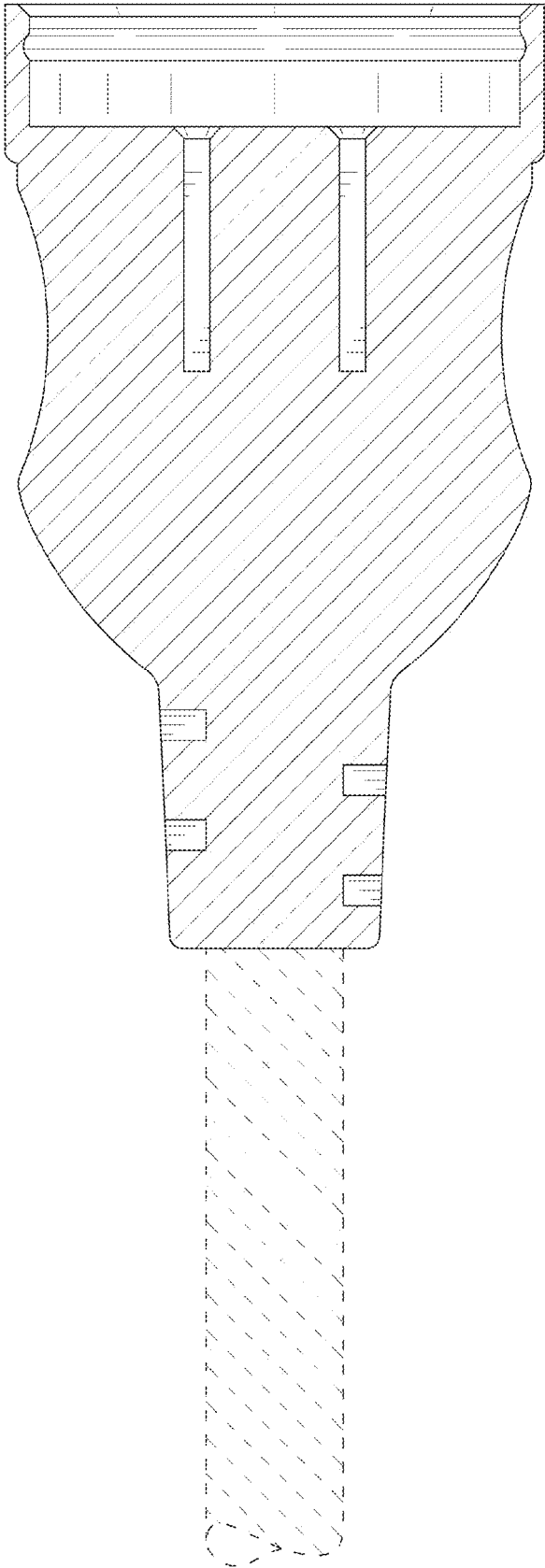


FIG. 9

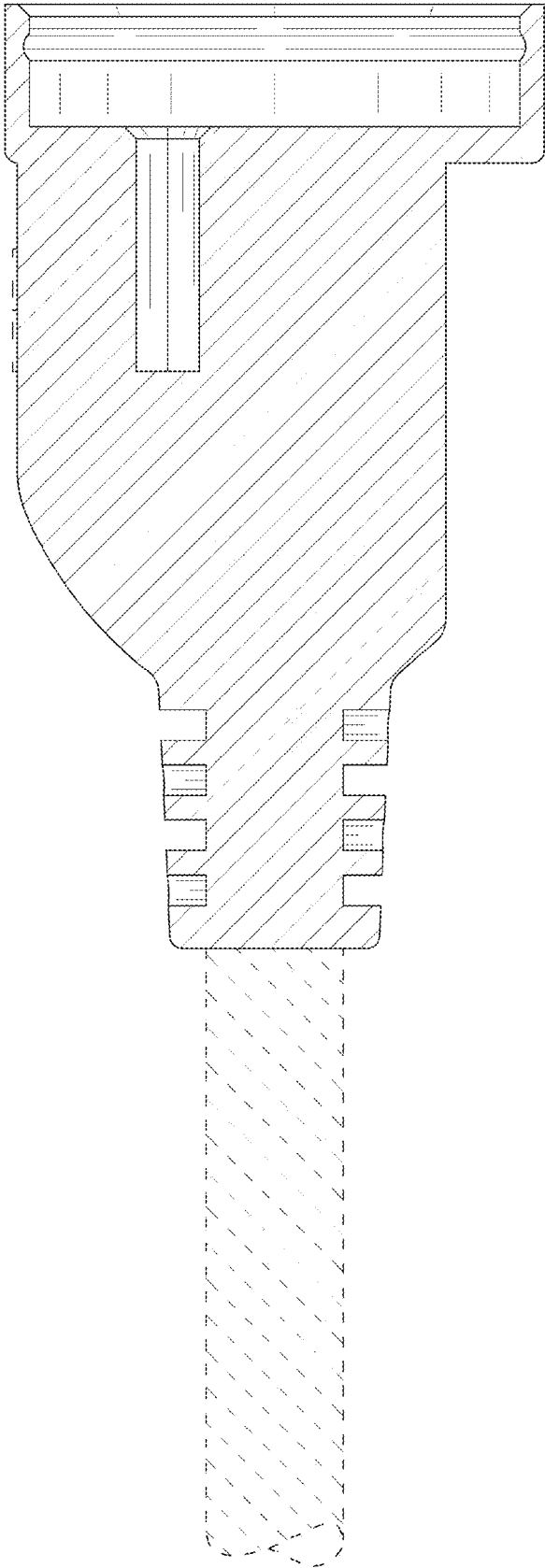


FIG. 10

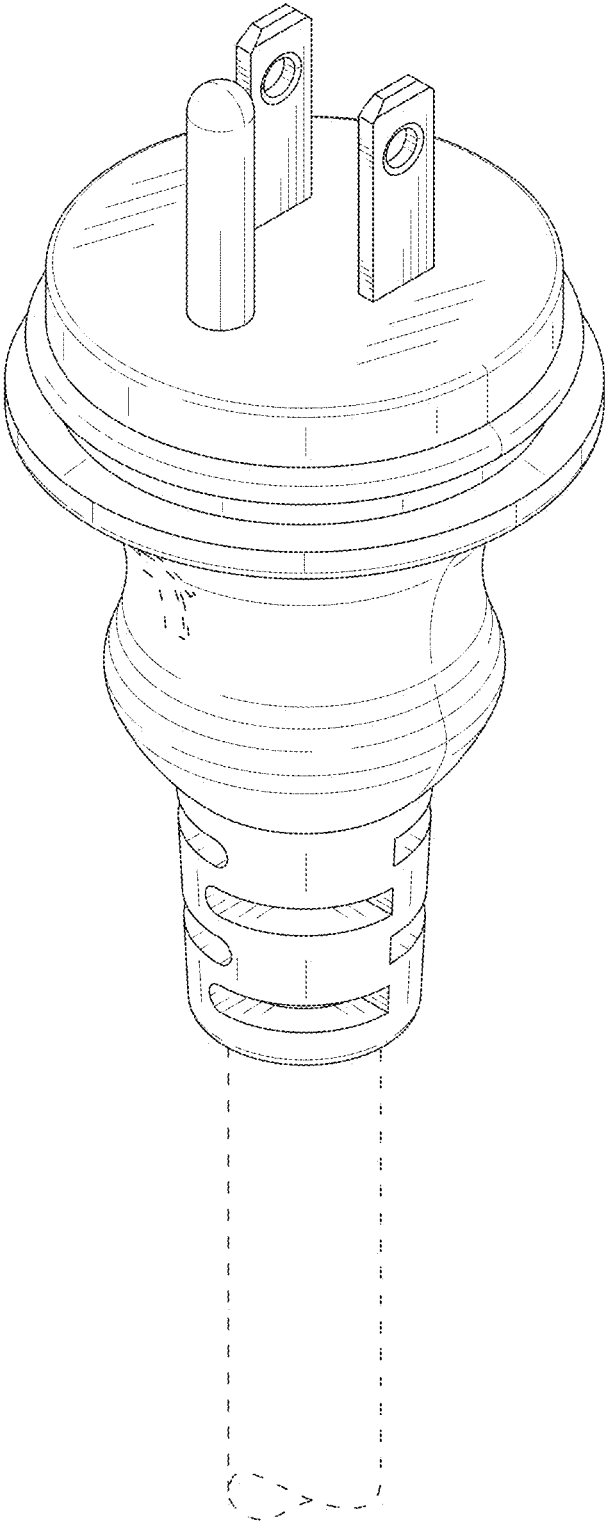


FIG. 11

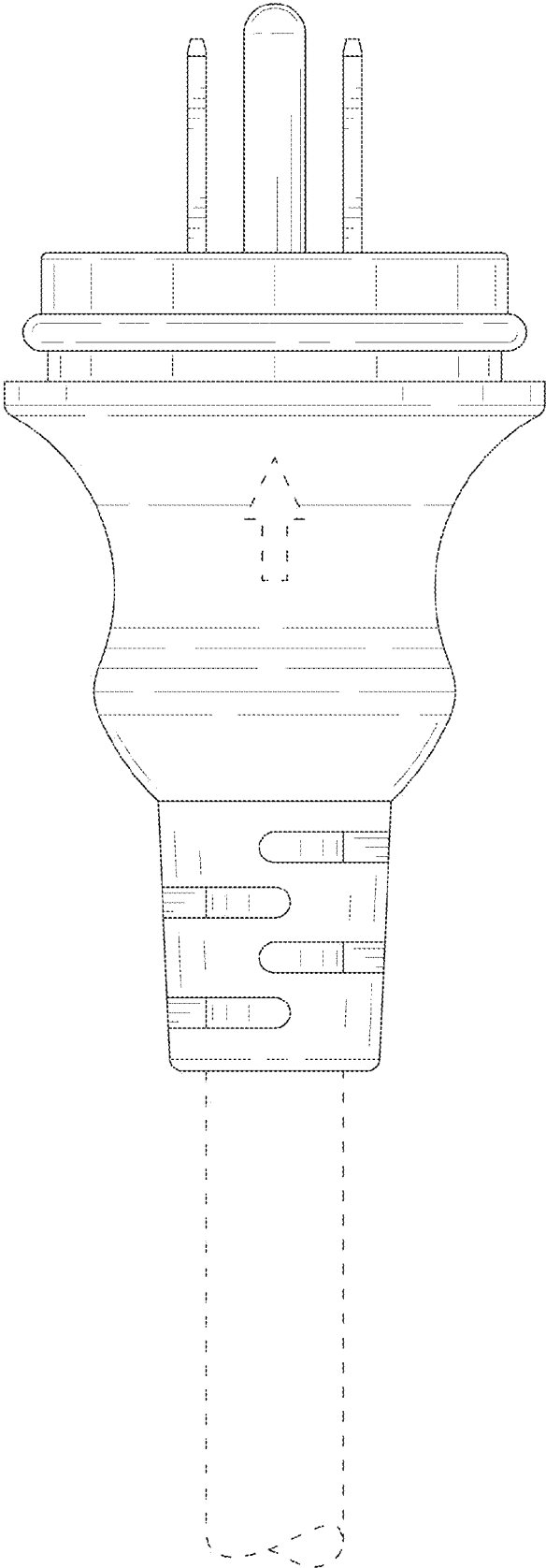


FIG. 12

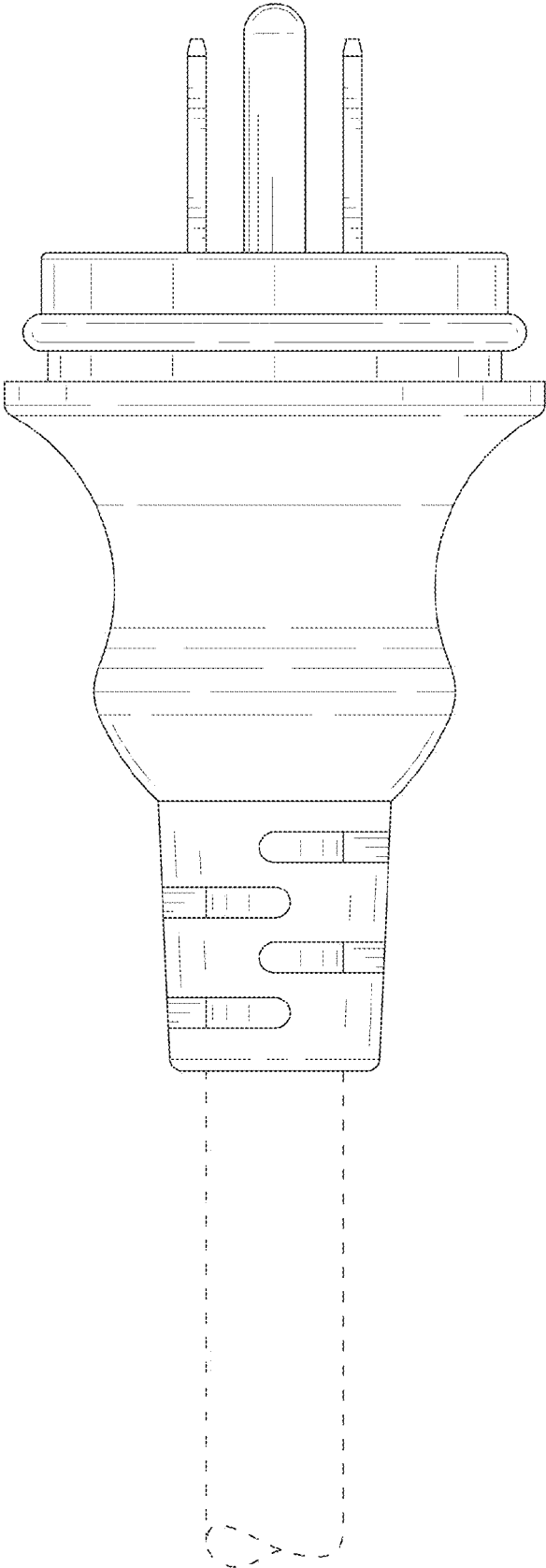


FIG. 13

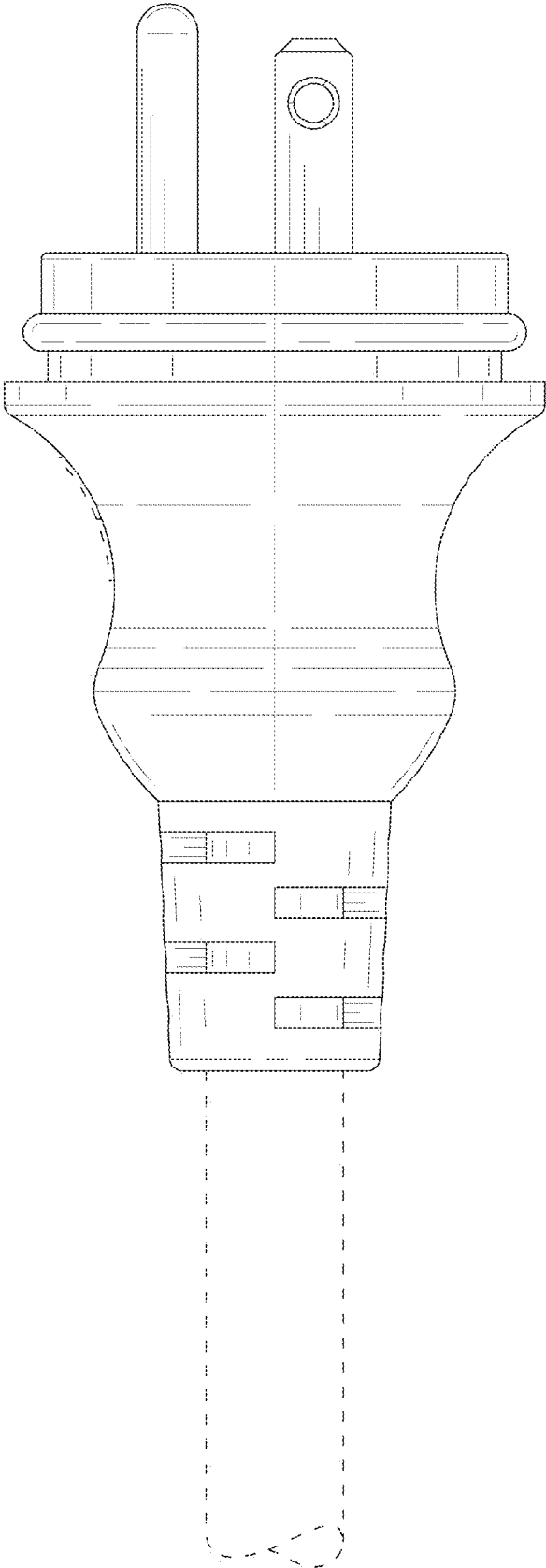


FIG. 14

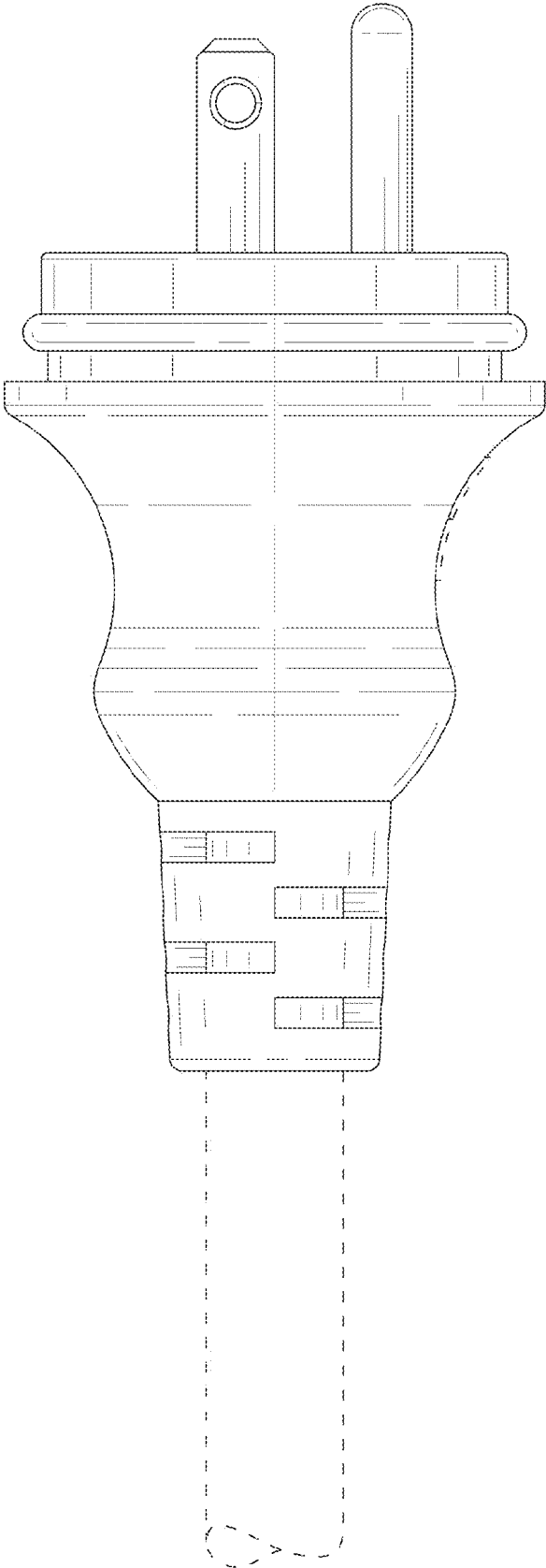


FIG. 15

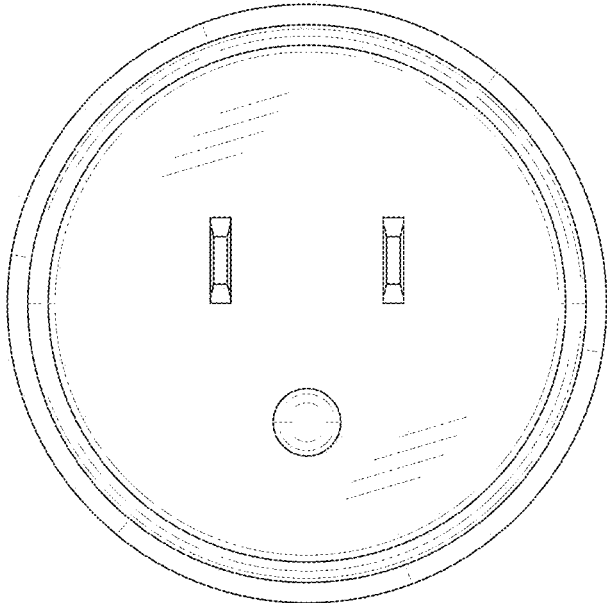


FIG. 16

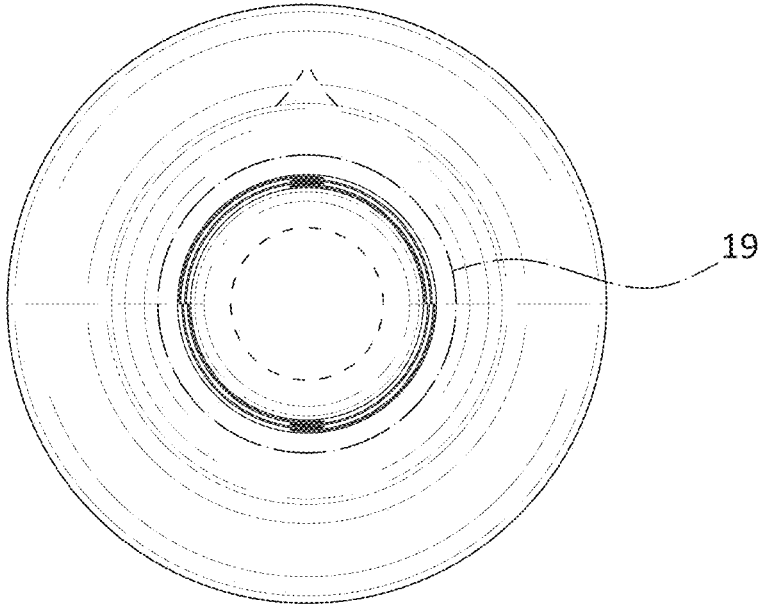


FIG. 17

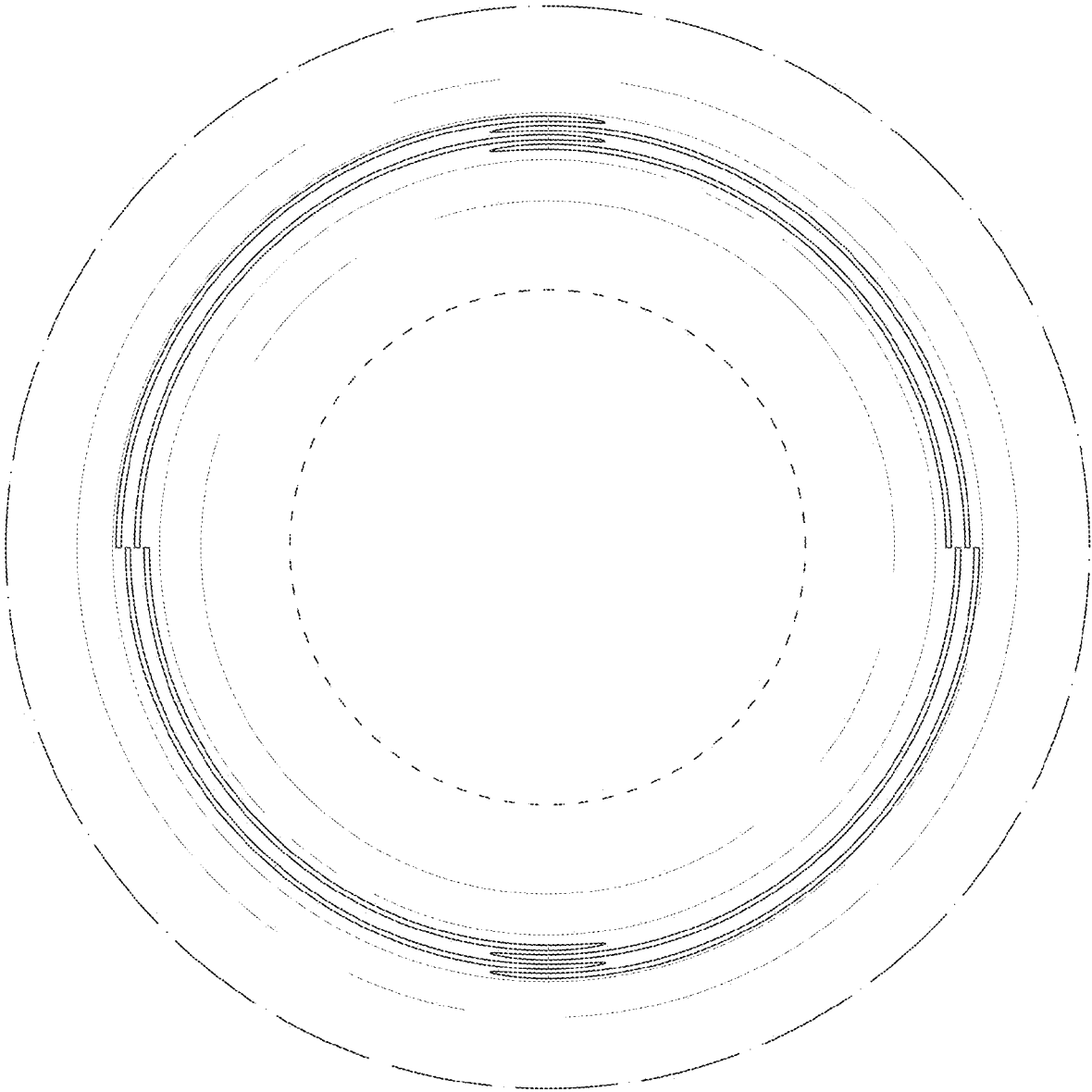


FIG. 18

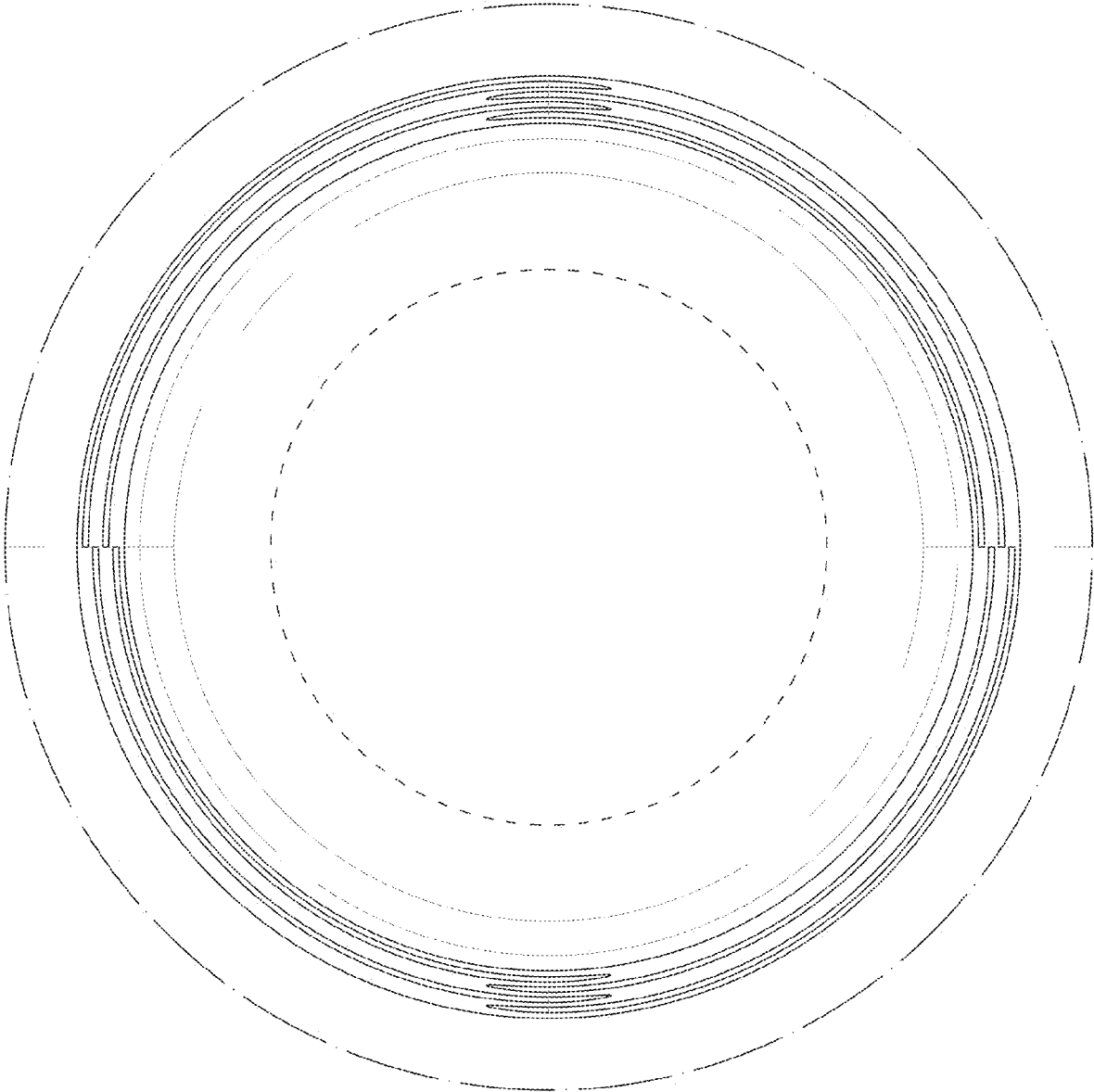


FIG. 19