



US00D910262S

(12) **United States Design Patent**  
**Tracy**

(10) **Patent No.:** **US D910,262 S**

(45) **Date of Patent:** **\*\* Feb. 9, 2021**

(54) **DEVICE ENCLOSURE**

(71) Applicant: **THE RAYMOND CORPORATION**,  
Greene, NY (US)

(72) Inventor: **Erik Tracy**, Johnson City, NY (US)

(73) Assignee: **The Raymond Corporation**, Greene,  
NY (US)

(\*\*) Term: **15 Years**

(21) Appl. No.: **29/686,681**

(22) Filed: **Apr. 5, 2019**

(51) **LOC (13) Cl.** ..... **12-05**

(52) **U.S. Cl.**

USPC ..... **D34/35**

(58) **Field of Classification Search**

USPC ..... D34/12-20, 23-28, 33-35, 37; D15/10,  
D15/23-33; D12/86, 90-92, 163, 164,  
D12/169, 171, 196, 216

CPC ..... B60R 19/02; B60R 19/04; B60R 19/18;  
B60R 19/24; B60R 19/56; B60R  
2019/007; B62D 25/08

See application file for complete search history.

(56) **References Cited**

**U.S. PATENT DOCUMENTS**

D395,115 S *	6/1998	Russey .....	D34/34
D579,623 S *	10/2008	Kim .....	D34/34
D663,502 S *	7/2012	Lin .....	D34/34
D694,984 S *	12/2013	Kawakami .....	D34/34
D731,737 S *	6/2015	Seimiya .....	D34/34
D752,310 S *	3/2016	Wen .....	D34/28
D756,059 S *	5/2016	Kang .....	D34/34

D782,770 S *	3/2017	Kang .....	D34/34
D790,149 S *	6/2017	Kang .....	D34/34
D808,106 S *	1/2018	Wen .....	D34/28
D808,107 S *	1/2018	Wen .....	D34/28
2020/0140137 A1*	5/2020	Harnack .....	B65D 5/6664

\* cited by examiner

*Primary Examiner* — George A Bugg

*Assistant Examiner* — Tamara L Hahn

(74) *Attorney, Agent, or Firm* — Quarles & Brady LLP

(57) **CLAIM**

The ornamental design for a device enclosure, as shown and described.

**DESCRIPTION**

FIG. 1 is a top, right, and rear isometric view of an ornamental design for a device enclosure;

FIG. 2 is a top, left, and front isometric view of the device enclosure of FIG. 1;

FIG. 3 is a top, right, and rear isometric view of the device enclosure of FIG. 1, wherein environmental portions have been removed for clarity;

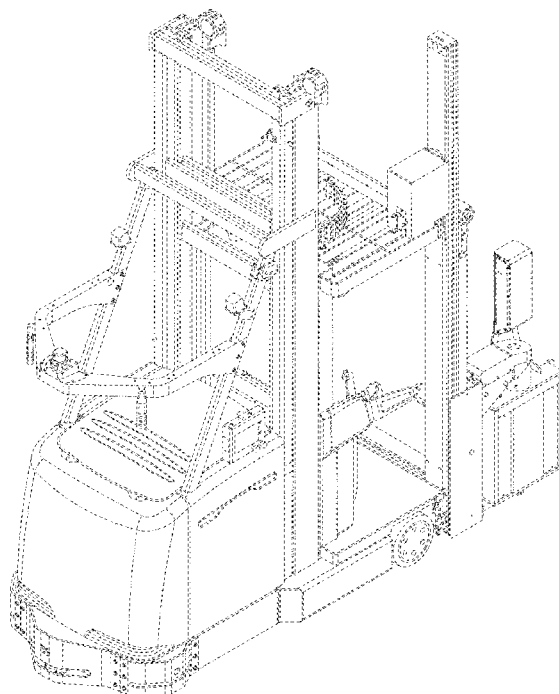
FIG. 4 is a front elevational view of the device enclosure of FIG. 3;

FIG. 5 is a left side elevational view of the device enclosure of FIG. 3; and,

FIG. 6 is a right side elevational view of the device enclosure of FIG. 3.

The dash-dash-dash lines are included for the purpose of illustrating portions that form no part of the claimed design. The dash-dot-dash broken lines depict boundary lines and form no part of the claimed design.

**1 Claim, 6 Drawing Sheets**



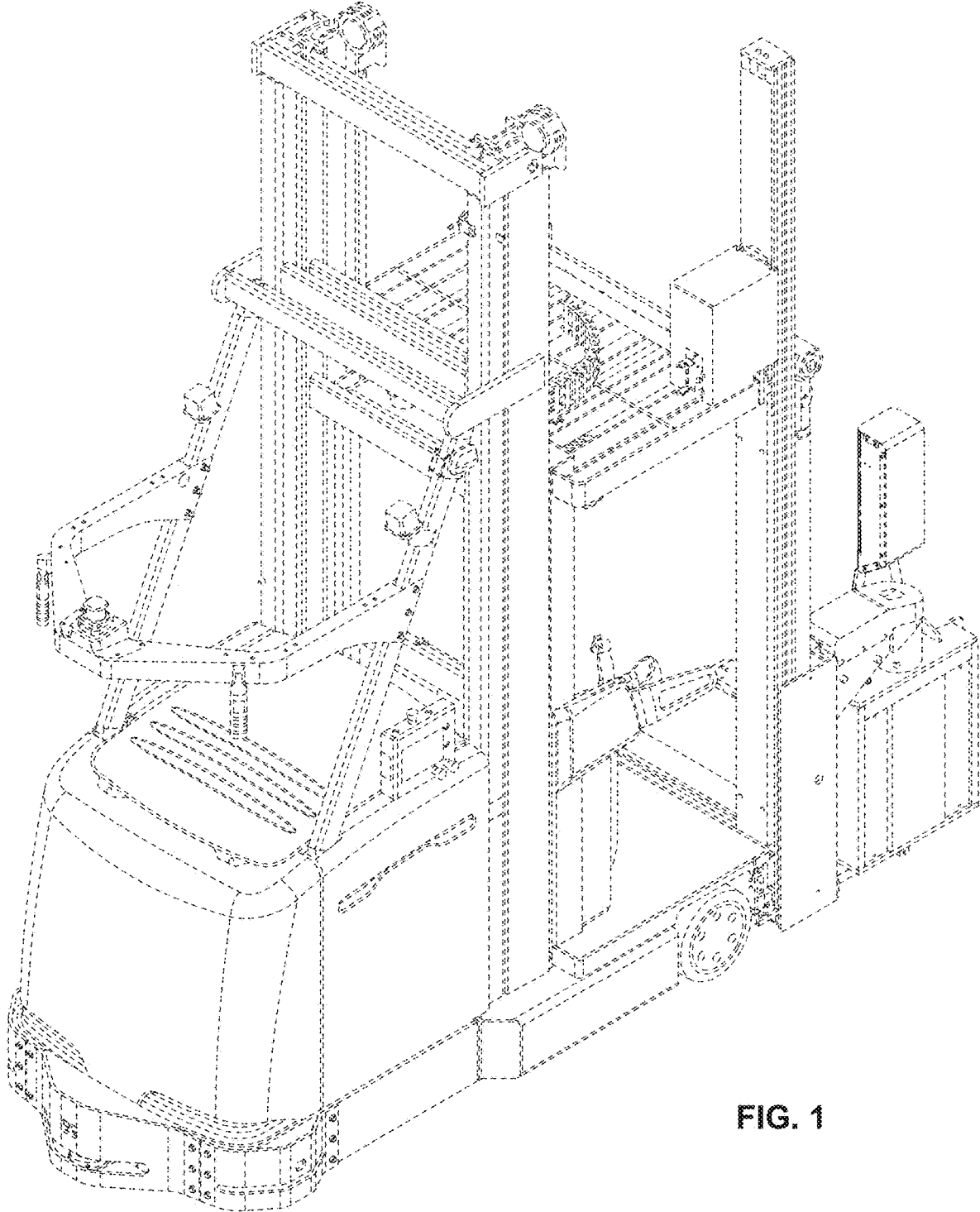


FIG. 1

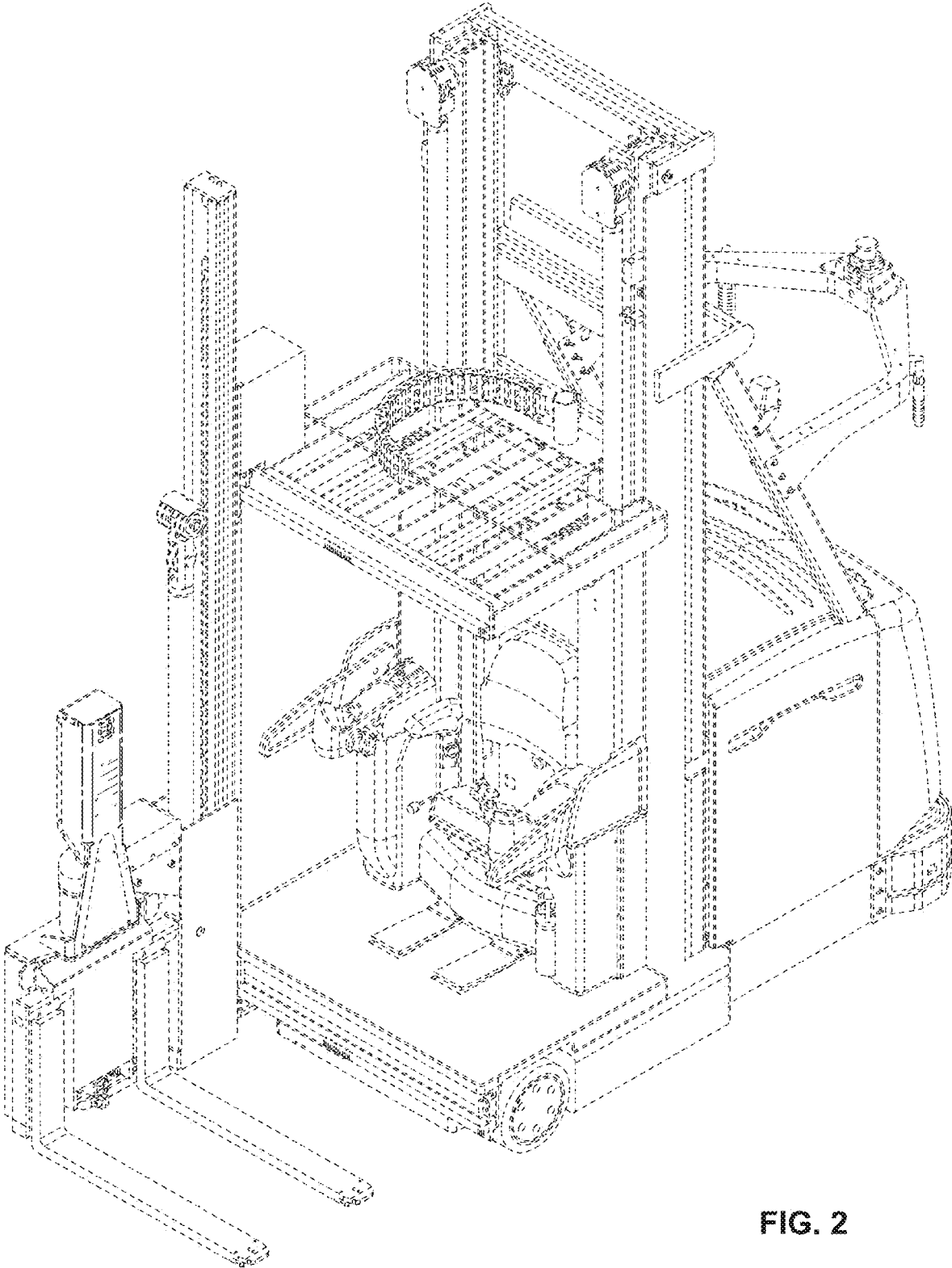


FIG. 2

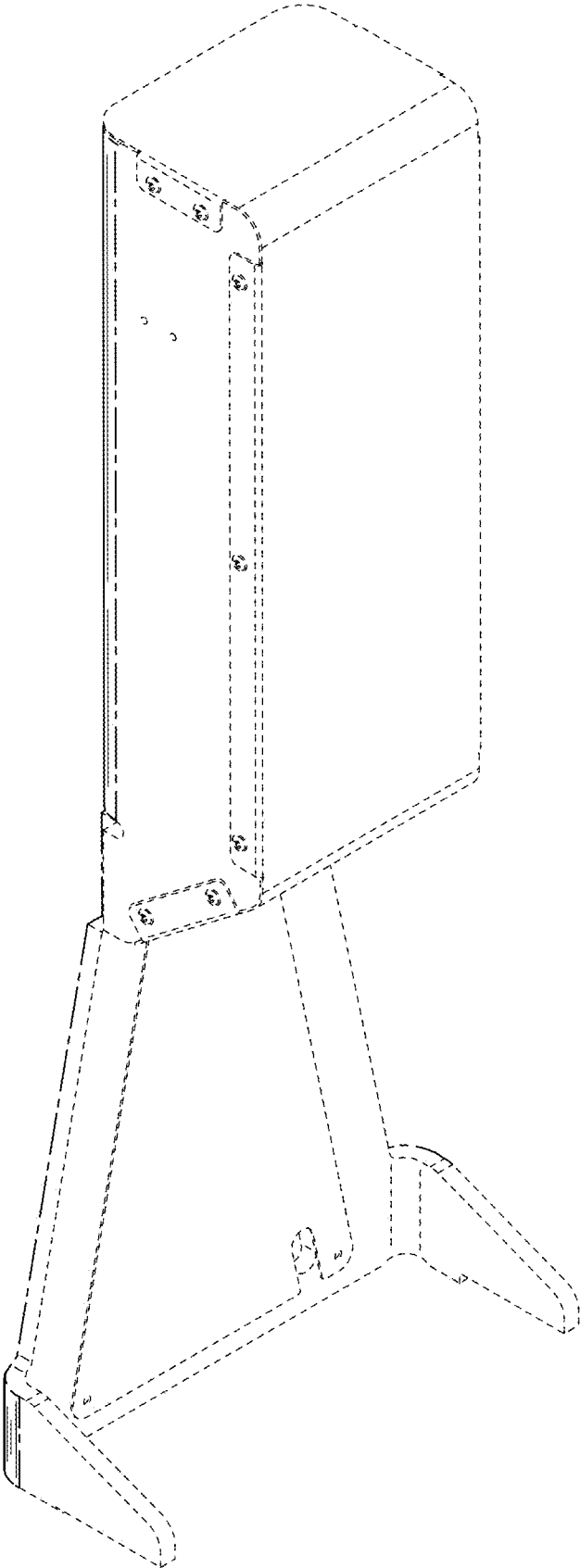


FIG. 3

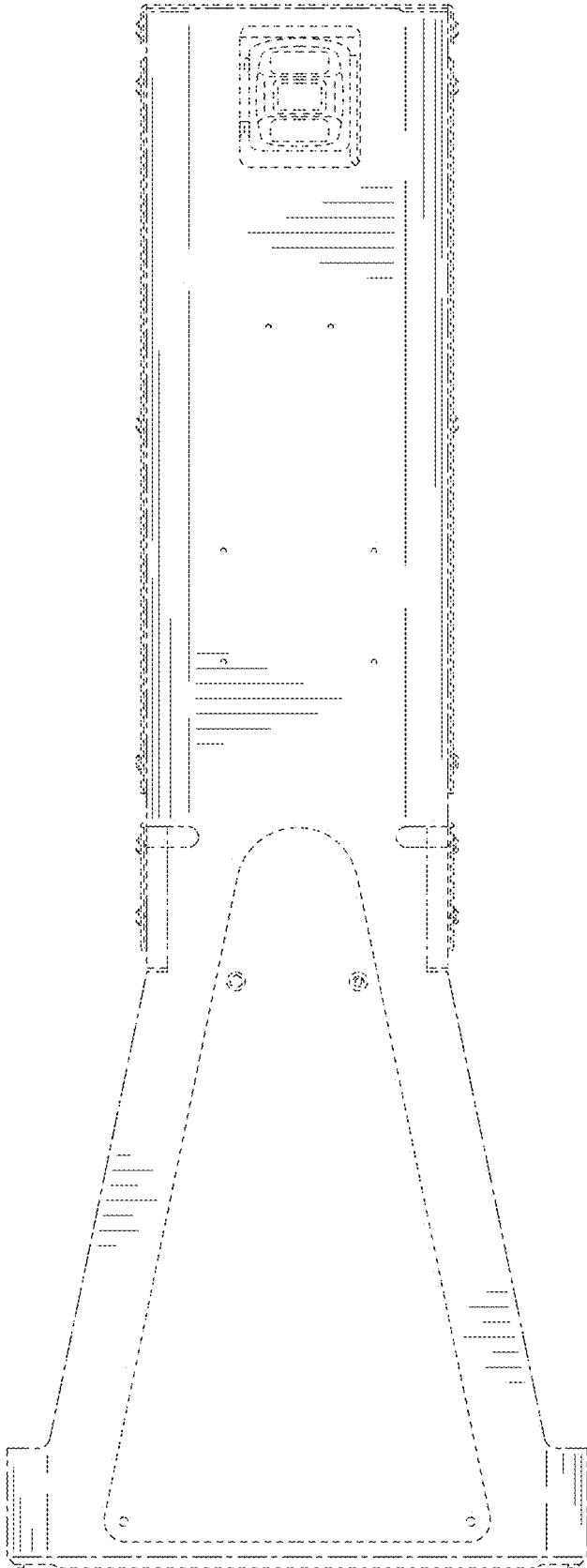


FIG. 4

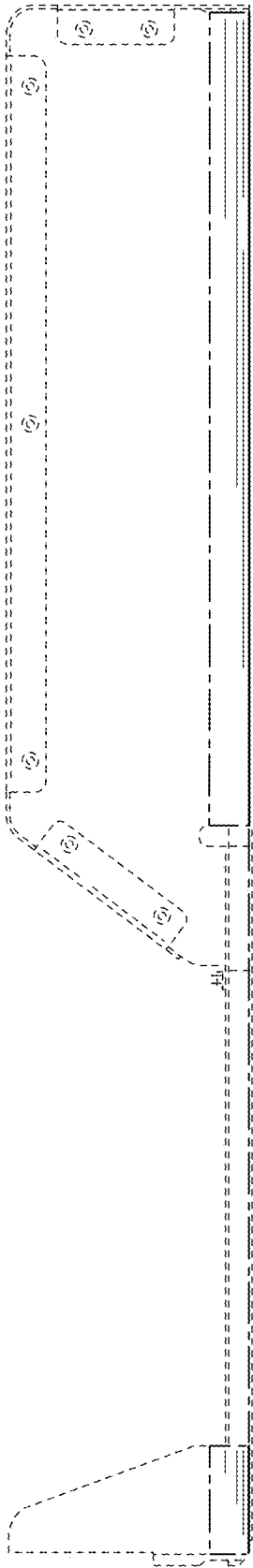


FIG. 5

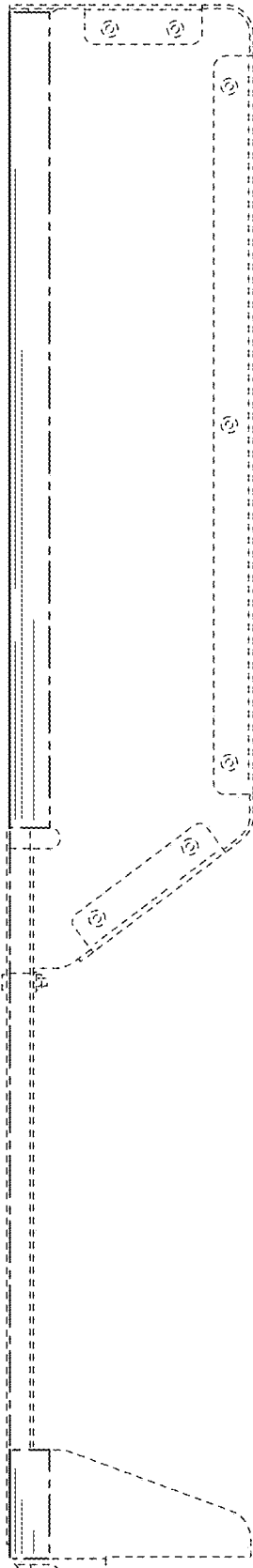


FIG. 6