



US0D1046554S

(12) **United States Design Patent**  
**Brunner**

(10) **Patent No.:** **US D1,046,554 S**

(45) **Date of Patent:** **\*\* Oct. 15, 2024**

- (54) **COOKING RACK**
- (71) Applicant: **IB APPLIANCES US HOLDINGS LLC**, Downers Grove, IL (US)
- (72) Inventor: **Tyler J. Brunner**, Durand, WI (US)
- (73) Assignee: **IB APPLIANCES US HOLDINGS LLC**, Downers Grove, IL (US)

D479,435 S *	9/2003	Siegel .....	D7/409
D668,103 S *	10/2012	Cloutier .....	D7/402
D694,580 S *	12/2013	Cloutier .....	D7/402
8,627,764 B1 *	1/2014	Cloutier .....	A47J 37/0694 99/449
D774,356 S *	12/2016	Maiorana .....	D7/409
D861,427 S *	10/2019	Irwin, Jr. ....	D7/409

(Continued)

(\*\*) Term: **15 Years**

GB 6288341 \* 6/2023

(21) Appl. No.: **29/868,682**

(22) Filed: **Dec. 12, 2022**

(51) **LOC (14) Cl.** ..... **07-02**

(52) **U.S. Cl.**  
USPC ..... **D7/409**

(58) **Field of Classification Search**

USPC ..... D7/213, 323-367, 387, 388, 390, 391, D7/402, 407-411, 704; D6/678.3

CPC ..... A47J 19/00; A47J 19/005; A47J 27/05; A47J 27/06; A47J 36/00; A47J 36/025; A47J 36/16; A47J 36/165; A47J 36/18; A47J 36/20; A47J 36/22; A47J 37/00; A47J 37/01; A47J 37/015; A47J 37/04; A47J 37/041; A47J 37/042; A47J 37/043; A47J 37/044; A47J 37/045; A47J 37/046; A47J 37/047; A47J 37/048; A47J 37/049; A47J 37/06; A47J 37/0605; A47J 37/0611; A47J 37/0629; A47J 3/0635; A47J 37/0641; A47J 37/0647; A47J 37/067; A47J 37/0676; A47J 37/0682; A47J 37/0688; A47J 37/0694; A47J 37/079; A47J 37/0786; A47J 2037/0795; A47J 37/0871; A47J 37/0878; A47J 37/0885; A47J 37/108; A47J 37/1271; A47J 37/129; A47J 37/1295; A47J 43/22; A47J 27/21058; A47J 43/18

See application file for complete search history.

(56) **References Cited**

**U.S. PATENT DOCUMENTS**

D237,849 S *	12/1975	Hale .....	D6/678.3
D387,949 S *	12/1997	Bentson .....	99/426

**FOREIGN PATENT DOCUMENTS**

**OTHER PUBLICATIONS**

RTT Large Rib Rack, posted date unknown [online], [retrieved Apr. 30, 2024]. Retrieved from internet, <https://www.amazon.com/dp/B09CYQNC6F/>.\*

(Continued)

*Primary Examiner* — Vy N Koenig  
*Assistant Examiner* — Yen Le Southwood  
(74) *Attorney, Agent, or Firm* — Crowell & Moring LLP

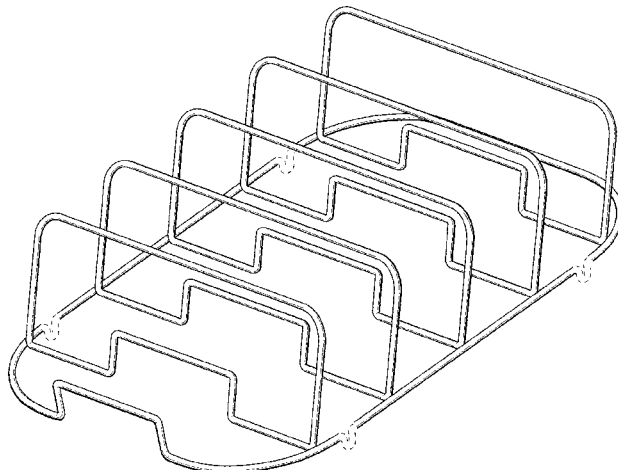
(57) **CLAIM**

The ornamental design for a cooking rack as shown and described.

**DESCRIPTION**

FIG. 1 is a perspective view of a cooking rack showing the new design;  
 FIG. 2 is a left side thereof;  
 FIG. 3 is a right side thereof;  
 FIG. 4 is a front view thereof;  
 FIG. 5 is a rear view thereof;  
 FIG. 6 is a top view thereof; and,  
 FIG. 7 is a bottom view thereof.  
 The broken lines depict portions of the cooking rack that form no part of the claimed design.

**1 Claim, 5 Drawing Sheets**



(56)

**References Cited**

U.S. PATENT DOCUMENTS

D866,243 S \* 11/2019 Cloutier ..... D7/354  
D984,856 S \* 5/2023 Mummert ..... D7/704  
2009/0260526 A1 \* 10/2009 Anderson ..... A47J 37/0786  
99/444  
2011/0185915 A1 \* 8/2011 Eades ..... A47J 27/21058  
99/331  
2015/0164276 A1 \* 6/2015 Crow ..... A47J 37/0688  
99/444  
2018/0110365 A1 \* 4/2018 Witberg ..... A47J 43/18

OTHER PUBLICATIONS

Generic Stainless Steel Grill Bracket Rib Rack, posted Feb. 2, 2024 [online], [retrieved Apr. 30, 2024]. Retrieved from internet, <https://www.amazon.com/Stainless-Bracket-Nonstick-Grilling-Accessories/dp/B0CTTXRBFB> (Year: 2024).\*

BBQ Plus Rib Rack, posted date unknown [online], [retrieved Apr. 30, 2024]. Retrieved from internet, <https://www.amazon.com/BBQ-PLUS-Stainless-XSKRACKXL-Woodfire-Accessories/dp/B0CQ249KFJ/>.\*

\* cited by examiner

FIG. 1

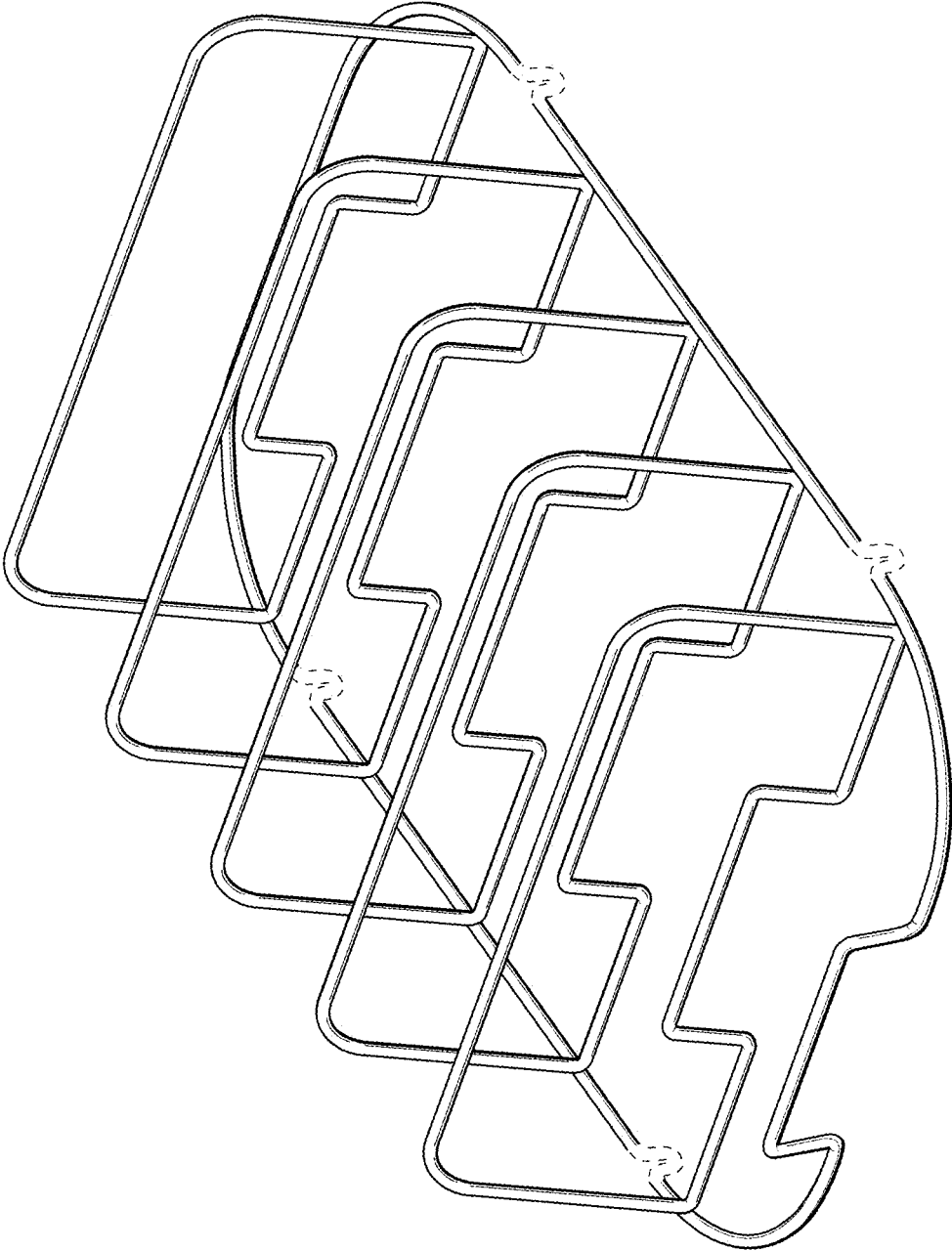


FIG. 2

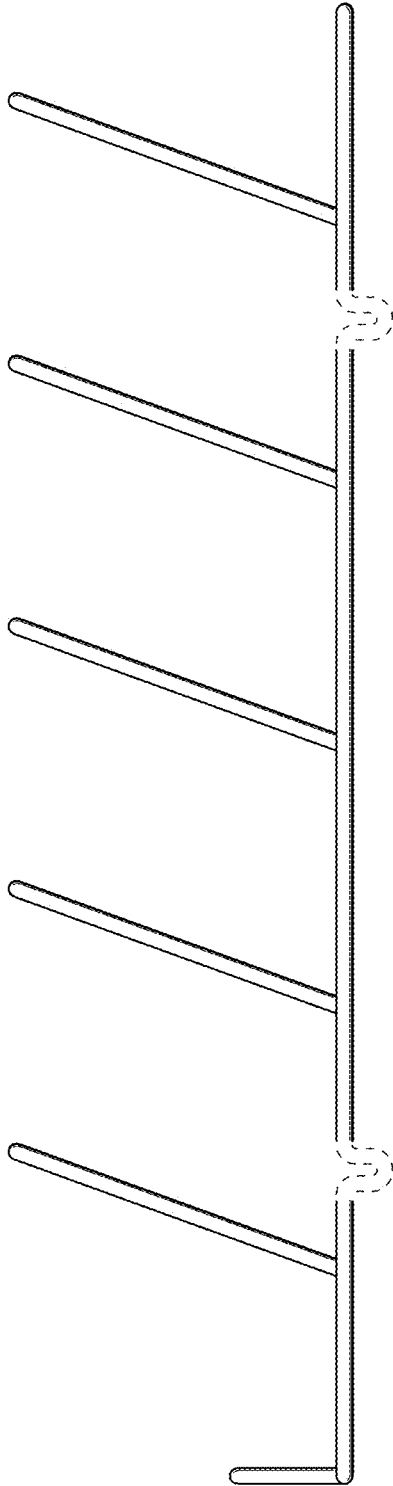


FIG. 3

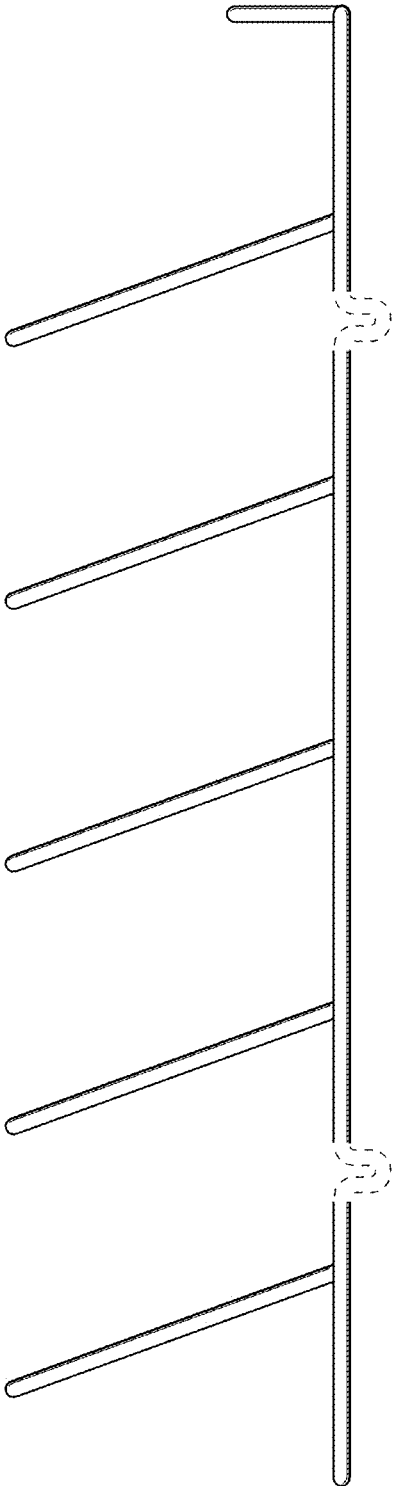


FIG. 4

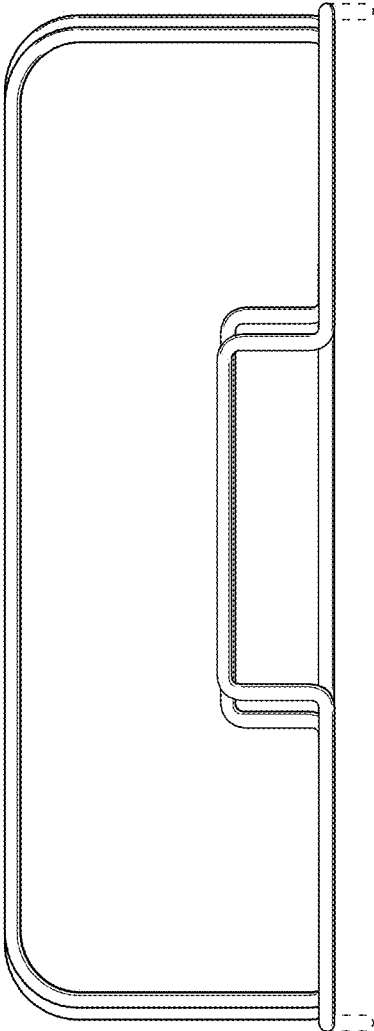


FIG. 5

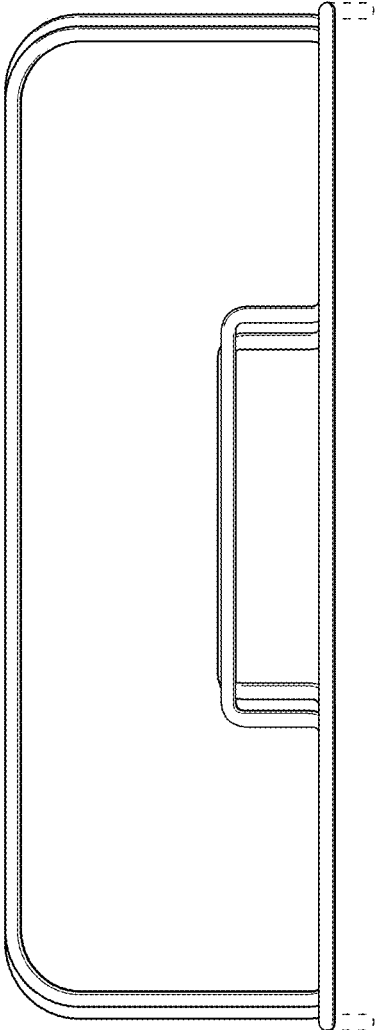


FIG. 6

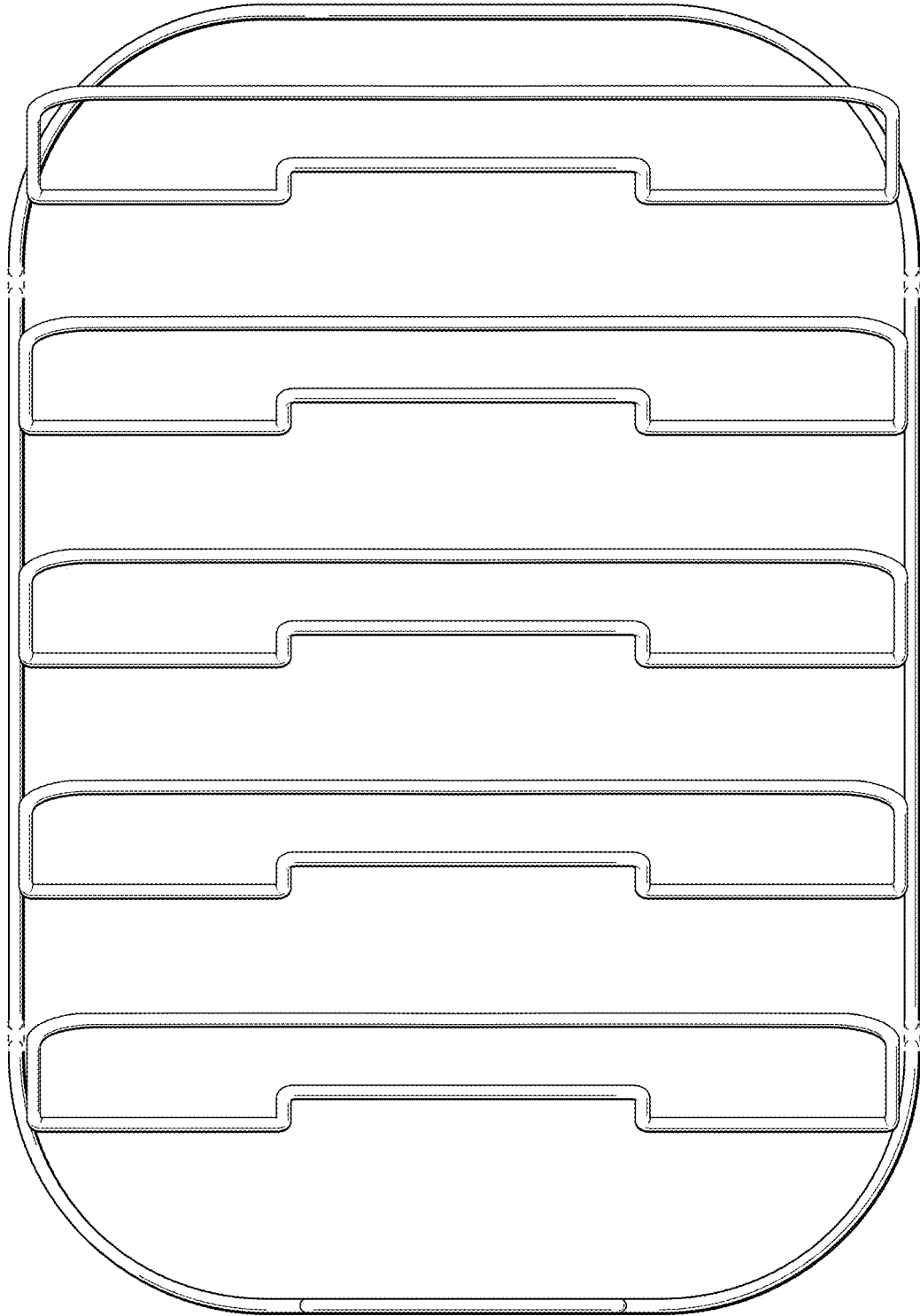


FIG. 7

