



US00D640809S

(12) **United States Design Patent**  
**Weiser**

(10) **Patent No.:** **US D640,809 S**

(45) **Date of Patent:** **\*\* Jun. 28, 2011**

(54) **BASEBALL NIGHT LIGHT ULTRASONIC PEST REPELLER**

D607,675 S \* 1/2010 Lochen ..... D6/515  
D630,689 S \* 1/2011 Tsutsui ..... D21/713  
2009/0213582 A1 \* 8/2009 Thomas ..... 362/183

(75) Inventor: **Margaret Weiser**, Chatsworth, CA (US)

**OTHER PUBLICATIONS**

(73) Assignee: **Exhart Environmental Systems, Inc.**,  
Chatsworth, CA (US)

Betty's Christmas House, Jan. 24, 2009, <http://replay.waybackmachine.org/20090124233854/http://bettyschristmashouse.com/holiday/sports.htm>, viewed on Apr. 18, 2011.\*

(\*\*) Term: **14 Years**

\* cited by examiner

(21) Appl. No.: **29/376,634**

*Primary Examiner* — Angela Lee

(22) Filed: **Oct. 8, 2010**

(74) *Attorney, Agent, or Firm* — Cisló & Thomas, LLP

(51) **LOC (9) Cl.** ..... **26-05**

(57) **CLAIM**

(52) **U.S. Cl.** ..... **D26/26; D22/120**

The ornamental design for a baseball night light ultrasonic pest repeller, as shown and described.

(58) **Field of Classification Search** ..... D26/26,  
D26/24, 37, 38, 57, 73, 94, 98, 101; D10/110,  
D10/114; D22/120, 122, 123; D21/315,  
D21/318, 650, 712, 713, 780, 788; D11/119,  
D11/137, 139, 144, 162; 362/640, 641, 642,  
362/643, 644, 652, 653, 657, 658, 659, 563,  
362/567, 122, 124, 183, 805, 806

**DESCRIPTION**

See application file for complete search history.

FIG. 1 is a perspective view of the baseball night light ultrasonic pest repeller.

FIG. 2 is a front view of the baseball night light ultrasonic pest repeller.

FIG. 3 is a rear view of the baseball night light ultrasonic pest repeller.

FIG. 4 is a right side view of the baseball night light ultrasonic pest repeller.

FIG. 5 is a left side view of the baseball night light ultrasonic pest repeller.

FIG. 6 is a top view of the baseball night light ultrasonic pest repeller; and,

FIG. 7 is a bottom view of the baseball night light ultrasonic pest repeller.

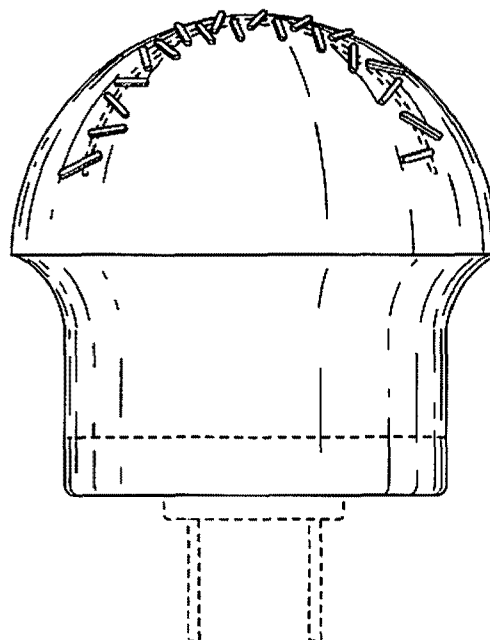
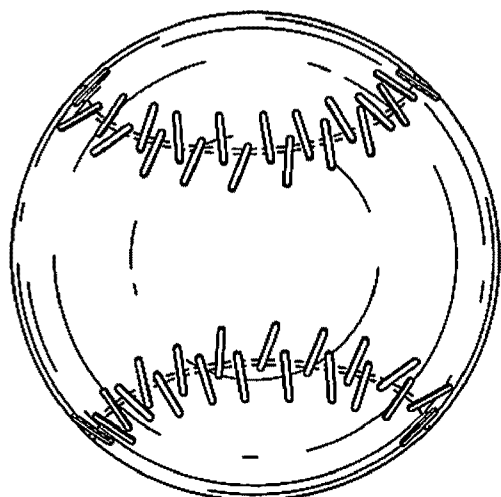
The portions of the night light shown in broken lines form no part of the claimed design.

(56) **References Cited**

**U.S. PATENT DOCUMENTS**

5,080,359	A	*	1/1992	Thill	.....	473/570
D368,975	S	*	4/1996	Schwartz	.....	D26/94
D387,465	S	*	12/1997	Copland et al.	.....	D26/94
D423,698	S	*	4/2000	Yuen	.....	D26/26
D458,395	S	*	6/2002	Piepgas et al.	.....	D26/26
D459,504	S	*	6/2002	Chen	.....	D26/26
D497,681	S	*	10/2004	Donnelly et al.	.....	D26/26
D523,569	S	*	6/2006	Funck et al.	.....	D26/26
D575,433	S	*	8/2008	Nunes	.....	D26/73
D575,436	S	*	8/2008	Nunes	.....	D26/73

**1 Claim, 2 Drawing Sheets**



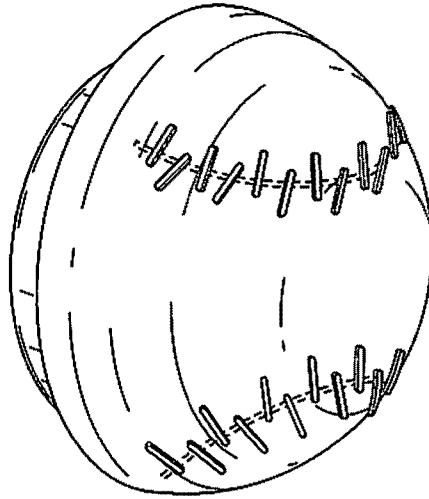


Fig. 1

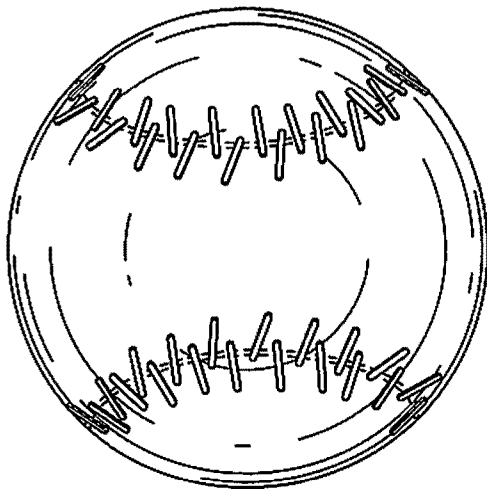


Fig. 2

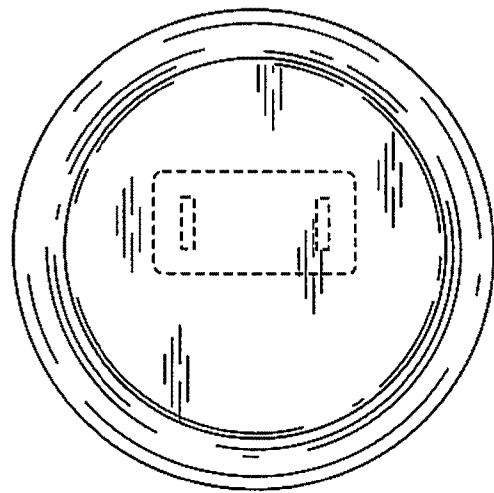


Fig. 3

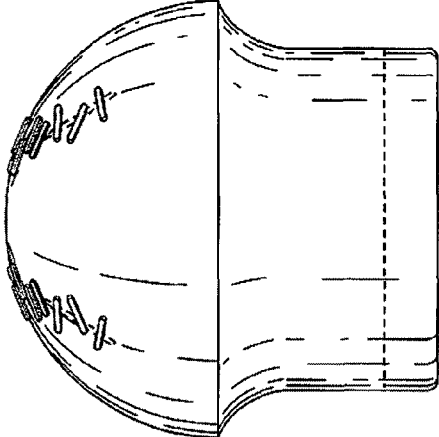


Fig. 4

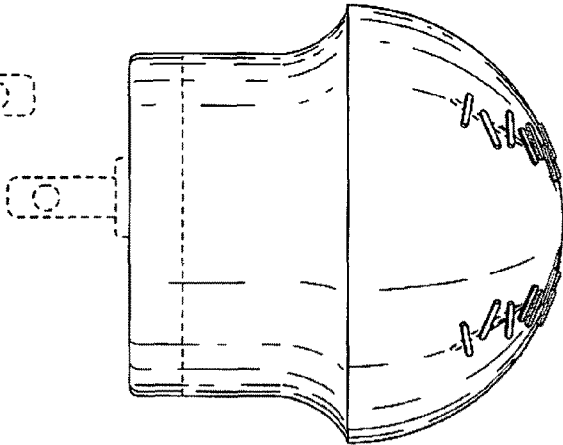


Fig. 5

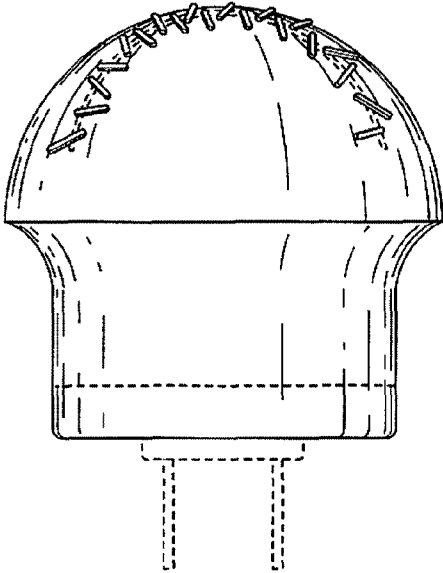


Fig. 6

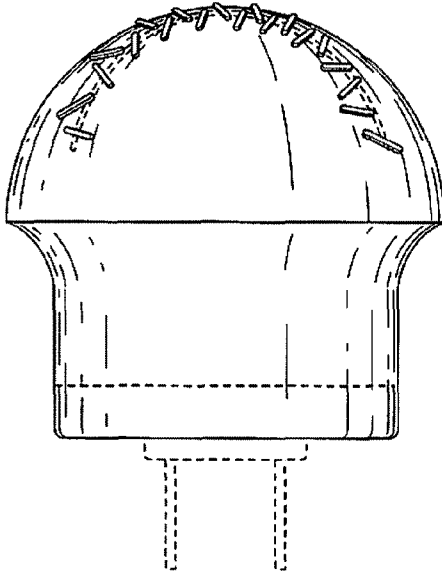


Fig. 7