



US00D409488S

United States Patent [19]

[11] Patent Number: **Des. 409,488**

Mohary et al.

[45] Date of Patent: **** May 11, 1999**

[54] **ANGLED CAP**

D. 271,284	11/1983	Bainton	D9/449 X
D. 272,323	1/1984	Bainton	D9/449 X
D. 328,864	8/1992	Grunzweig	D9/447

[75] Inventors: **Stephen J. Mohary**, Pennington, N.J.;
Craig M. Saunders, Rocky River;
Jesse P. Carlson, Cleveland, both of
Ohio; **Milton R. Dallas, Jr.**, East Troy,
Wis.

Primary Examiner—James Gandy
Assistant Examiner—Cathron B. Matta
Attorney, Agent, or Firm—Michele G. Mangini

[73] Assignee: **Johnson & Johnson Consumer
Companies, Inc.**, Skillman, N.J.

[57] CLAIM

[**] Term: **14 Years**

The ornamental design for an angled cap, as shown and described.

[21] Appl. No.: **29/081,602**

DESCRIPTION

[22] Filed: **Jan. 6, 1998**

Related U.S. Application Data

[63] Continuation-in-part of application No. 29/076,362, Sep. 9, 1997.

[51] **LOC (6) Cl.** **09-07**

[52] **U.S. Cl.** **D9/449**

[58] **Field of Search** D9/300, 435, 447,
D9/448, 449, 454, 515; D7/300, 590, 629;
215/235, 236, 237; 220/334-339; 222/544,
556, 557, 562, 566, 567

FIG. 1 is a perspective view of the cap of our new design;
FIG. 2 is a left side elevational view thereof;
FIG. 3 is a right side elevational view thereof;
FIG. 4 is a top plan view thereof;
FIG. 5 is a front elevational view thereof; the rear elevation
being a mirror image;
FIG. 6 is a perspective view of the cap of our new design
shown in an alternate position;
FIG. 7 is a top plan view of FIG. 6;
FIG. 8 is a perspective view of the cap of our new design
shown in an alternate position; and,
FIG. 9 is a top plan view of FIG. 8.

[56] References Cited

The bottom and interior of the closure form no part of the claimed design.

U.S. PATENT DOCUMENTS

D. 195,787 7/1963 Thompson D9/515

1 Claim, 4 Drawing Sheets

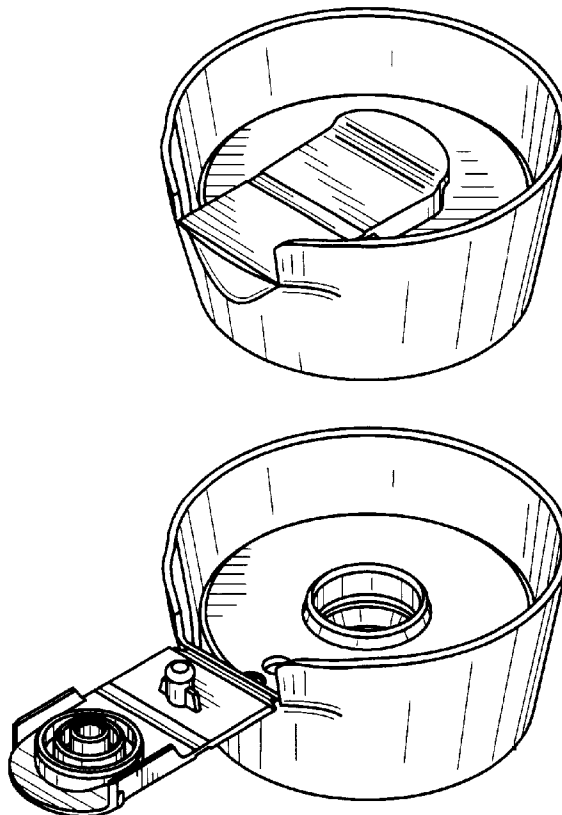


FIG. 1

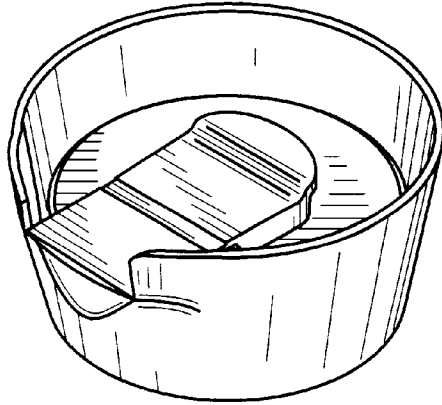


FIG. 2

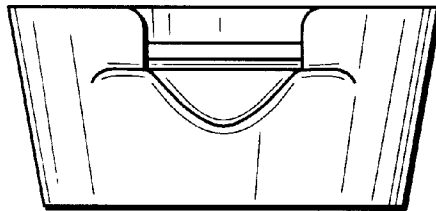


FIG. 3

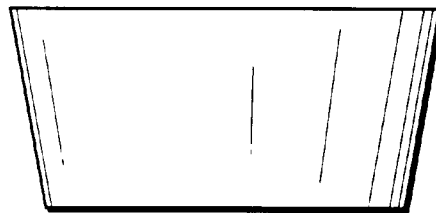


FIG. 4

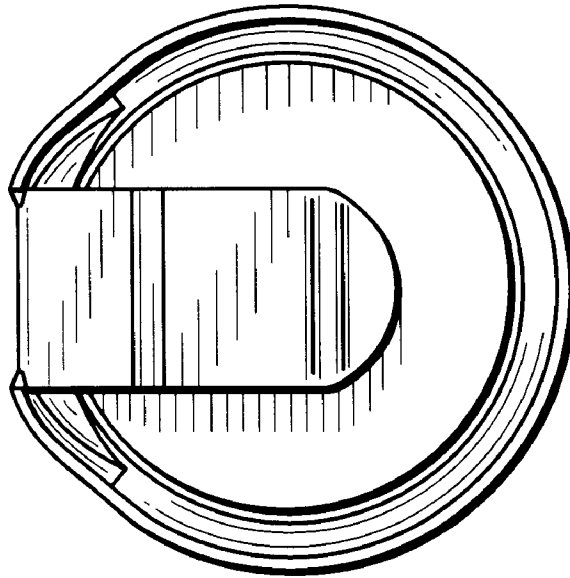


FIG. 5

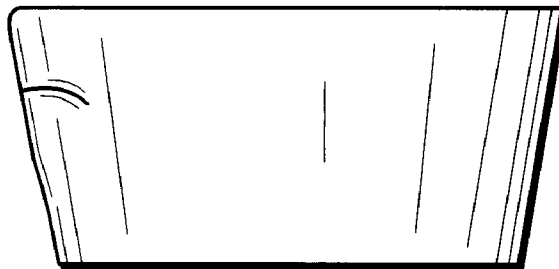


FIG. 6

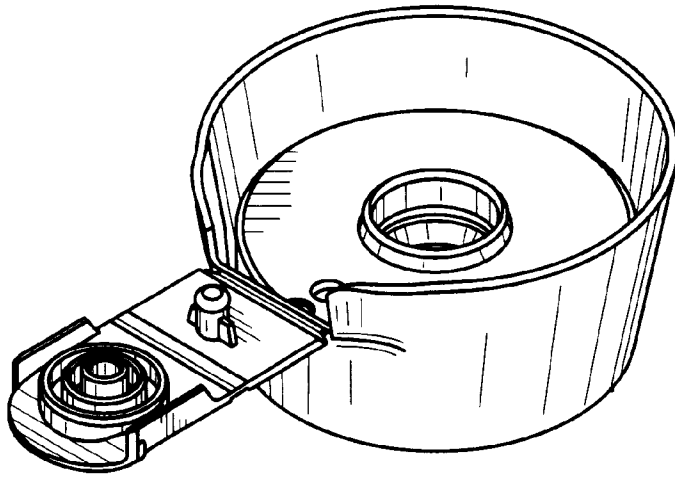


FIG. 7

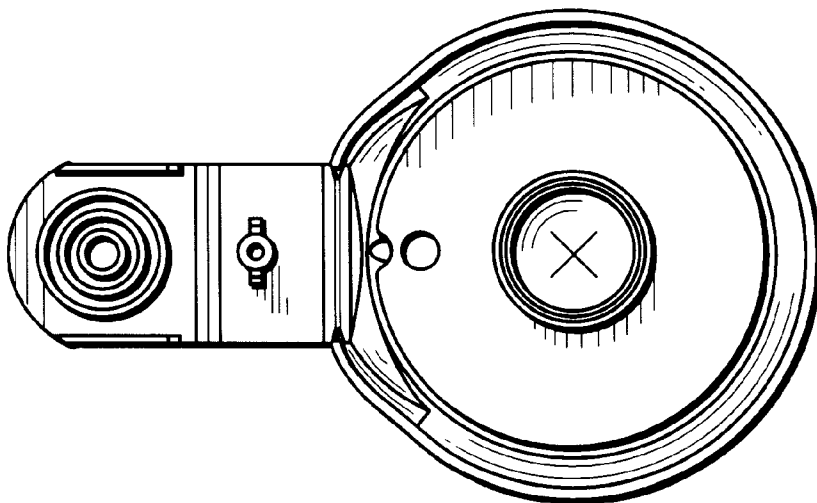


FIG. 8

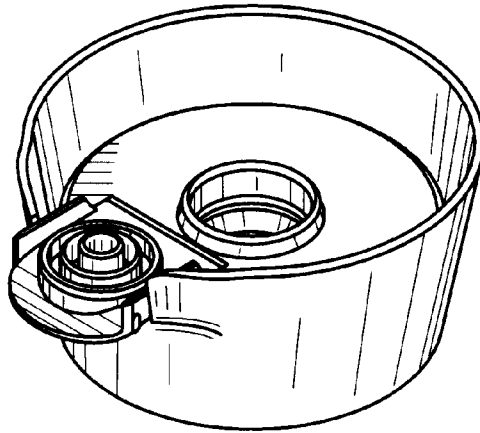


FIG. 9

