



- (51) **International Patent Classification:**
A45D 34/04 (2006.01) *A45D 40/26* (2006.01)
- (21) **International Application Number:**
PCT/AU2018/050818
- (22) **International Filing Date:**
06 August 2018 (06.08.2018)
- (25) **Filing Language:** English
- (26) **Publication Language:** English
- (30) **Priority Data:**
62/541,726 06 August 2017 (06.08.2017) US
2017905081 20 December 2017 (20.12.2017) AU
- (71) **Applicant:** THE QUICK FLICK PTY LTD [AU/AU];
10/3 Hampton Court, Joondalup, Western Australia 6027 (AU).
- (72) **Inventor:** SMIT, Iris; 10/3 Hampton Court, Joondalup,
Western Australia 6027 (AU).
- (74) **Agent:** FB RICE PTY LTD; Level 29, 77 St Georges Tce,
Perth, Western Australia 6000 (AU).
- (81) **Designated States** (*unless otherwise indicated, for every kind of national protection available*): AE, AG, AL, AM, AO, AT, AU, AZ, BA, BB, BG, BH, BN, BR, BW, BY, BZ, CA, CH, CL, CN, CO, CR, CU, CZ, DE, DJ, DK, DM, DO, DZ, EC, EE, EG, ES, FI, GB, GD, GE, GH, GM, GT, HN, HR, HU, ID, IL, IN, IR, IS, JO, JP, KE, KG, KH, KN, KP, KR, KW, KZ, LA, LC, LK, LR, LS, LU, LY, MA, MD, ME, MG, MK, MN, MW, MX, MY, MZ, NA, NG, NI, NO, NZ, OM, PA, PE, PG, PH, PL, PT, QA, RO, RS, RU, RW, SA, SC, SD, SE, SG, SK, SL, SM, ST, SV, SY, TH, TJ, TM, TN, TR, TT, TZ, UA, UG, US, UZ, VC, VN, ZA, ZM, ZW.
- (84) **Designated States** (*unless otherwise indicated, for every kind of regional protection available*): ARIPO (BW, GH, GM, KE, LR, LS, MW, MZ, NA, RW, SD, SL, ST, SZ, TZ, UG, ZM, ZW), Eurasian (AM, AZ, BY, KG, KZ, RU, TJ, TM), European (AL, AT, BE, BG, CH, CY, CZ, DE, DK, EE, ES, FI, FR, GB, GR, HR, HU, IE, IS, IT, LT, LU, LV, MC, MK, MT, NL, NO, PL, PT, RO, RS, SE, SI, SK, SM,

(54) **Title:** COSMETIC APPLICATOR

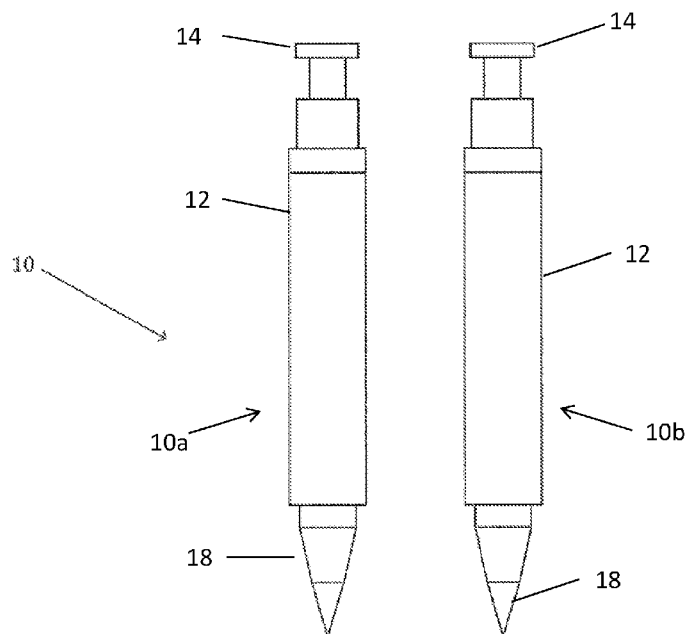


Figure 3

(57) **Abstract:** A cosmetic applicator is provided, which has particular suitability for use in applying eye make-up such as eyeliner. The cosmetic applicator generally comprises a body with an ink reservoir located inside. The ink reservoir is in fluid communication with at least one stamp means. A surface of the stamp is contacted or pressed against skin of the user and cosmetic ink is printed on the skin surface in the shape of the surface. The stamp means can be provided in a shape suitable for creating a cat-eye or winged eyeliner effect. A method of using the cosmetic applicator and method of applying a cosmetic is also described.



TR), OAPI (BF, BJ, CF, CG, CI, CM, GA, GN, GQ, GW,
KM, ML, MR, NE, SN, TD, TG).

Published:

— *with international search report (Art. 21(3))*

"Cosmetic Applicator"

Cross-Reference to Related Applications

[0001] The present application claims priority from Australian Provisional Patent Application No 2017905081 filed on 20 December 2017 and United States of America Provisional Patent Application No 62/541,726 filed on 6 August 2017, the content of which is incorporated herein by reference.

Technical Field

[0002] The present disclosure relates generally to a cosmetic applicator. In particular, embodiments relate to a cosmetic applicator suitable for use in applying eye make-up such as eyeliner. The cosmetic applicator may be suitable for achieving a cat eye or winged eyeliner effect.

Background

[0003] Winged eyeliner, also referred to as a 'cat eye', is a classic and popular beauty trend. A traditional method of application typically involves applying a thin line of eyeliner from an inner corner of the eye, extending and increasing the thickness of the line towards an outside corner of the eye. From the outside corner of the eye, the line is continued in an upwards flick to create the winged effect.

[0004] Despite the popularity of winged eyeliner, it is generally acknowledged that it is difficult to consistently achieve a clean and uniform application of eyeliner cosmetic in the desired shape. This difficulty is experienced regardless of the type of liner cosmetic used, whether it be pencil, liquid or gel form. Some who desire to achieve the winged eyeliner effect may never achieve the level of skill and expertise required to satisfactorily create the look using traditional methods of application, despite having a steady hand and/or patience to practice. If a person does not have sufficient skill to achieve the winged eyeliner effect, attempts at creating the effect can be less than optimal. For example, if the flick at the outer end of the eye is too short, it can make the eye look smaller and if the wing isn't sufficiently sharp in shape, the effect can simply look messy.

[0005] Various efforts have been made to simplify the process of creating the winged eyeliner effect and assist in creating a sharp and well-defined wing shape. Some methods of application teach the use of a mini-strip of tape, applied at the outer corner of the eye and angled towards the brows. Eyeliner can then be applied using the edge of the tape for guidance, with the tape preventing application of eyeliner on areas of skin under the tape.

[0006] It is also known to provide a stamp configured in the shape of the desired wing or flick. The stamp can be dipped in or otherwise coated with a cosmetic ink and then pressed against skin at the desired location to make an imprint of the stamp and thereby create the winged effect. However, such stamp devices can often result in uneven, imprecise or inadequate application of the cosmetic ink. The user of the stamp must then manually fill in areas that have not been adequately inked and/or manually draw in clearer lines in order to achieve the desired winged effect. This re-introduces the skill requirement for application that many cannot achieve or can only achieve after a significant amount of practice.

[0007] Some manual stamps also require a user to attempt to create the winged effect using a single stamp shape that must be utilised on both eyes. Again, the user must rely on their own artistic skill and ability to adapt the stamp to both eyes.

[0008] The present disclosure seeks to resolve or at least ameliorate the aforementioned difficulties.

[0009] Any discussion of documents, acts, materials, devices, articles or the like which has been included in the present specification is not to be taken as an admission that any or all of these matters form part of the prior art base or were common general knowledge in the field relevant to the present disclosure as it existed before the priority date of each of the appended claims.

[0010] Throughout this specification the word "comprise", or variations such as "comprises" or "comprising", will be understood to imply the inclusion of a stated element, integer or step, or group of elements, integers or steps, but not the exclusion of any other element, integer or step, or group of elements, integers or steps.

Summary

[0011] Some embodiments relate to a cosmetic applicator comprising a body containing an ink reservoir arranged to hold a quantity of a cosmetic ink, the ink reservoir in fluid communication with a stamp means, the stamp means having a shape, whereby upon contacting or pressing a surface of the stamp means onto a skin surface, the stamp means prints cosmetic ink in the shape onto the skin surface.

[0012] The shape of the surface of the stamp means may be varied in configuration and/or size to create a desired imprint upon the skin.

[0013] The surface of the stamp means is preferably provided in a shape suitable for creating a winged eyeliner or cat-eye effect on the skin surface. The surface of the stamp means may thus be provided in a winged shape, having a shape approximating an asymmetrical arrowhead or delta with a substantially concave base.

[0014] In one embodiment, the cosmetic applicator has a stamp means at one end of the body and a pen tip at an opposing end of the body. Both stamp means and pen tip may be in fluid communication with the ink reservoir. A pair of cosmetic applicators may be provided. A first cosmetic applicator may have a stamp means adapted for application on one eye of a user. A second cosmetic applicator may have a stamp means shaped as a mirror image of the stamp means of the first cosmetic applicator.

[0015] In another embodiment, the cosmetic applicator has a stamp means at both ends of the body. The stamp means at respective ends may be substantially mirror images of each other.

[0016] The described cosmetic applicator advantageously enables reproducible and precise application of a desired shape onto the surface of the users skin. The described cosmetic applicator provides means by which a user may create a winged or cat-eye eyeliner shape that is substantially identical for each eye. The described applicator enables such application without requiring the user to have significant artistic ability or necessitating considerable amounts of application practice.

[0017] Some embodiments relate to a method of applying a cosmetic, the method comprising locating a stamp means of a cosmetic applicator adjacent to a surface of skin, the cosmetic applicator comprising a body having an ink reservoir arranged to hold a quantity of cosmetic ink, the ink reservoir in fluid communication with the stamp means, and contacting a surface of the stamp means onto the skin surface, thereby imprinting cosmetic ink in the shape on the skin surface.

[0018] The stamp means may be located adjacent to an outside corner of the users eye. The stamp means may be positioned at about a 45 degree angle to the outside corner of the eye prior to contacting the surface of the stamp means with the skin.

[0019] Imprinting the cosmetic ink on the skin surface in the shape may at least partially create a winged eyeliner or cat-eye effect. A user may modify, adapt or complete the effect by using a pen tip in fluid communication with cosmetic ink as required.

[0020] Some embodiments relate to a method of using the described cosmetic applicator, including using the cosmetic applicator to create a winged eyeliner or cat-eye effect.

Brief Description of Drawings

[0021] Embodiments are described in further detail below, by way of example, with reference to the accompanying drawings, in which:

[0022] Figure 1 is a front view of a pair of cosmetic applicators in accordance with one embodiment;

[0023] Figure 2 is a top view of the pair of cosmetic applicators of Figure 1 with a lid at an end thereof;

[0024] Figure 3 is a front view of the pair of cosmetic applicators of Figure 1 with lids at each end removed;

[0025] Figure 4 is a top view of stamp means in a winged configuration of the pair of cosmetic applicators of Figures 1 to 3;

[0026] Figure 5 5 is a front view of a second embodiment of the cosmetic applicator, with lids on and removed;

[0027] Figure 6 is an exploded view of the cosmetic applicator of Figures 5a and 5b;

[0028] Figure 7 is a top view of each end of the cosmetic applicator of Figures 5a and 5b, showing winged stamps suitable for left and right eye; and

[0029] Figure 8 is a side view of the winged stamps of Figure 7.

Description of Embodiments

[0030] Referring initially to Figures 1 to 4, there is shown a cosmetic applicator 10 which can be used to apply a cosmetic such as eyeliner. The cosmetic applicator 10 will be described primarily in the context of creating a winged eyeliner or cat-eye effect. However, it should be understood that the cosmetic applicator 10 may have applicability in creating other cosmetic effects.

[0031] The cosmetic applicator 10 generally comprises a body 12 with a stamp means 14 at a first end 16 and a pen tip 18 extending from a second end 20. The body 12 generally comprises an elongate hollow body, such as a cylinder. The cylinder may have a diameter of a size which enables a user to comfortably grip the cosmetic applicator 10 in one hand. The body 12 may be provided in other configurations as required.

[0032] Each of the stamp means 14 and pen tip 18 are in fluid communication with an ink reservoir 22, located inside the body 12. The ink reservoir 22 may extend substantially the length of the body 12 between first end 16 and second end 20. In one embodiment, the ink reservoir 22 comprises a body of packed or compressed fibre, such as a compressed cotton, felt or other similar material. This material may be soaked in to hold a quantity of cosmetic ink. The cosmetic ink can be any ink suitable for application to skin of the user, such as liquid or gel eyeliner fluid. The stamp means 14 and/or pen tip 18 may be comprised of the same material as the ink reservoir 22. The ink may wick or otherwise flow from the ink reservoir 22 to the stamp means 14 and pen tip 18 and be uniformly distributed therethrough. Alternatively, the ink reservoir 22 may comprise a chamber that may be filled with a quantity of cosmetic ink.

[0033] The stamp means 14 may have a surface 13 provided in a shape suitable to create a 'flick' component of the winged eyeliner effect when the surface 13 of the stamp means 14 is applied to and contacted with or pressed onto skin of the user adjacent each eye, as will be described further below. In the embodiment shown in the Figures, the stamp means 14 has a winged configuration, with the surface 13 having a shape approximating an asymmetrical arrowhead or delta with a concave base 24. An outline of the surface 13 of the stamp means 14 may have a substantially convex side 26 and a substantially concave side 28. The convex side 26 and concave side 28 may extend from the concave base 24, tapering inwardly and converging at a tip 30.

[0034] The dimensions and relative angles of the sides 26, 28 and concave base 24 of the surface 13 of the stamp means 14 can be varied as required to produce a particular desired winged effect. For example, if a user requires a minimal winged effect, they may use a cosmetic applicator 10 with a stamp means 14 in which the length of the convex and concave sides 26, 28 from concave base 24 to tip 30, are for example, about 8mm or less. If a user requires a more dramatic winged effect, they may use a cosmetic applicator 10 with a stamp means in which the length of the convex and concave sides are relatively larger, for example, 12mm or greater. Width of the concave base 24 may also be varied, for example made wider, if a thicker or more dramatic winged effect is desired. If a more subtle winged effect is desired, the width of the concave base 24 may be decreased. Similarly, the overall configuration or shape of the stamp means 14 can be varied as required to achieve multiple make up looks.

[0035] The stamp means 14 may be detachable, allowing for a user to remove one version or configuration of the stamp means 14 and replace it with another to achieve a particular effect as required.

[0036] In the embodiment shown in Figures 1 to 4, a pair of cosmetic applicators 10 is shown. The first of the cosmetic applicators 10a has a stamp means 14 suitable for application on a left eye of the user. A second of the cosmetic applicators 10b of the pair has a stamp means 14 which is a mirror image of the stamp means 14 on the first cosmetic applicator 10a. The stamp means 14 on the second cosmetic applicator 10b is suitable for application on a right eye of the user. Each of the first and second cosmetic applicators 10a and 10b are appropriately labelled or marked (not shown) to easily indicate to the user which

stamp means 14 is intended for use on the left or right eye. It is preferred that each of the applicators 10a, 10b are marked or labelled on or adjacent the first end 16.

[0037] The pen tip 18 comprises a tapered or pointed portion of compacted fibre, such as cotton, textile, felt or similar material. The pen tip 18 has a configuration suitable for drawing lines, ideally fine lines, of cosmetic ink or eyeliner. It may be desirable to provide the pen tip 18 with a fine point to enable the user to apply fine lines of the cosmetic ink or eyeliner. The pen tip 18 may be useful to apply a line of eyeliner from an inner corner of the eye towards an outside corner of the eye. The pen tip 18 can be used to complete the winged look following application of the stamp means 14 shape. For example, the user can use the pen tip 18 to fill in or join the line of eyeliner to a winged imprint created by application of the stamp means 14.

[0038] The cosmetic applicator 10 may be provided with a pair of lids 32 at the first and second ends 16, 20. The lids 32 encloses both the stamp means 14 and pen tip 18 to prevent air from drying ink out.

[0039] In use, the user desiring to create the winged eyeliner effect removes the lid 32 from over the stamp means 14. The stamp means 14 corresponding to the left eye may be placed at or adjacent to the outside corner of the users eye, such that the concave base 24 of the stamp means 14 at least partially surrounds the outside corner of the eye. The stamp means 14 may be positioned at about a 45 degree angle to the outside corner of the eye and to an outer end of the ash line. This angle may be varied as required by the user in order to achieve their desired cosmetic effect. Once appropriately positioned, the user may contact or press the stamp means 14 onto the skin, thereby imprinting cosmetic ink in the shape of the stamp means 14, corresponding to the surface 13. Following application of the stamp means 14, the user can complete their desired winged look by lining the lash line of the eye to join the imprint of the stamp means 14. The process is repeated on the right eye using the stamp means 14 configured for the right eye. The pen tip 18 can be used to finish off, modify or enhance the winged effect created by the stamp means 14 as required by the user.

[0040] Advantageously, the cosmetic applicator 10 enables a person desiring a winged eyeliner effect to reproducibly achieve an accurate and precise winged shape with a uniform amount of cosmetic ink. As the stamp means 14 has uniform distribution of cosmetic ink

throughout and particularly substantially across the entire surface 13, the shape is printed on the skin of the user evenly. Use of the cosmetic applicator 10 thus enables the user to reproducibly create a sharp and even winged shape that is substantially identical for each eye.

[0041] Referring now to Figures 5 to 8, there is shown a further embodiment of the cosmetic applicator 10. In this embodiment, the cosmetic applicator 10 has a first stamp means 14a located at the first end 16 of the body 12, and a second stamp means 14b located at the second end 20. Each of the first and second stamp means 14a, 14b have a shape generally the same as described above in relation to the first embodiment. The first stamp means 14a has a configuration adapted for applying a winged shape imprint to the left eye of the user and the second stamp means 14b has a configuration adapted for the right eye. Appropriate labelling located at or adjacent the first end 16 and second end 20 of the body 12 can indicate to the user which stamp means 14 is intended for which eye.

[0042] Each of the stamp means 14 is again in fluid communication with an ink reservoir 22, located inside the body 12 of the cosmetic applicator 10. As is shown in Figure 6, though also applicable to the first described embodiment, a wick 34 extends from each stamp means 14. The wick 34, which may be comprised of the same or similar material as the stamp means 14 and/or the ink reservoir 22, extends into the body 12 and connects with the ink reservoir 22 to provide fluid communication of ink between the ink reservoir 22 and stamp means 14, or in the case of the first embodiment, the stamp means 14 and pen tip 18. The wick 34 may be solid or may comprise a hollow conduit having an inner diameter of a size sufficient to enable capillary flow of ink from the ink reservoir 22 to the stamp means 14.

[0043] In use, the user desiring to create the winged eyeliner effect applies the first and second stamp means 14a, 14b to the left and right eyes respectively, substantially as described above. The user can complete the desired winged look by lining the lash line, finishing off, modifying or enhancing the winged effect created by the stamp means 14 using a separate eyeliner pen (not shown) that dispenses the same or similar cosmetic ink as the cosmetic applicator 10.

[0044] It will be appreciated by persons skilled in the art that numerous variations and/or modifications may be made to the above-described embodiments, without departing from the

broad general scope of the present disclosure. The present embodiments are, therefore, to be considered in all respects as illustrative and not restrictive.

CLAIMS:

1. A cosmetic applicator comprising a body having an ink reservoir arranged to hold a quantity of a cosmetic ink, the ink reservoir in fluid communication with a stamp means, the stamp means having a shape, whereby upon contacting a surface of the stamp means onto a skin surface, the stamp means imprints cosmetic ink in the shape onto the skin surface.
2. The cosmetic applicator according to claim 1, wherein the shape of the surface of the stamp means is variable in configuration and/or size.
3. The cosmetic applicator according to claim 1 or 2, wherein the stamp means is provided in a shape suitable for creating a winged eyeliner or cat-eye effect.
4. The cosmetic applicator according to claim 3, wherein the stamp means is provided in a shape approximating an asymmetrical arrowhead or delta with a substantially concave base.
5. The cosmetic applicator according to claim 4, wherein an outline of the surface of the stamp means has a substantially convex first side and a substantially concave second side, wherein the convex first side and concave second side each extend from the concave base, tapering inwardly and converging at a tip.
6. The cosmetic applicator according to claim 5, wherein the dimensions and relative angles of one or more of the convex first side, concave second side and/or concave base are varied to produce a desired shape.
7. The cosmetic applicator according to any one of the preceding claims, wherein the stamp means is located at one end of the body and a pen tip is located at an opposite end of the body, the stamp means and pen tip being in fluid communication with the ink reservoir.
8. The cosmetic applicator according to any one of the preceding claims, wherein the stamp means is detachable.

9. The cosmetic applicator according to any one of claims 1 to 6, wherein a first stamp means is located at one end of the body and a second stamp means is located at an opposite end of the body and wherein the shape of the first stamp means is a mirror image of the shape of the second stamp means.
10. The cosmetic applicator according to any one of the preceding claims, wherein the body is a cylinder of a size that enables a user to grip the cosmetic applicator in their hand.
11. The cosmetic applicator according to any one of the preceding claims, wherein the ink reservoir extends substantially the length of the body.
12. The cosmetic applicator according to any one of the preceding claims, wherein the ink reservoir comprises a body of compressed fibre, the body of compressed fibre soaked in a quantity of cosmetic ink.
13. The cosmetic applicator according to any one of claims 1 to 11, wherein the ink reservoir comprises a chamber, the chamber adapted to hold a quantity of cosmetic ink.
14. The cosmetic applicator according to any one of the preceding claims, wherein the cosmetic ink is a liquid or gel eyeliner fluid.
15. The cosmetic applicator of claim 7, wherein the pen tip comprises a tapered portion of compacted fibre.
16. A method of using the cosmetic applicator of any one of the preceding claims, comprising locating the stamp means adjacent to a surface of skin and contacting the surface of the stamp means onto the skin surface, thereby imprinting the cosmetic ink in the shape on the skin surface.
17. The method according to claim 16, wherein the stamp means is located adjacent an outside corner of the users eye.

18. The method according to claim 17, wherein the stamp means is located at about a 45 degree angle to the outside corner of the eye.
19. The method according to claim 16 or 17, wherein the shape is imprinted on the skin surface to create a winged eyeliner or cat-eye effect.
20. A method of applying a cosmetic, the method comprising locating a stamp means of a cosmetic applicator adjacent to a surface of skin, the cosmetic applicator comprising a body having an ink reservoir arranged to hold a quantity of cosmetic ink, the ink reservoir in fluid communication with the stamp means, and contacting a surface of the stamp means onto the skin surface, thereby imprinting cosmetic ink in the shape on the skin surface.
21. The method according to claim 20, wherein the stamp means is located adjacent to an outside corner of a user's eye.
22. The method according to claim 21, wherein the stamp means is located at about a 45 degree angle to the outside corner of the eye.
23. The method according to any one of claims 20 to 22, wherein imprinting the cosmetic ink on the skin surface at least partially creates a winged eyeliner or cat-eye effect.

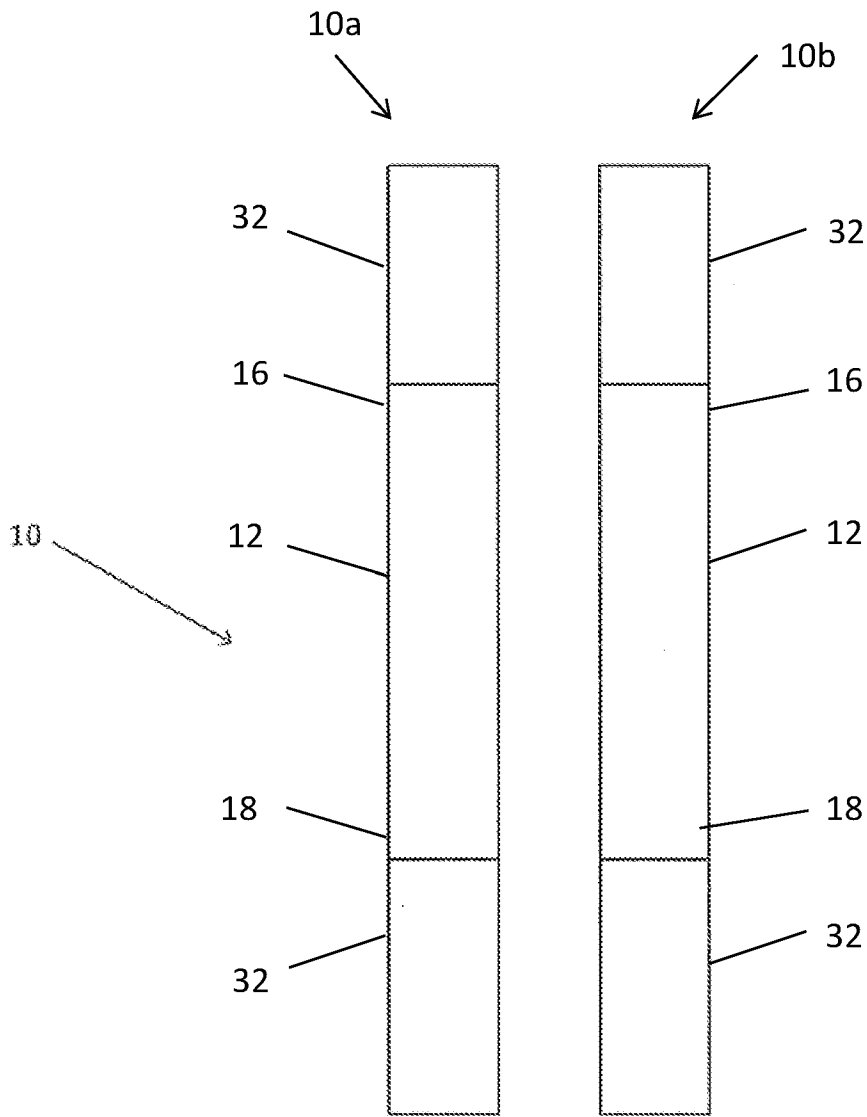


Figure 1

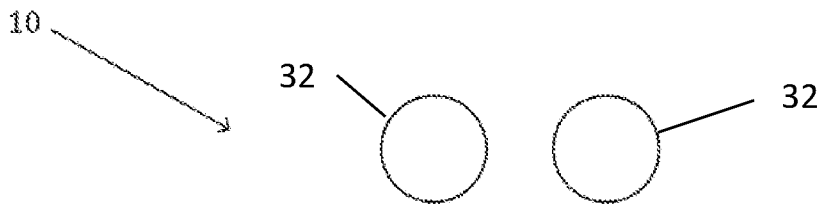


Figure 2

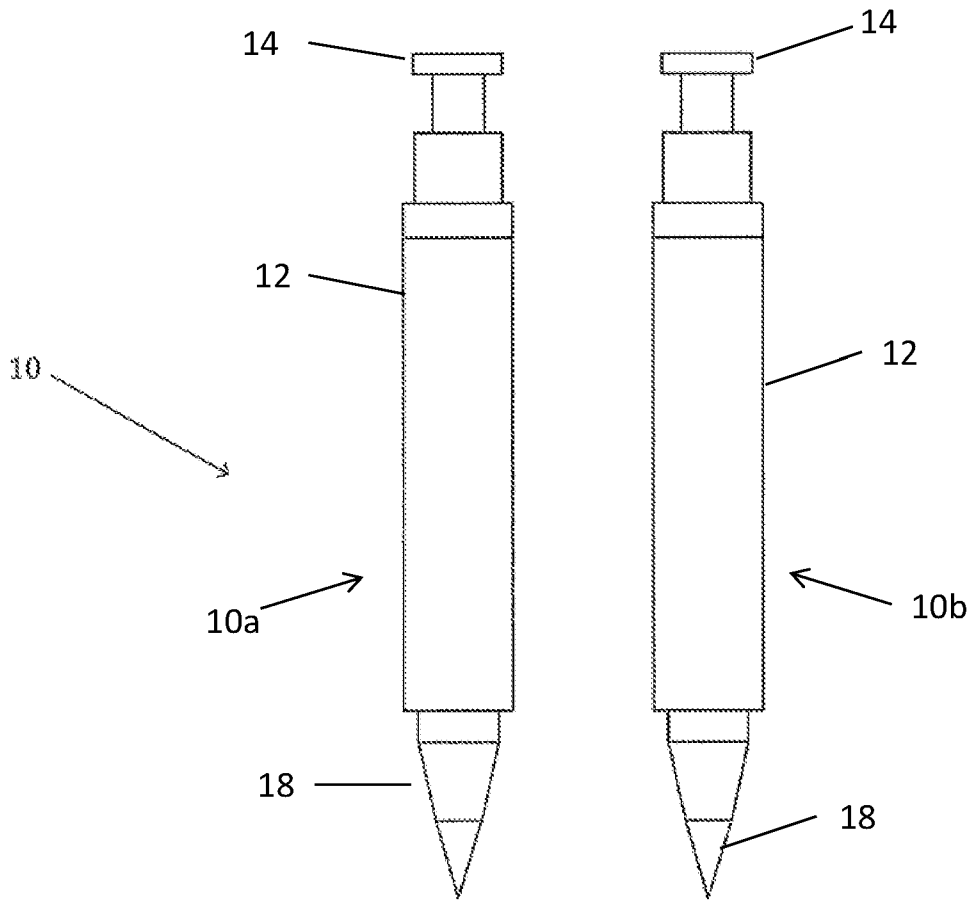


Figure 3

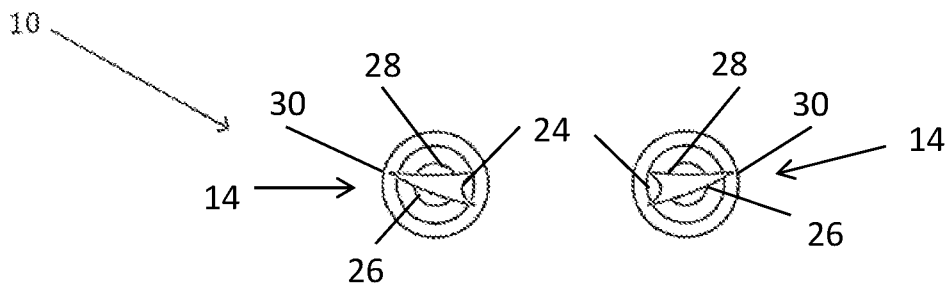


Figure 4

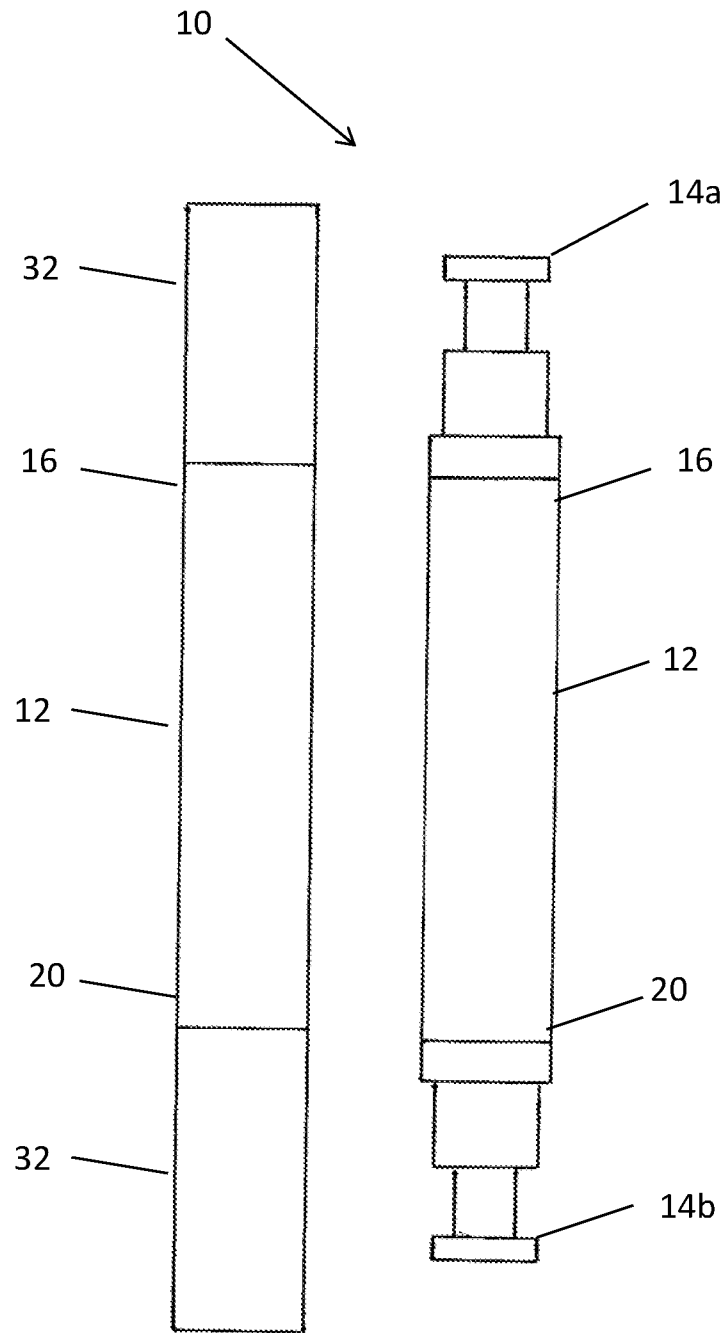


Figure 5

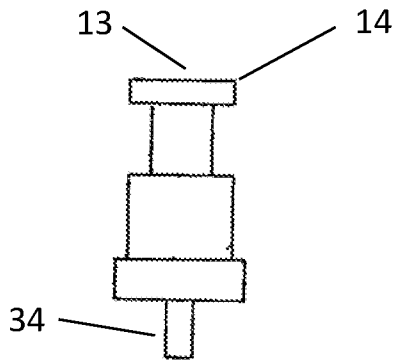


Figure 6

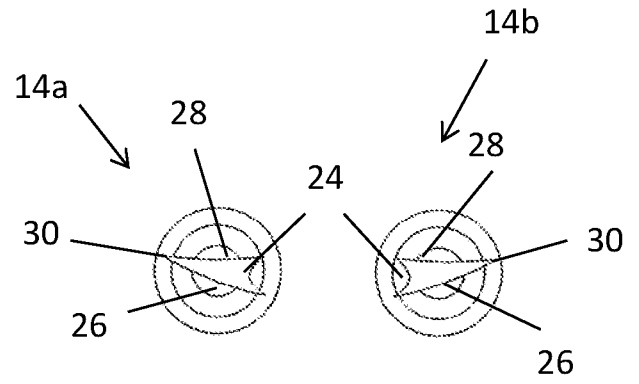
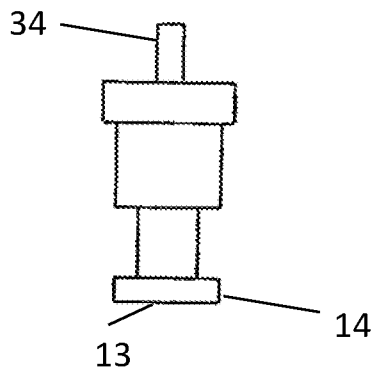
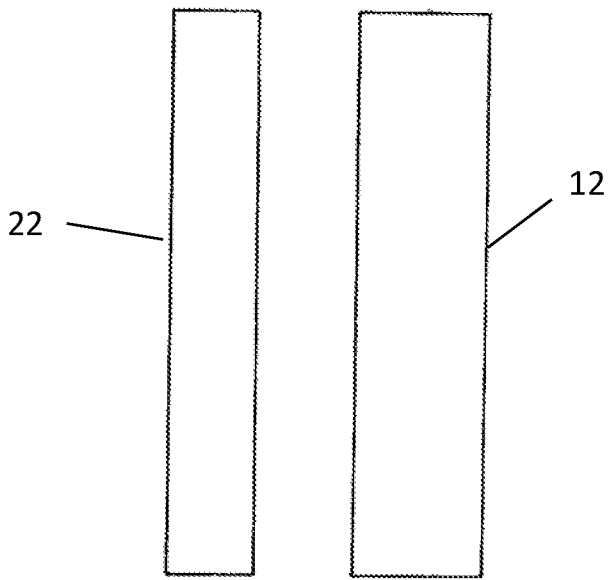


Figure 7

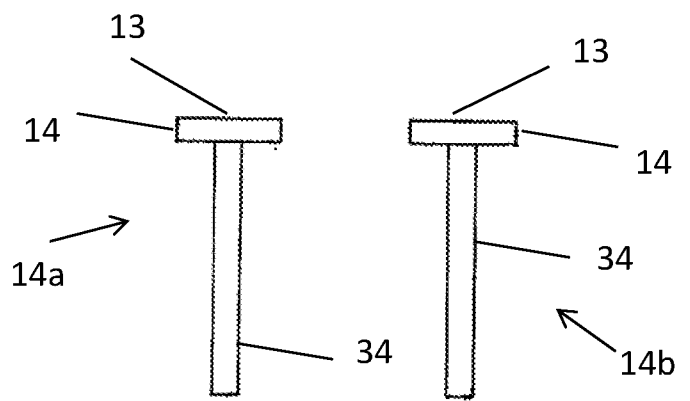


Figure 8

INTERNATIONAL SEARCH REPORT

International application No.

PCT/AU2018/050818

A. CLASSIFICATION OF SUBJECT MATTER

A45D 34/04 (2006.01) A45D 40/26 (2006.01)

According to International Patent Classification (IPC) or to both national classification and IPC

B. FIELDS SEARCHED

Minimum documentation searched (classification system followed by classification symbols)

Documentation searched other than minimum documentation to the extent that such documents are included in the fields searched

Electronic data base consulted during the international search (name of data base and, where practicable, search terms used)

Databases: PATENW, WPI, EPODOC, Google Patents, Google. IPCs/CPCs: A45D2200/1009, A45D2200/1072, A45D2200/10, A46B2200/1046, A45D40/26, A45D34/04. Keywords: reservoir, ink, liquid, compressed, fibre, felt, cotton, eyeliner, wing, pen, stamp, exchange, detach, size, triangle and similar terms. Applicant/Inventor name searched in databases Espacenet, AUSPAT, Google, YouTube and internal databases provided by IP Australia.

C. DOCUMENTS CONSIDERED TO BE RELEVANT

Category*	Citation of document, with indication, where appropriate, of the relevant passages	Relevant to claim No.
	Documents are listed in the continuation of Box C	

 Further documents are listed in the continuation of Box C See patent family annex

* Special categories of cited documents:		
"A" document defining the general state of the art which is not considered to be of particular relevance	"T" later document published after the international filing date or priority date and not in conflict with the application but cited to understand the principle or theory underlying the invention	
"E" earlier application or patent but published on or after the international filing date	"X" document of particular relevance; the claimed invention cannot be considered novel or cannot be considered to involve an inventive step when the document is taken alone	
"L" document which may throw doubts on priority claim(s) or which is cited to establish the publication date of another citation or other special reason (as specified)	"Y" document of particular relevance; the claimed invention cannot be considered to involve an inventive step when the document is combined with one or more other such documents, such combination being obvious to a person skilled in the art	
"O" document referring to an oral disclosure, use, exhibition or other means	"&" document member of the same patent family	
"P" document published prior to the international filing date but later than the priority date claimed		

Date of the actual completion of the international search
28 August 2018

Date of mailing of the international search report
28 August 2018

Name and mailing address of the ISA/AU

AUSTRALIAN PATENT OFFICE
PO BOX 200, WODEN ACT 2606, AUSTRALIA
Email address: pct@ipaustralia.gov.au

Authorised officer

Tom Banks
AUSTRALIAN PATENT OFFICE
(ISO 9001 Quality Certified Service)
Telephone No. +61262832742

INTERNATIONAL SEARCH REPORT		International application No. PCT/AU2018/050818
C (Continuation). DOCUMENTS CONSIDERED TO BE RELEVANT		
Category*	Citation of document, with indication, where appropriate, of the relevant passages	Relevant to claim No.
X	US 2017/0156474 A1 (DJARAR FISCHER et al.) 08 June 2017 Figs 1-10, abstract	1-17, 19-21, 23
X	PERFECT WINGED EYELINER STAMP?! Does It Work!?! [Viewed on internet on 24 August 2018] Viewed on internet. < URL: https://www.youtube.com/watch?v=ooCLY_LP9sY >, Published on 25 April 2017 Whole citation	1-8, 10, 12-23
X	US 2008/0063463 A1 (Hori) 13 March 2008 Figs 18-19; para 0001, 0051	1-2, 8, 10, 12-14, 16, 20
X	EP 1105012 B1 (KIM, YOUNG YUG) 10 July 2002 Figs 1-11, abstract, paras 0046, 0050	1-2, 8-9, 13, 16, 20
A	US 2009/0317432 A1 (Kergosien) 24 December 2009 para 0296	15
A	US 4792252 A (Kremer et al.) 20 December 1988 Col 9, lines 29-36	15
A	US 3678947 A (Ehrlich) 25 July 1972 Col 3, lines 28-38	15
E	WO 2018/141014 A1 (PATSAIDES) 09 August 2018 Figs 17-22; para 14, 27 and 58	1-23

INTERNATIONAL SEARCH REPORT

Information on patent family members

International application No.

PCT/AU2018/050818

This Annex lists known patent family members relating to the patent documents cited in the above-mentioned international search report. The Australian Patent Office is in no way liable for these particulars which are merely given for the purpose of information.

Patent Document/s Cited in Search Report		Patent Family Member/s	
Publication Number	Publication Date	Publication Number	Publication Date
US 2017/0156474 A1	08 June 2017	US 2017156474 A1	08 Jun 2017
		WO 2017100210 A1	15 Jun 2017
US 2008/0063463 A1	13 March 2008	US 2008063463 A1	13 Mar 2008
		US 7887246 B2	15 Feb 2011
		CN 1972812 A	30 May 2007
		EP 1780046 A1	02 May 2007
		EP 1780046 B1	12 Feb 2014
		JP 3909775 B2	25 Apr 2007
		JP WO2005123416 A1	10 Apr 2008
		WO 2005123416 A1	29 Dec 2005
EP 1105012 B1	10 July 2002	EP 1105012 A2	13 Jun 2001
		EP 1105012 B1	10 Jul 2002
		AU 3444199 A	16 Nov 1999
		BR 9909957 A	30 Apr 2002
		CN 1398165 A	19 Feb 2003
		JP 2002512105 A	23 Apr 2002
		KR 19990064528 A	05 Aug 1999
		KR 100261343 B1	01 Jul 2000
		WO 9955187 A2	04 Nov 1999
US 2009/0317432 A1	24 December 2009	US 2009317432 A1	24 Dec 2009
		BR PI0720016 A2	17 Dec 2013
		EP 2109481 A2	21 Oct 2009
		FR 2909844 A1	20 Jun 2008
		FR 2909844 B1	11 Sep 2009
		WO 2008087508 A2	24 Jul 2008
US 4792252 A	20 December 1988	US 4792252 A	20 Dec 1988
		AU 5584186 A	24 Sep 1986
		EP 0197281 A2	15 Oct 1986
		EP 0197281 B1	11 Sep 1991
		WO 8605144 A1	12 Sep 1986
US 3678947 A	25 July 1972	US 3678947 A	25 Jul 1972
WO 2018/141014 A1	09 August 2018	WO 2018141014 A1	09 Aug 2018

Due to data integration issues this family listing may not include 10 digit Australian applications filed since May 2001.

Form PCT/ISA/210 (Family Annex)(January 2015)

INTERNATIONAL SEARCH REPORT Information on patent family members		International application No. PCT/AU2018/050818	
This Annex lists known patent family members relating to the patent documents cited in the above-mentioned international search report. The Australian Patent Office is in no way liable for these particulars which are merely given for the purpose of information.			
Patent Document/s Cited in Search Report		Patent Family Member/s	
Publication Number	Publication Date	Publication Number	Publication Date
End of Annex			