



US00D458071S

(12) **United States Design Patent**
Hoernig

(10) **Patent No.:** **US D458,071 S**

(45) **Date of Patent:** **** Jun. 4, 2002**

(54) **WALL SHELF**

D282,995 S * 3/1986 Beverly D6/574 X
D406,484 S * 3/1999 Wu D6/574 X

(75) Inventor: **Victor Hoernig**, Lowell, IN (US)

* cited by examiner

(73) Assignee: **Gusa, Inc.**, Fort Mill, SC (US)

Primary Examiner—Brian N. Vinson

(**) Term: **14 Years**

(74) *Attorney, Agent, or Firm*—Edgar A. Zarins; Lloyd D. Doigan

(21) Appl. No.: **29/144,446**

(57) **CLAIM**

(22) Filed: **Jul. 3, 2001**

The ornamental design for a wall shelf, as shown and described.

(51) **LOC (7) Cl.** **06-04**

DESCRIPTION

(52) **U.S. Cl.** **D6/574**

FIG. 1 is a perspective view of a wall shelf showing my new design;

(58) **Field of Search** D6/566, 567, 569,
D6/570, 574; 211/13.1, 30, 32, 34, 35,
86.01, 87.01, 88.01, 90.01, 126.1, 134

FIG. 2 is a right side view thereof;

FIG. 3 is a left side view thereof;

FIG. 4 is a front elevational view thereof;

FIG. 5 is a top plan view thereof;

FIG. 6 is a bottom plan view thereof; and,

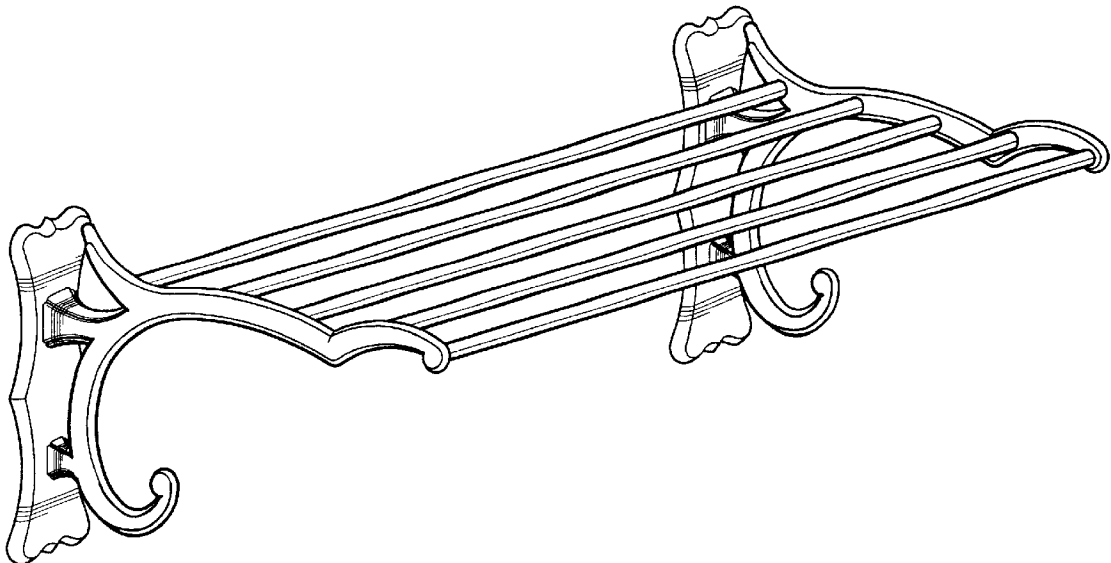
FIG. 7 is a rear elevational view thereof.

(56) **References Cited**

U.S. PATENT DOCUMENTS

905,787 A * 12/1908 McCombe D6/574 X
1,667,657 A * 4/1928 Dobert D6/574 X
3,419,155 A * 12/1968 Black et al. D6/574 X

1 Claim, 3 Drawing Sheets



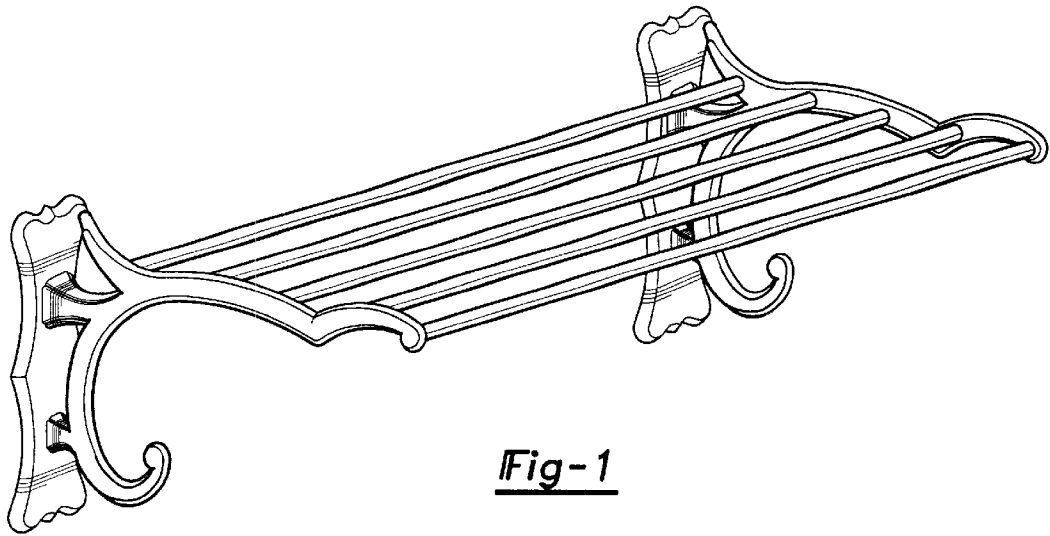


Fig-1

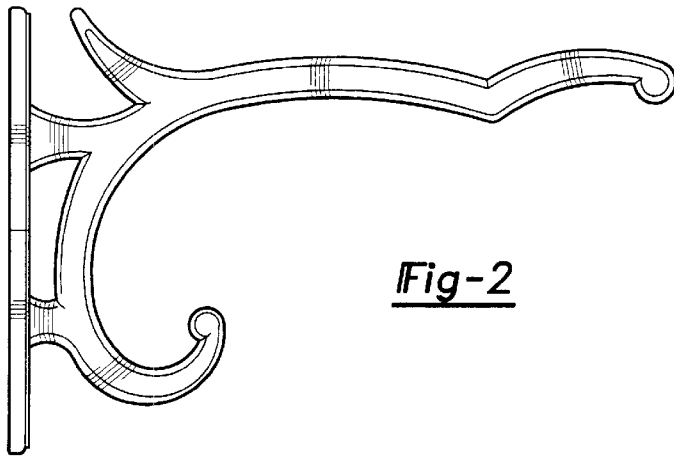


Fig-2

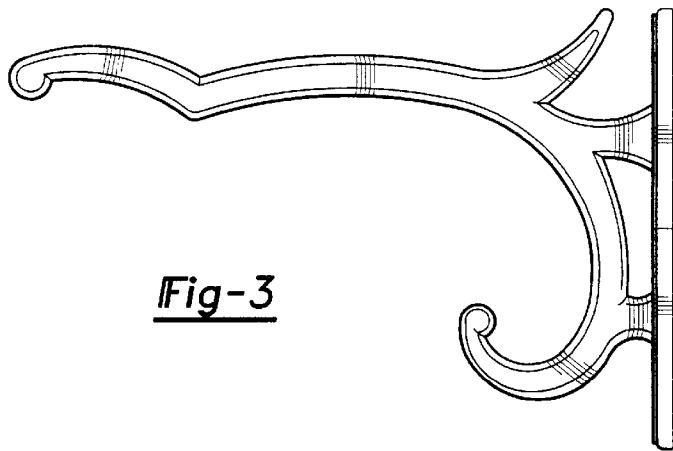


Fig-3

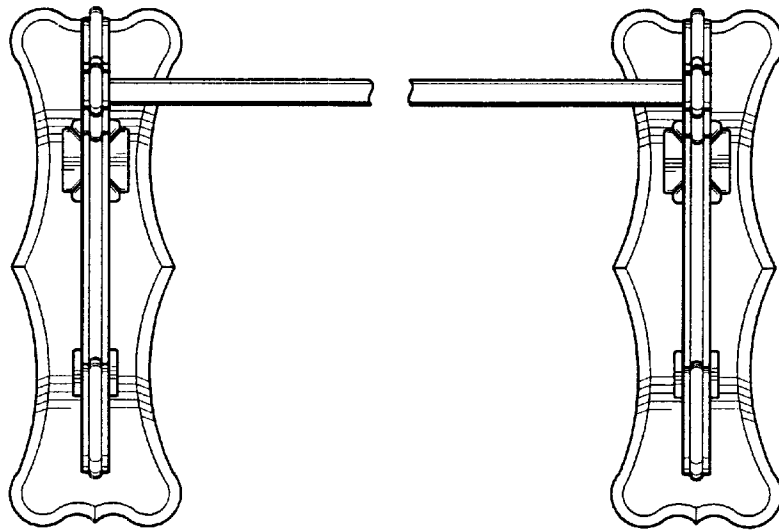


Fig-4

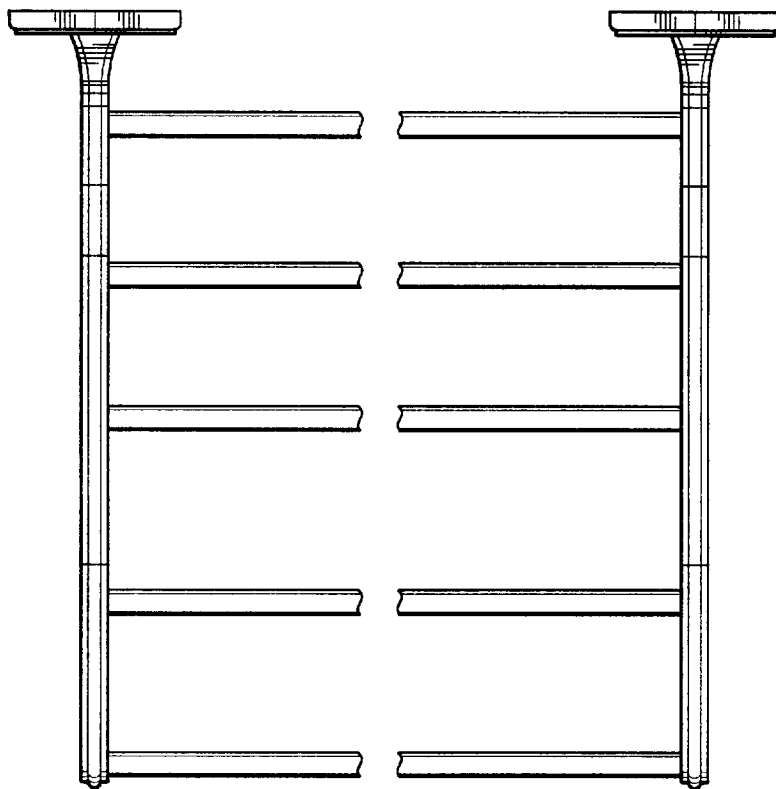


Fig-5

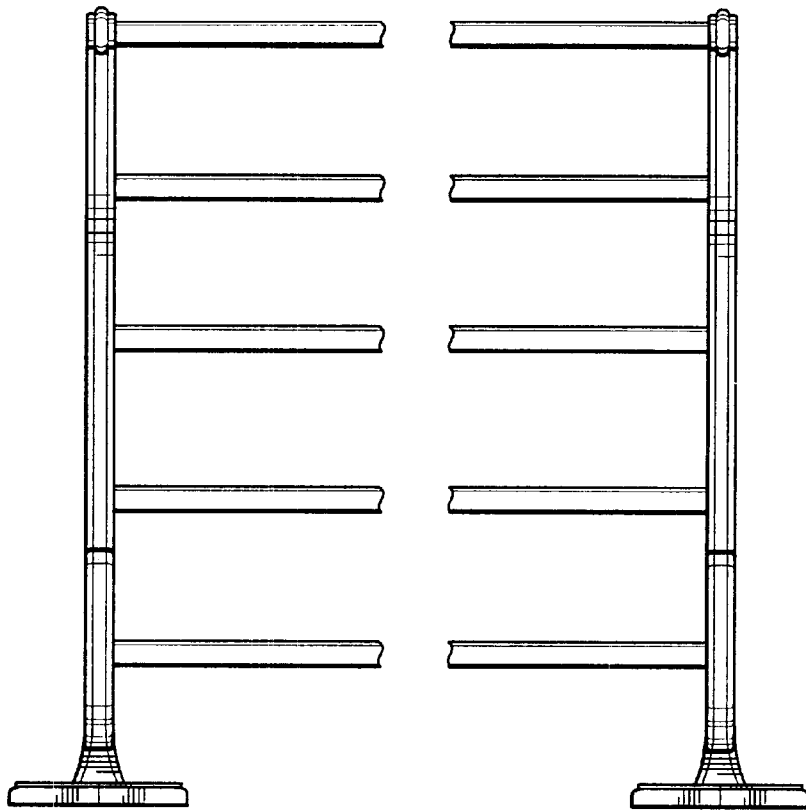


Fig-6

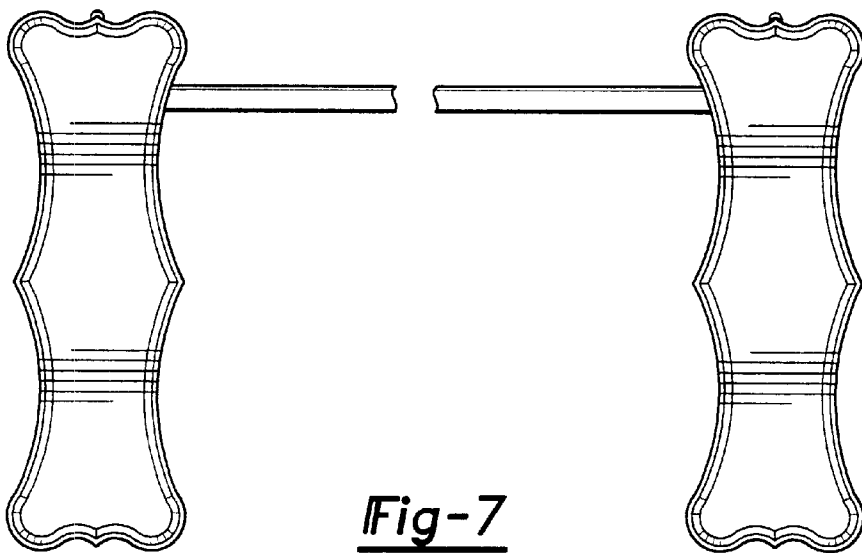


Fig-7