



US00D693124S

(12) **United States Design Patent**
Snyder

(10) **Patent No.:** **US D693,124 S**

(45) **Date of Patent:** **** Nov. 12, 2013**

(54) **TREESTAND ACCESSORY ORGANIZER**

Primary Examiner — Sandra Snapp

(76) Inventor: **Philip G Snyder**, Austintown, OH (US)

(74) *Attorney, Agent, or Firm* — Sinorica, LLC

(**) Term: **14 Years**

(21) Appl. No.: **29/418,176**

(57) **CLAIM**

The ornamental design for a treestand accessory organizer, as shown and described.

(22) Filed: **Apr. 12, 2012**

(51) **LOC (9) Cl.** **03-01**

(52) **U.S. Cl.**

USPC **D3/303**

(58) **Field of Classification Search**

USPC D3/234, 255, 271.9, 320, 256, 262, 279,
D3/299, 301, 303, 318, 319, 273, 289, 292,
D3/294-296, 232, 244; D9/424, 420;
D27/189; 206/349; 220/833; 312/902;
190/100; 150/100, 107, 118

See application file for complete search history.

DESCRIPTION

FIG. 1 is a perspective view of a treestand accessory organizer;

FIG. 2 is a front elevational view thereof;

FIG. 3 is a rear elevational view thereof;

FIG. 4 is a right-side elevational view thereof;

FIG. 5 is a left-side elevational view thereof;

FIG. 6 is a bottom plan view thereof;

FIG. 7 is a top plan view thereof;

FIG. 8 is a perspective view thereof, attached to a treestand;

FIG. 9 is a perspective view thereof, rolled up;

FIG. 10 is another perspective view thereof, rolled up;

FIG. 11 is a left-side view thereof, rolled up;

FIG. 12 is a front view thereof, rolled up;

FIG. 13 is a bottom view thereof; rolled up; and,

FIG. 14 is a perspective view thereof, rolled up and attached to a treestand.

The broken line showing of a tree and treestand in FIG. 8 and FIG. 14 is included for the purpose of showing environmental structure and forms no part of the claimed design.

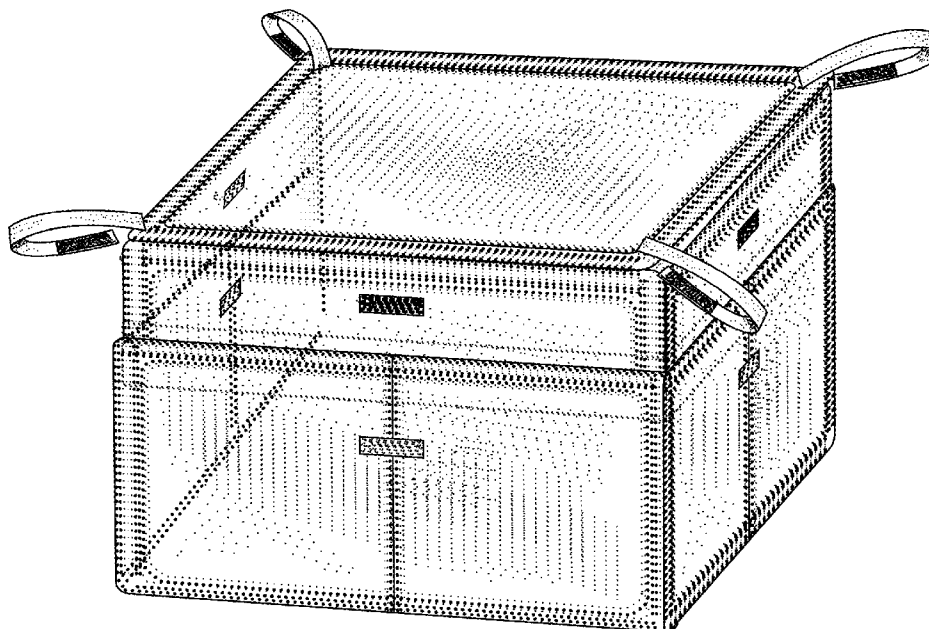
(56) **References Cited**

U.S. PATENT DOCUMENTS

4,126,213	A	*	11/1978	McDonald	190/18 A
D284,620	S	*	7/1986	Calton	D7/605
5,494,161	A	*	2/1996	Herbst	206/425
D373,514	S	*	9/1996	Melk	D7/607
D428,697	S	*	8/2000	Nally	D3/254
D442,780	S	*	5/2001	Hiernard	D3/294
D453,368	S	*	2/2002	Antonelli	D22/134
D471,013	S	*	3/2003	Peterson	D3/301
D537,713	S	*	3/2007	Limber	D3/294
D673,368	S	*	1/2013	Scott	D3/304

* cited by examiner

1 Claim, 14 Drawing Sheets



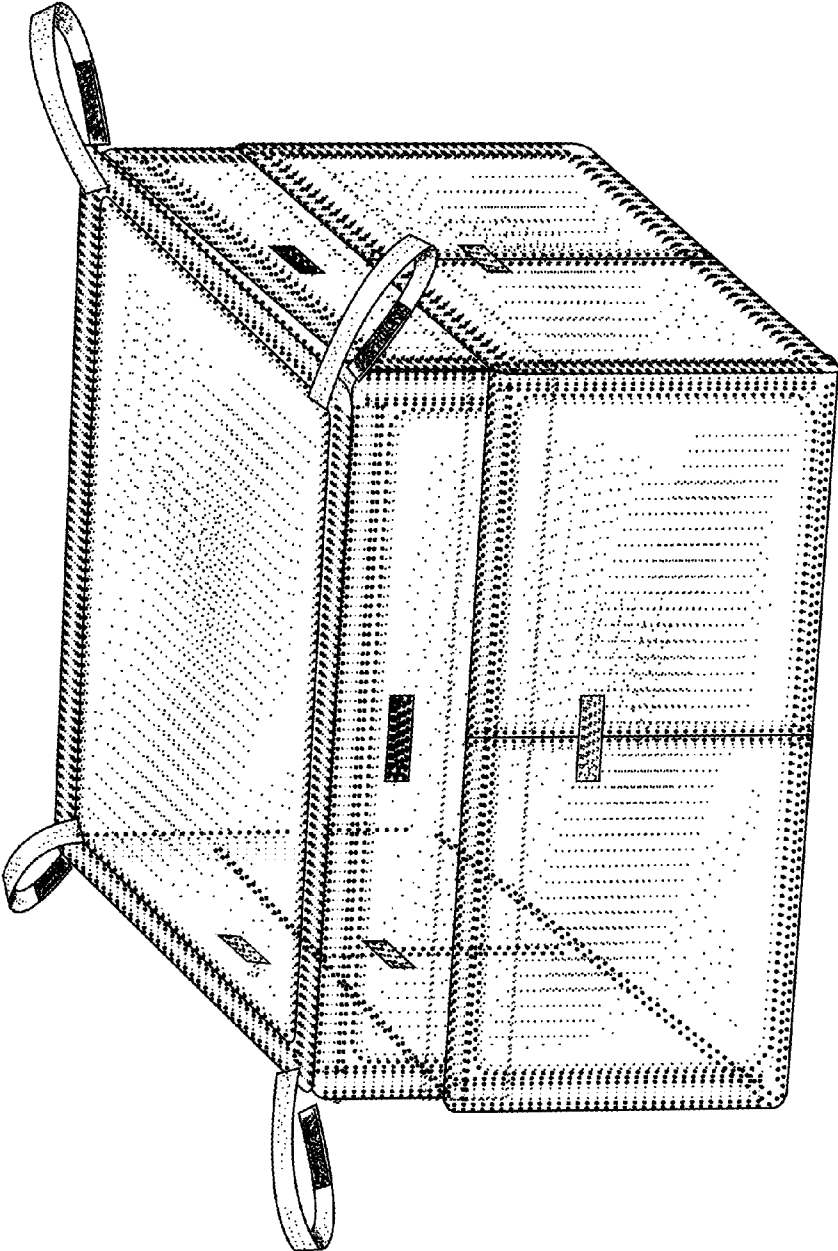


FIG. 1

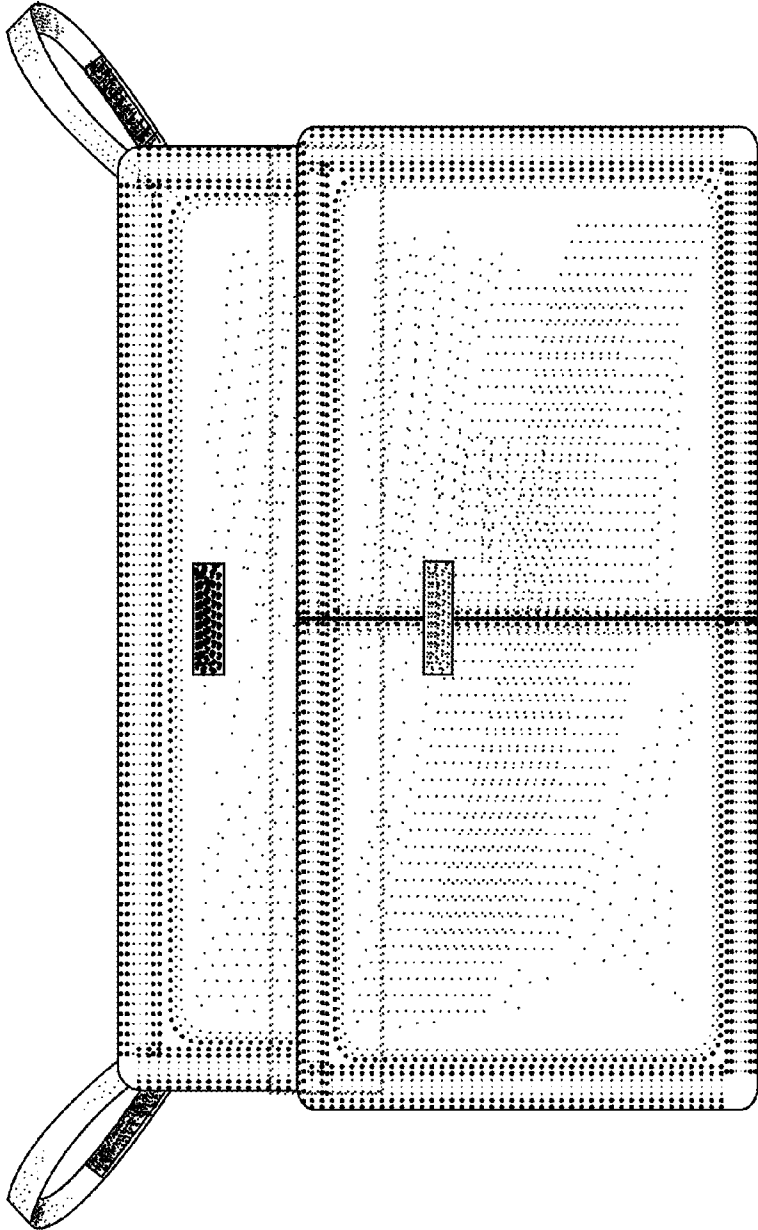


FIG. 2

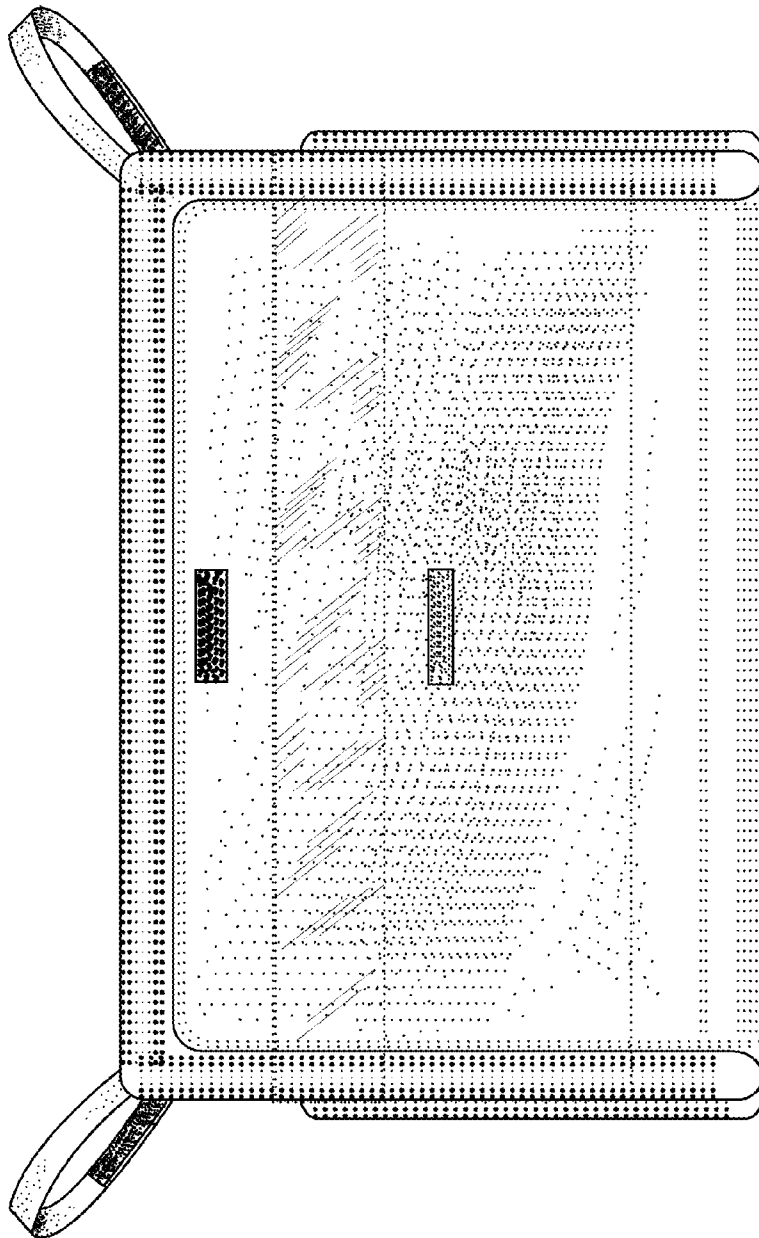


FIG. 3

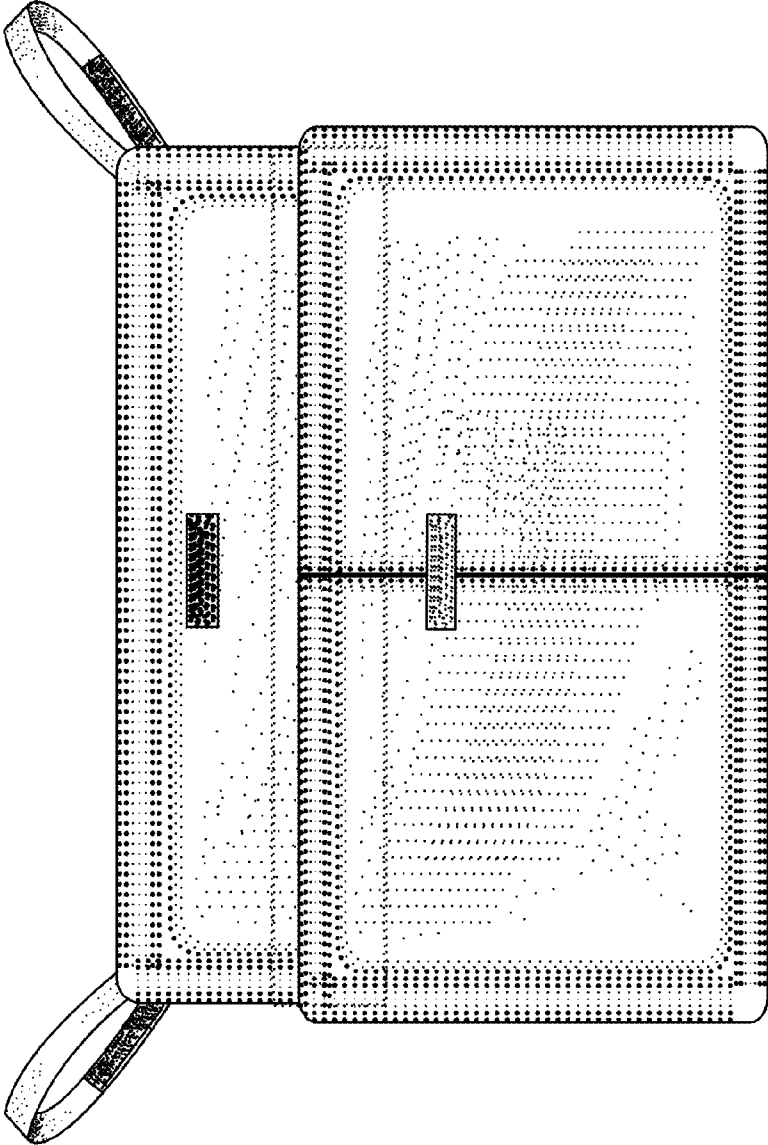


FIG. 4

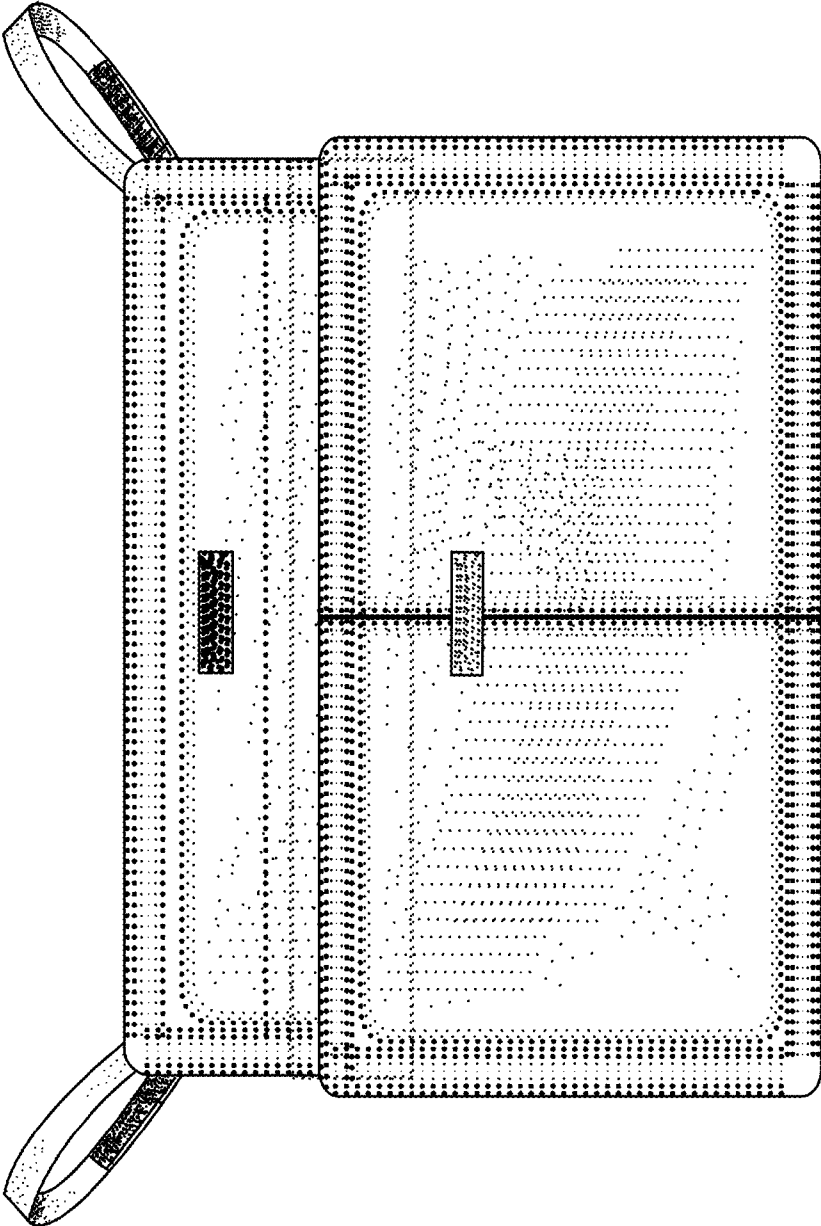


FIG. 5

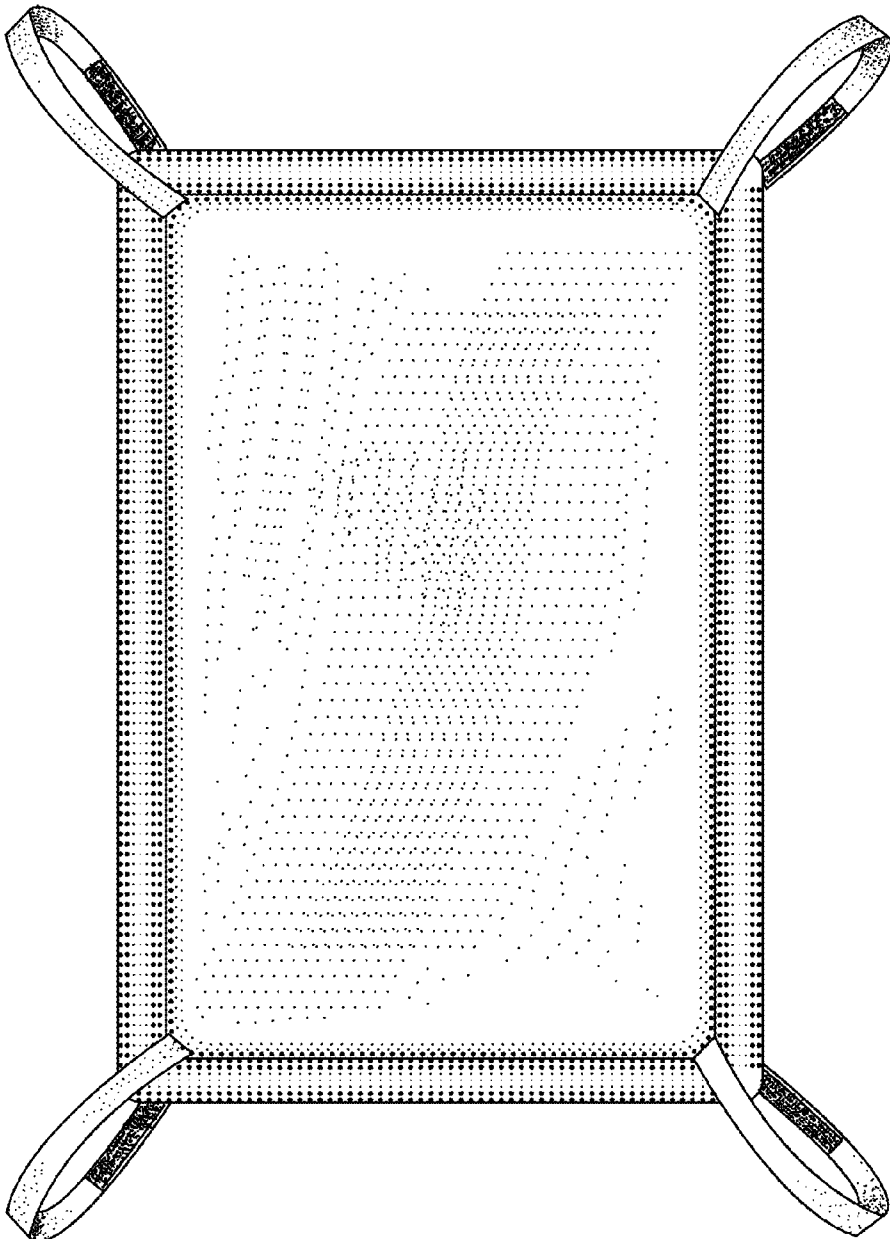


FIG. 6

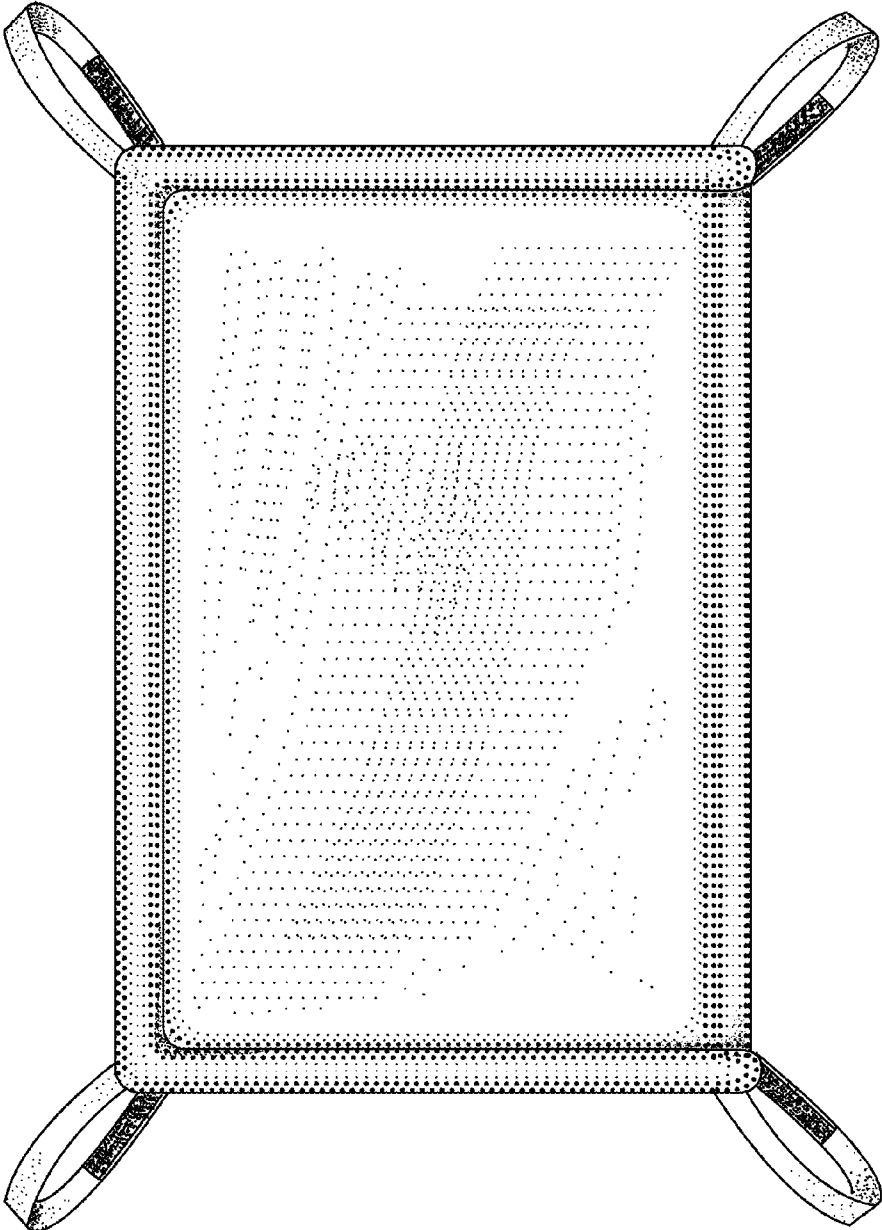


FIG. 7

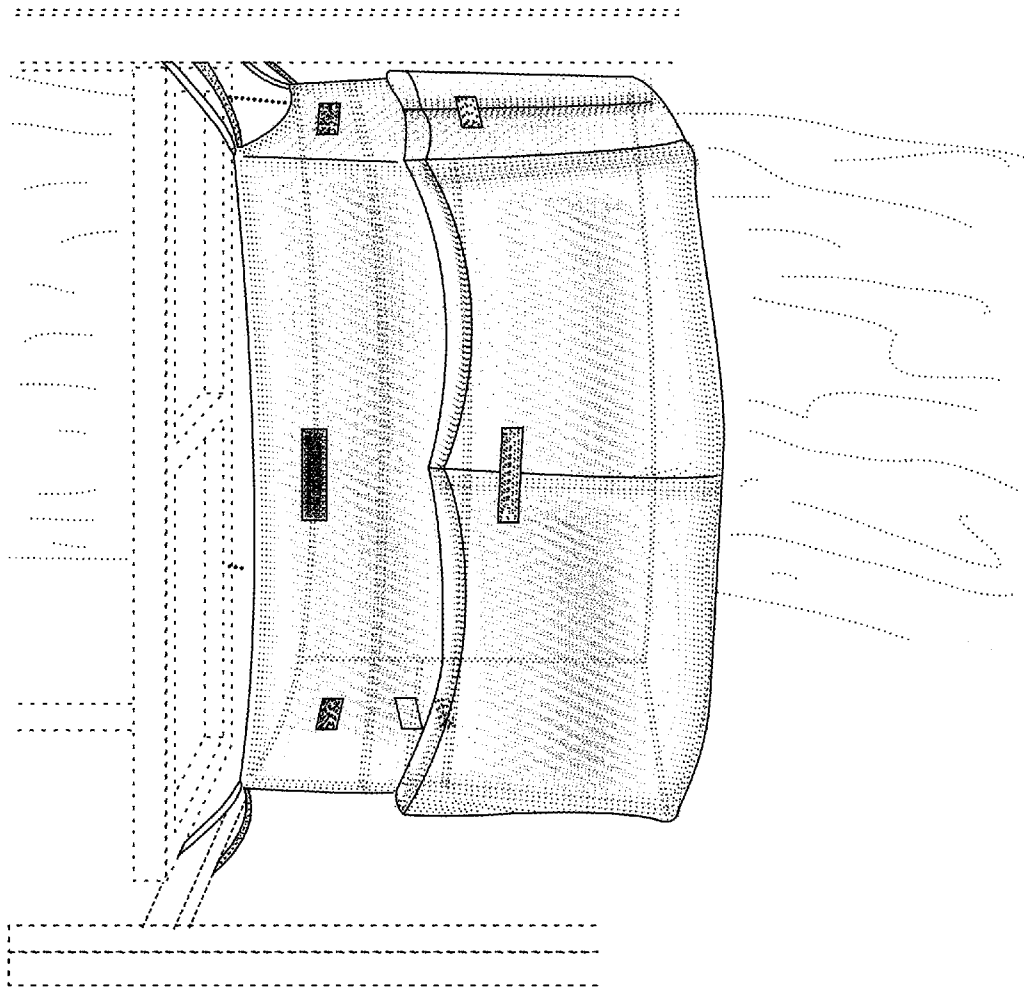


FIG. 8

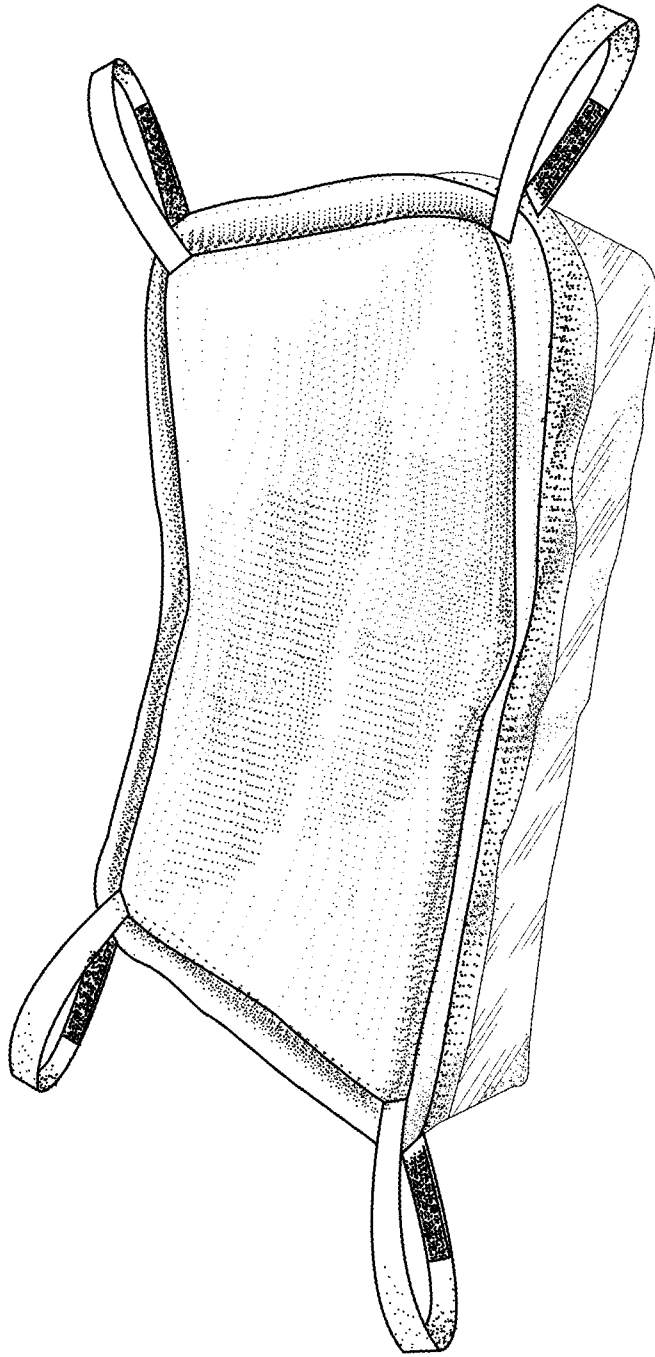


FIG. 9

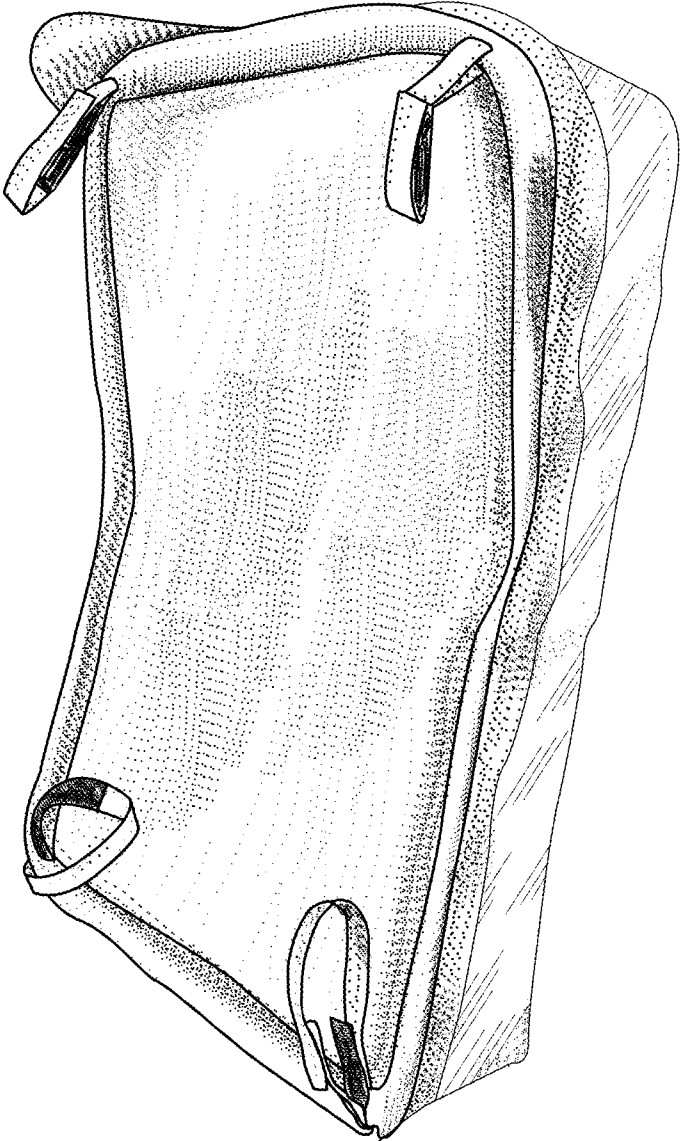


FIG. 10

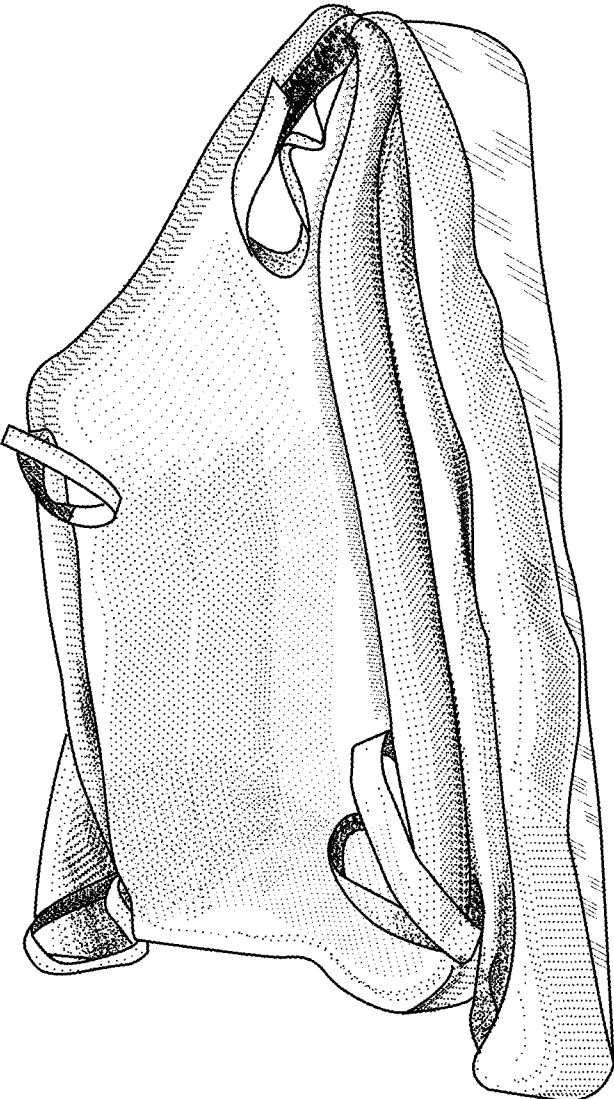


FIG. 11

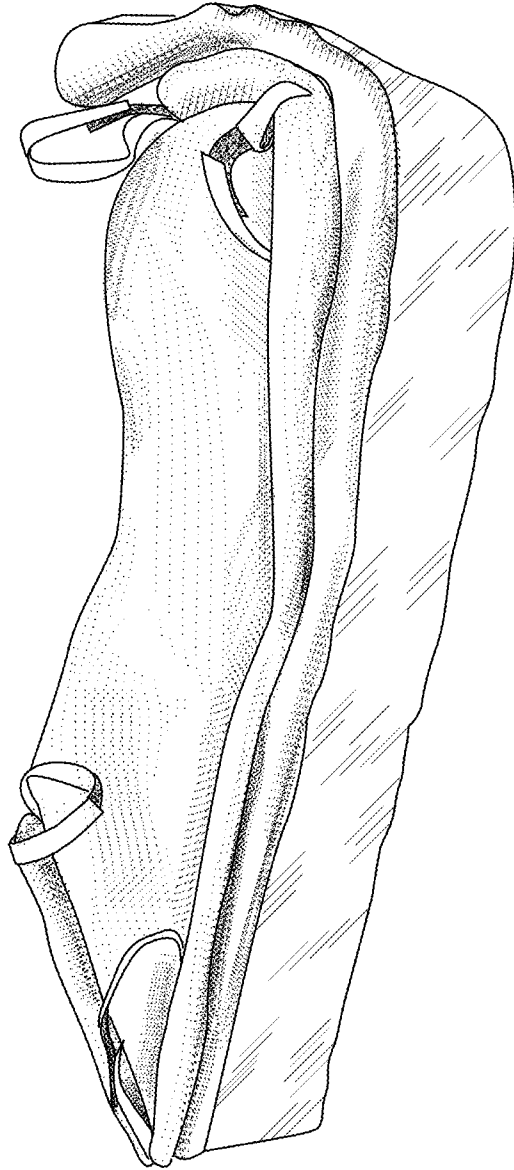


FIG. 12

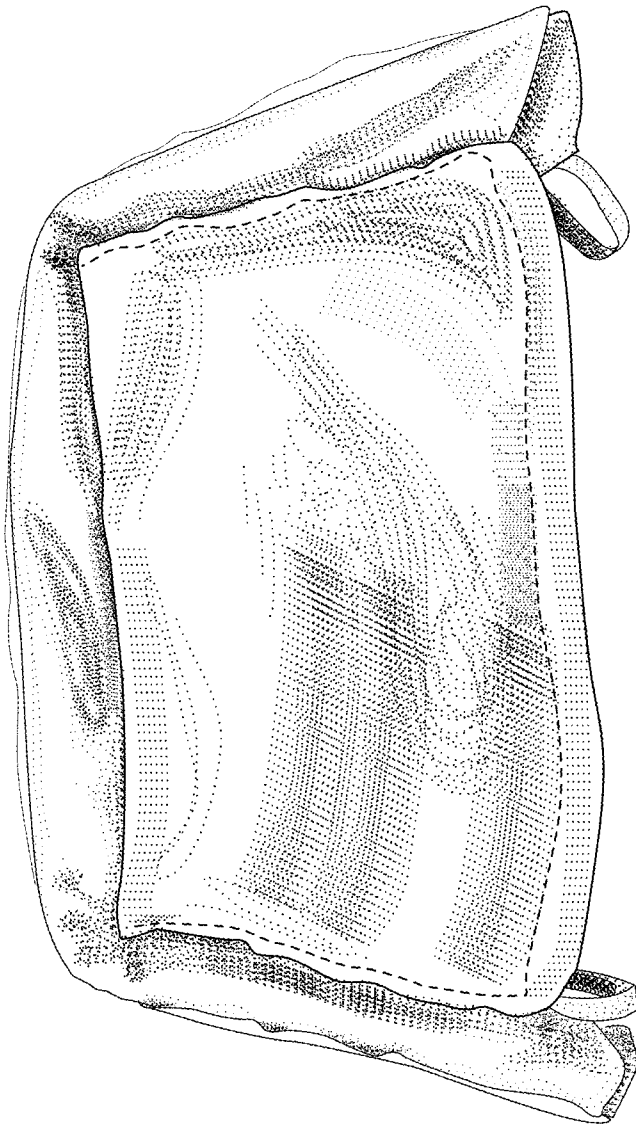


FIG. 13

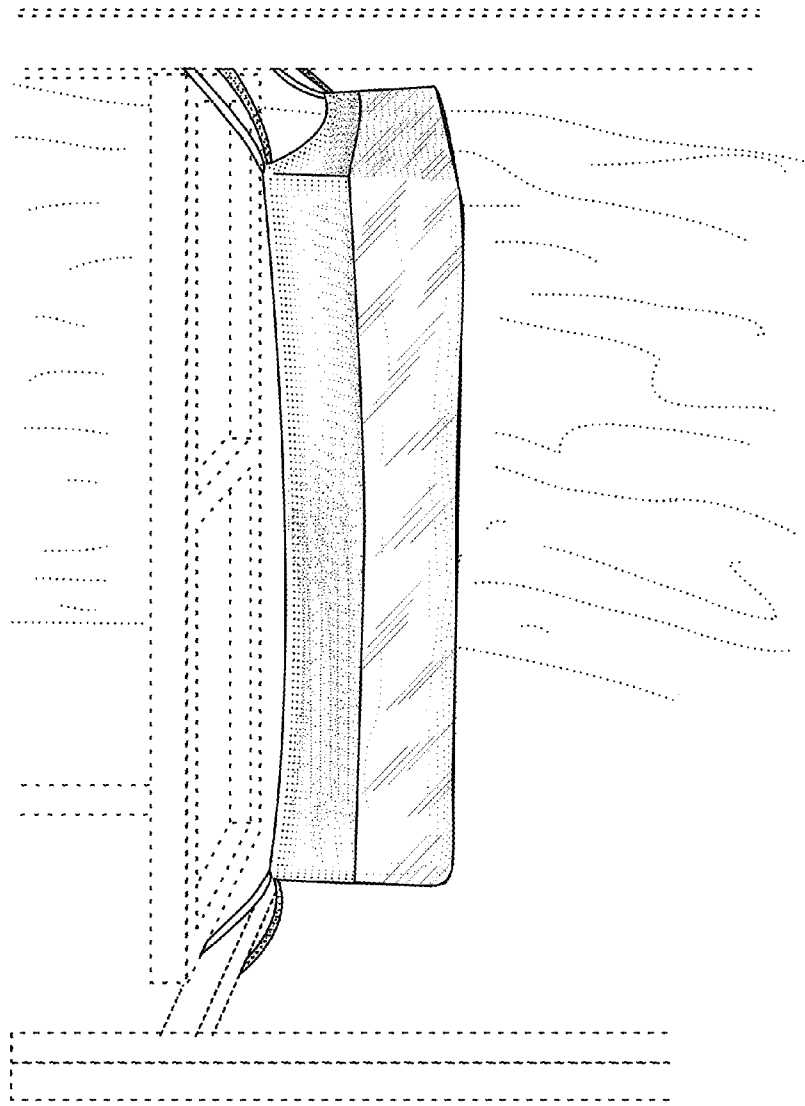


FIG. 14