



US00D764604S

(12) **United States Design Patent**
Company

(10) **Patent No.:** **US D764,604 S**

(45) **Date of Patent:** **** Aug. 23, 2016**

(54) **CHILDREN'S TOY**
(71) Applicant: **Steven Leo Company**, Boynton Beach,
FL (US)

8,359,122 B2 * 1/2013 Koselka B25J 5/007
700/245
D685,438 S * 7/2013 Fan D15/199
D695,345 S * 12/2013 Park D19/59

(72) Inventor: **Steven Leo Company**, Boynton Beach,
FL (US)

* cited by examiner

(**) Term: **14 Years**

Primary Examiner — Zenia Bennett

(74) *Attorney, Agent, or Firm* — Lyman Smith

(21) Appl. No.: **29/524,706**

(57) **CLAIM**

The ornamental design for a children's toy, as shown and described.

(22) Filed: **Apr. 22, 2015**

(51) **LOC (10) Cl.** **21-01**

(52) **U.S. Cl.**

USPC **D21/578**

(58) **Field of Classification Search**

USPC D21/578-583, 621, 622; 446/268-274,
446/279, 280, 285, 289-292, 294, 297-303,
446/353-355, 376-384; D15/199;
318/568.11, 568.12, 568.2

CPC B25J 9/00

See application file for complete search history.

DESCRIPTION

FIG. 1 is a perspective view of a children's toy;
FIG. 2 is a front view of the children's toy;
FIG. 3 is a back view of the children's toy;
FIG. 4 is a right side view of the children's toy;
FIG. 5 is a left side view of the children's toy;
FIG. 6 is a top view of the children's toy;
FIG. 7 is a bottom view of the children's toy;
FIG. 8 is a rear perspective view of the children's toy with
arms extended;
FIG. 9 is a right side view of the children's toy with arms
extended; and,
FIG. 10 is a left side view of the children's toy with arms
extended.

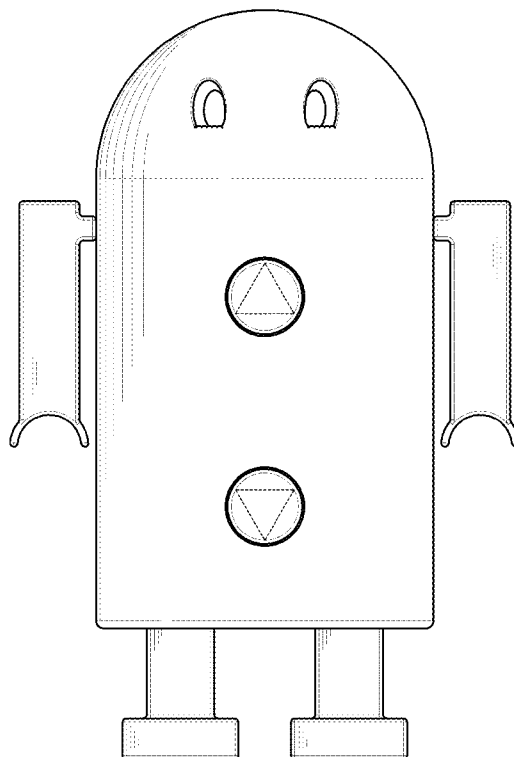
The level on the rear of the children's toy is shown in broken
lines for illustrative purposes only and form no part of the
claimed design.

(56) **References Cited**

U.S. PATENT DOCUMENTS

6,604,021 B2 * 8/2003 Imai G06N 3/008
318/568.11
D563,443 S * 3/2008 Ahn D15/199
D624,610 S * 9/2010 Wu D21/578
D639,353 S * 6/2011 Stibolt D21/578

1 Claim, 7 Drawing Sheets



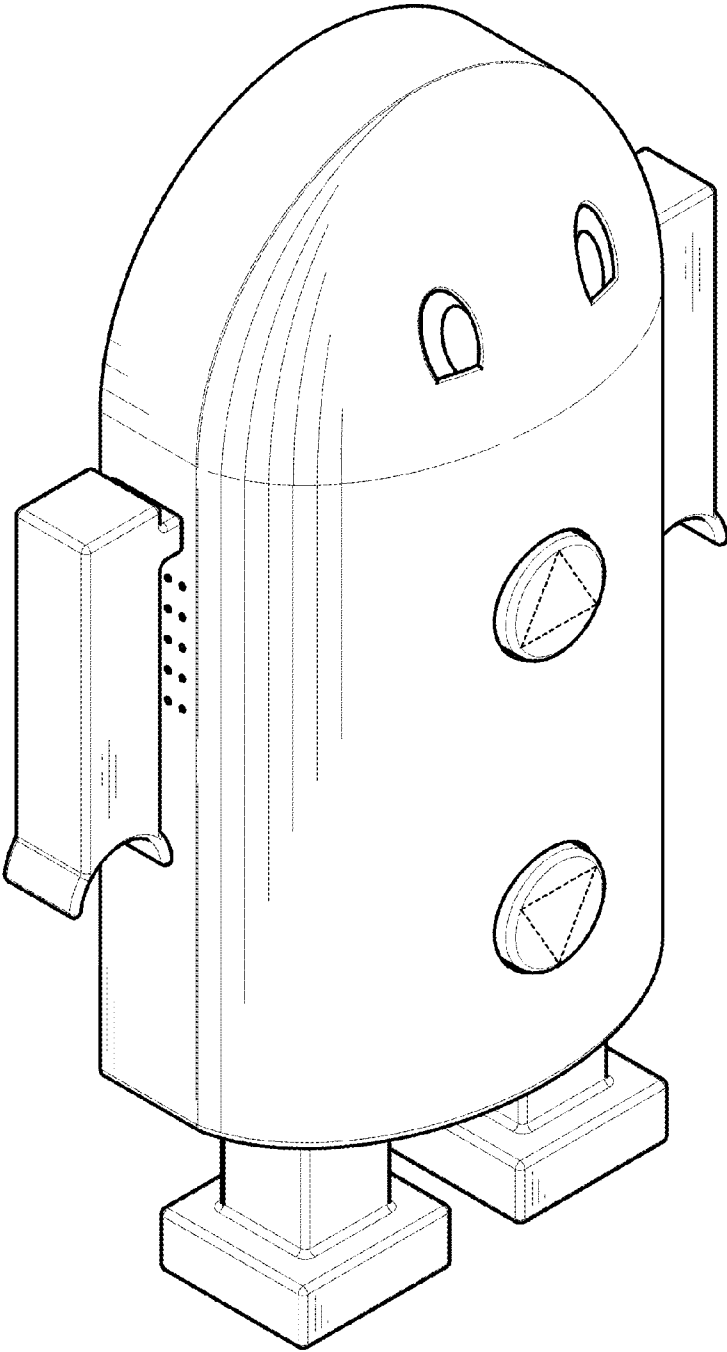


FIG.1

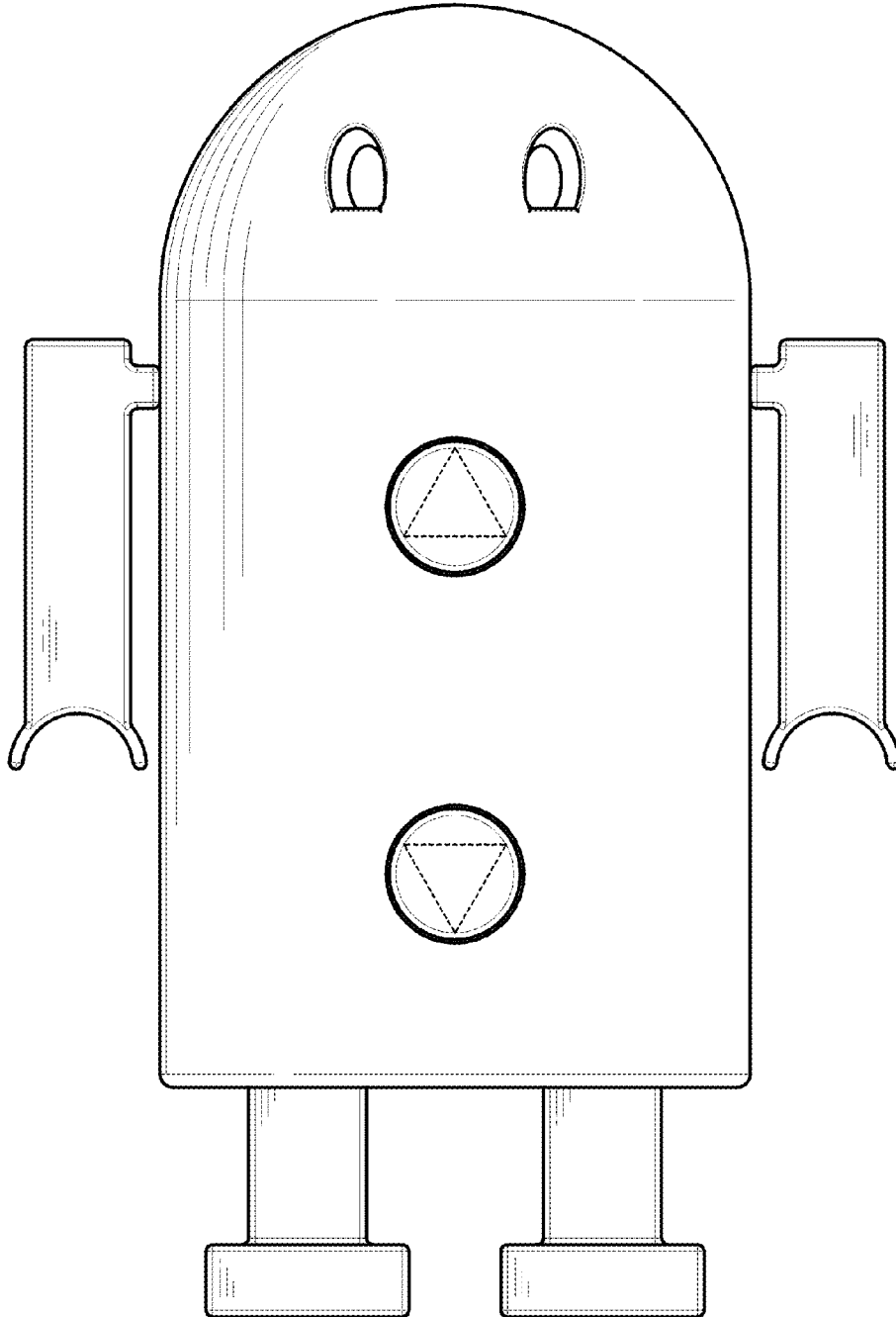


FIG.2

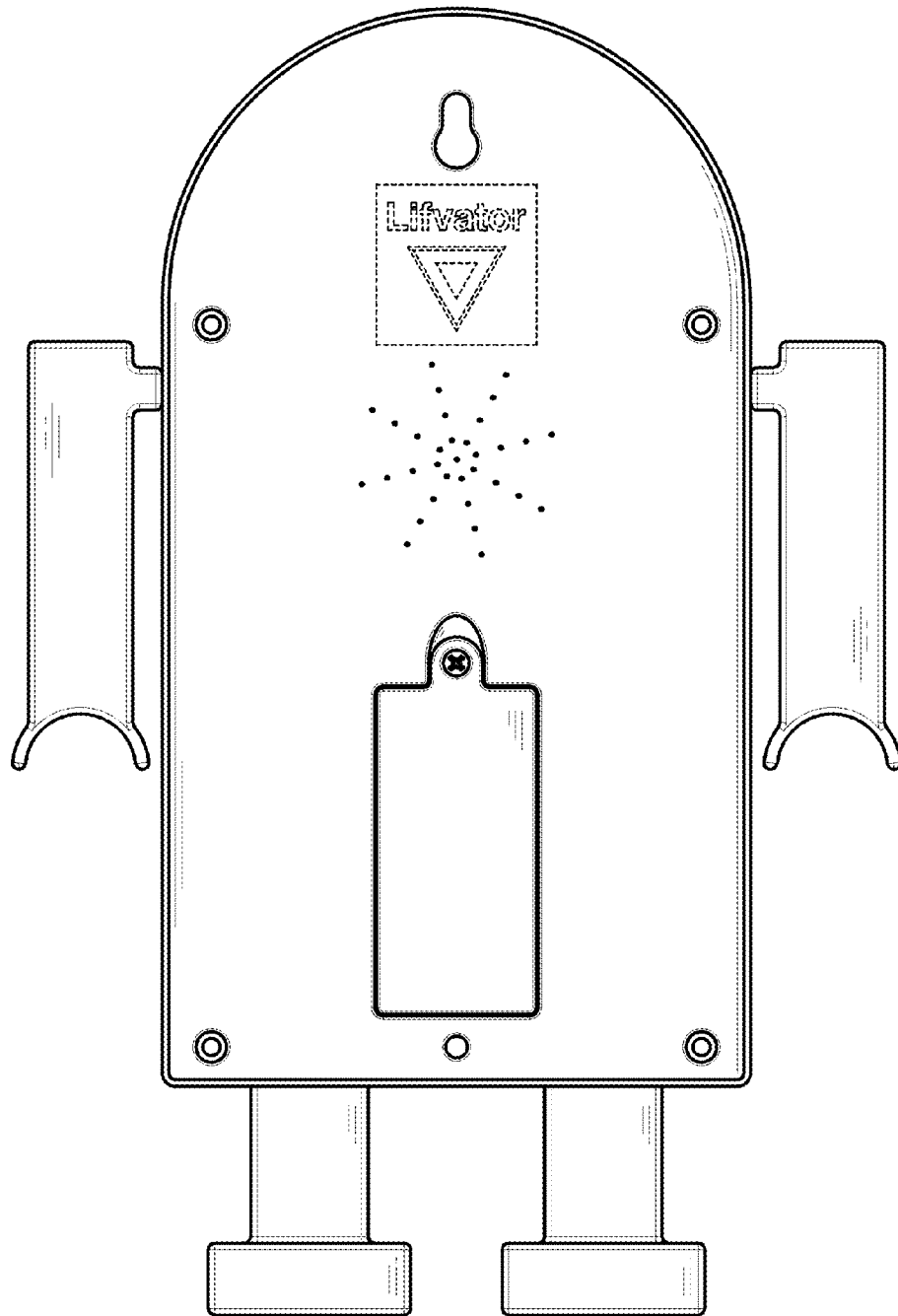


FIG.3

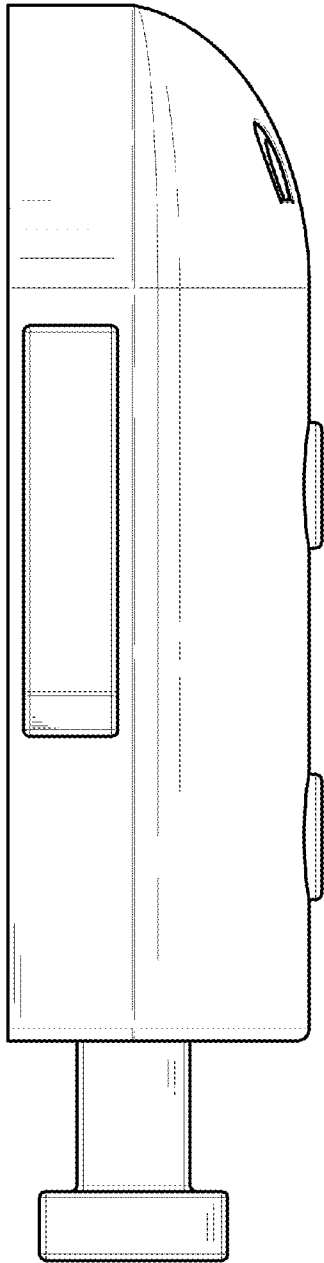


FIG. 4

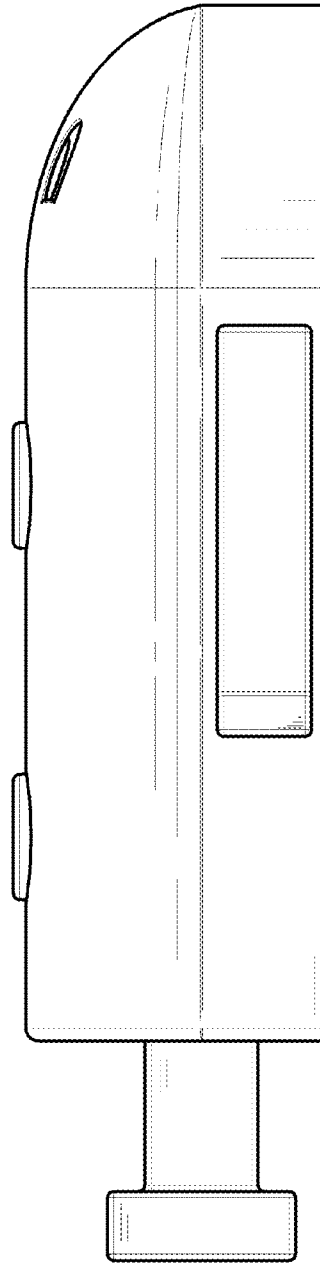


FIG. 5

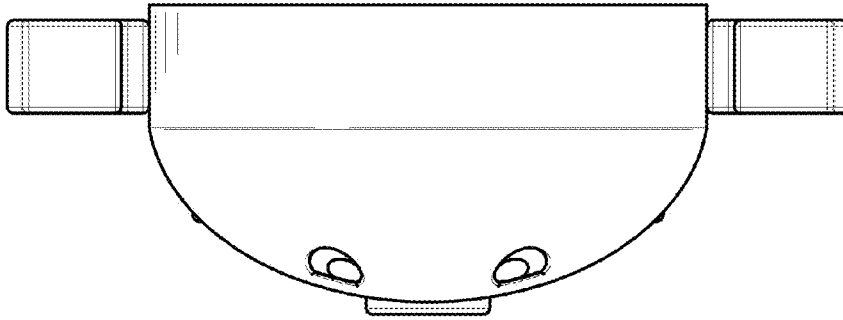


FIG. 6

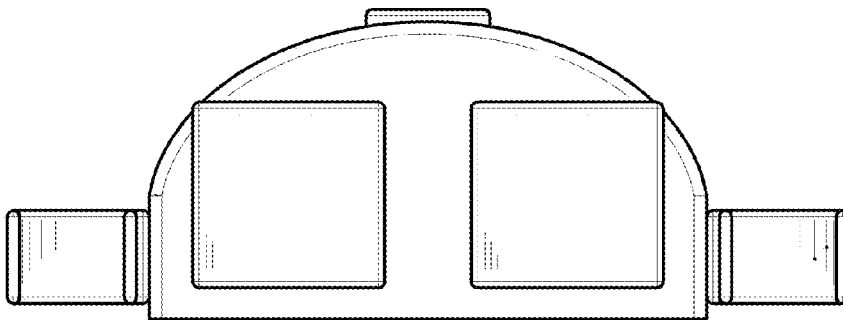


FIG. 7

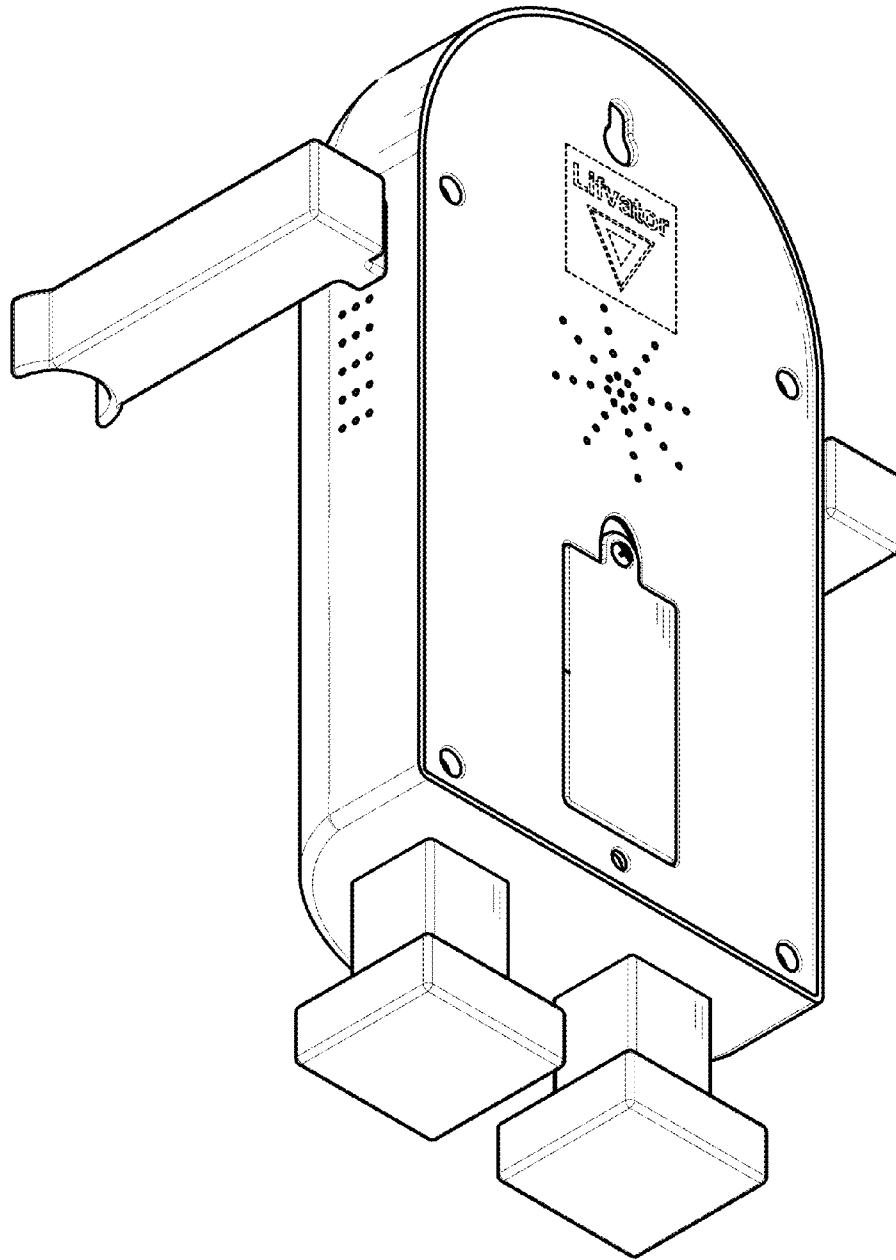


FIG.8

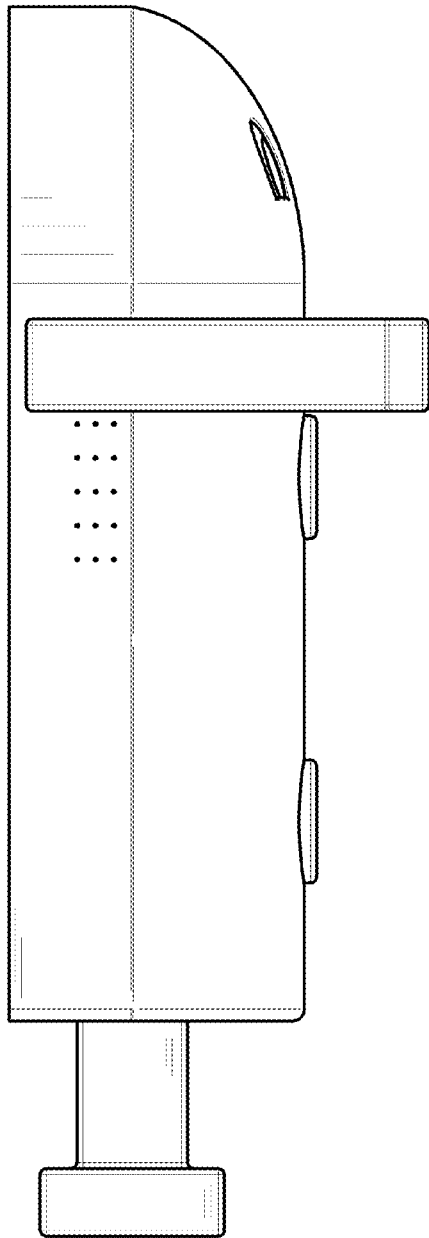


FIG.9

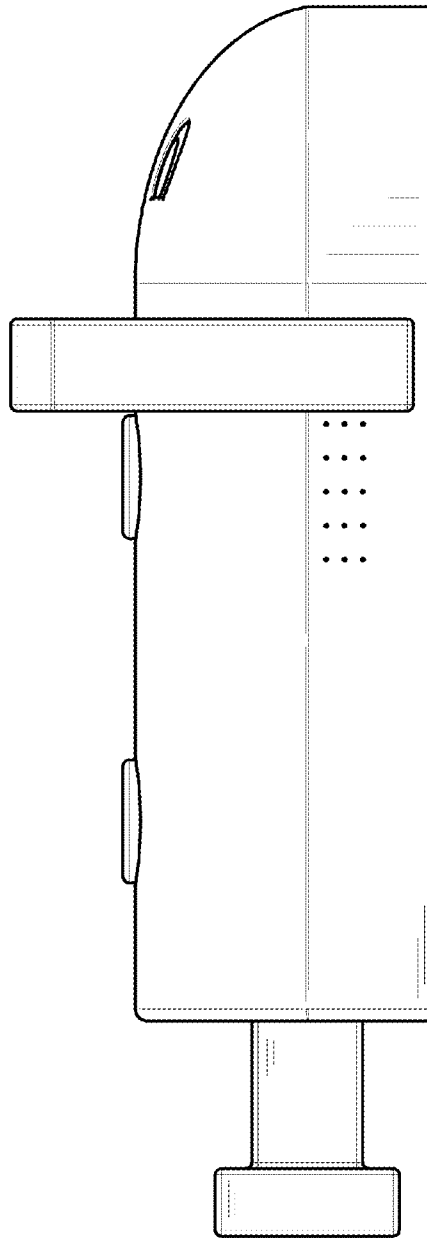


FIG.10