



US00D967640S

(12) **United States Design Patent**  
**Chen**

(10) **Patent No.:** **US D967,640 S**

(45) **Date of Patent:** **\*\* Oct. 25, 2022**

- (54) **WOBBLE STOOL**
- (71) Applicant: **Chiung-Kuang Chen**, Dongguan (CN)
- (72) Inventor: **Chiung-Kuang Chen**, Dongguan (CN)
- (\*\*) Term: **15 Years**
- (21) Appl. No.: **29/760,787**
- (22) Filed: **Dec. 3, 2020**
- (30) **Foreign Application Priority Data**

D764,200	S	*	8/2016	Elmaleh	.....	D6/349
D801,064	S	*	10/2017	Von Boetticher	.....	D6/352
D801,714	S	*	11/2017	Elmaleh	.....	D6/352
D808,183	S	*	1/2018	Ono	.....	D6/352
9,894,998	B2	*	2/2018	Walser	.....	A47C 3/02
D823,624	S	*	7/2018	Elmaleh	.....	D6/716
D889,860	S	*	7/2020	Failing	.....	D6/349
D895,990	S	*	9/2020	Reyes	.....	D6/352
D901,958	S	*	11/2020	Failing	.....	D6/708.2
D910,324	S	*	2/2021	Tao	.....	D6/348
2018/0199719	A1	*	7/2018	Keen	.....	A47C 7/004

- Oct. 16, 2020 (CN) ..... 202030615927.2
- (51) **LOC (13) Cl.** ..... **06-01**
- (52) **U.S. Cl.**
- USPC ..... **D6/352; D6/349; D6/353**
- (58) **Field of Classification Search**
- USPC ..... D6/334, 335, 336, 349, 350, 351, 353,  
D6/675, 685, 355, 657, 663, 691.7, 691,  
D6/352; D21/522
- CPC . A01J 1/00; A01K 97/22; A47C 3/025; A47C  
17/045; A47C 9/002; A47C 9/027; A47C  
3/0252
- See application file for complete search history.

**OTHER PUBLICATIONS**

W3 3D Stool, available in ambitedirect.com, earliest available date Oct. 4, 2019 Year 2019 [online], Retrieved on May 26, 2022 from URL: [https://www.ambitedirect.com/en/wagner/w3-3d-stool\\_pid\\_1284540.html](https://www.ambitedirect.com/en/wagner/w3-3d-stool_pid_1284540.html) (Year: 2019).\*

\* cited by examiner

*Primary Examiner* — Vy N Koenig  
*Assistant Examiner* — Michelle M Reeves

(57) **CLAIM**

The ornamental design for a wobble stool, as shown and described.

(56) **References Cited**

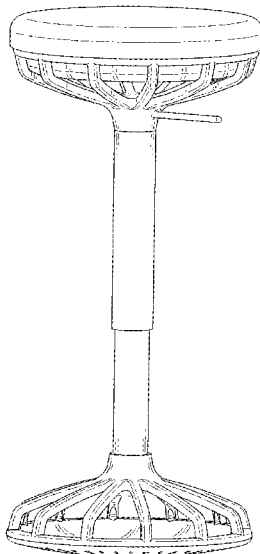
**DESCRIPTION**

**U.S. PATENT DOCUMENTS**

3,312,437	A	*	4/1967	Barth	.....	A47C 9/025 248/188.7
5,044,587	A	*	9/1991	Degen	.....	A47C 9/002 108/150
D565,313	S	*	4/2008	Johnsen	.....	D6/349
D664,779	S	*	8/2012	Weber	.....	A47C 9/002 D6/349
D686,829	S	*	7/2013	Elmaleh	.....	D6/352
D740,041	S	*	10/2015	Chadwick	.....	A47C 9/002 D6/352
D745,287	S	*	12/2015	Chadwick	.....	D6/352
D746,073	S	*	12/2015	Elmaleh	.....	D6/349
D748,924	S	*	2/2016	Walser	.....	D6/352

FIG. 1 is a perspective view of wobble stool showing my new design;  
FIG. 2 is a front elevational view thereof;  
FIG. 3 is a rear elevational view thereof;  
FIG. 4 is a left side elevational view thereof;  
FIG. 5 is a right side elevational view thereof;  
FIG. 6 is a top plan view thereof;  
FIG. 7 is a bottom plan view thereof; and  
FIG. 8 is a bottom perspective view thereof.  
The broken lines in the drawings depict portions of the wobble stool that form no part of the claimed design.

**1 Claim, 8 Drawing Sheets**



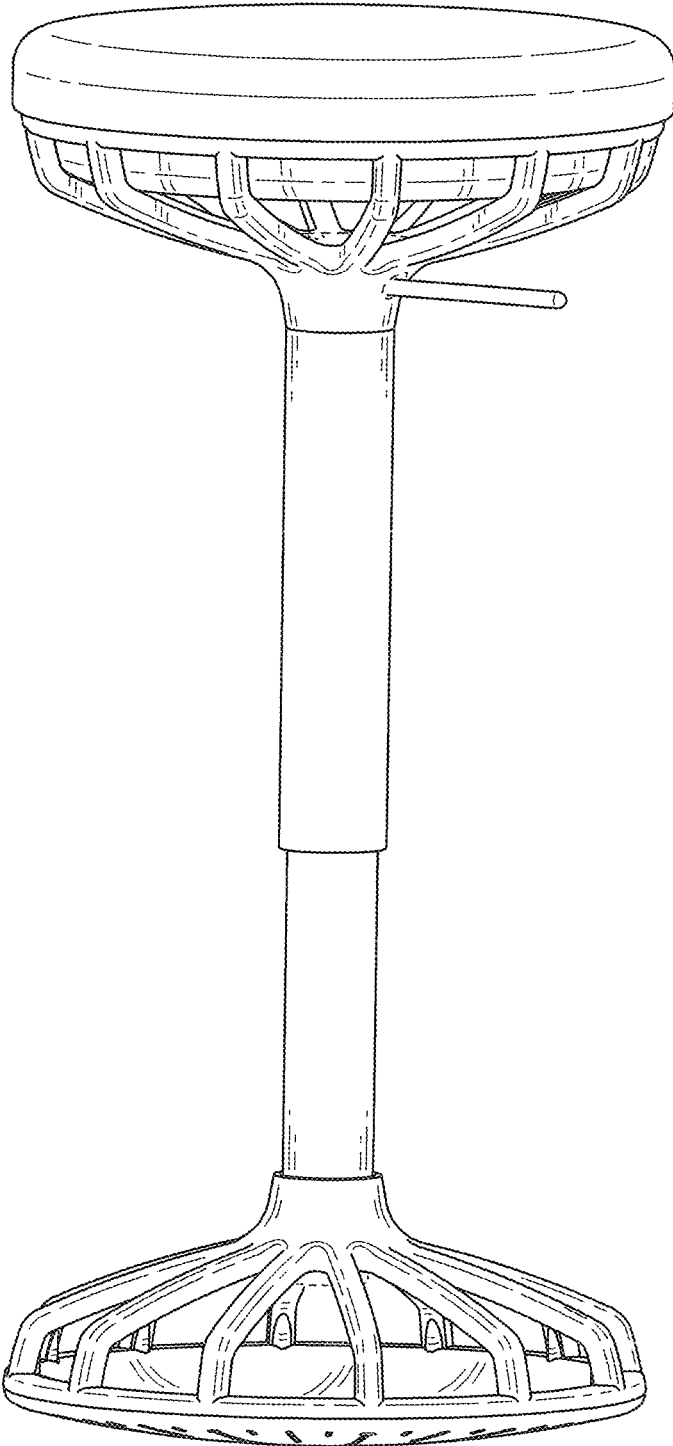


FIG. 1

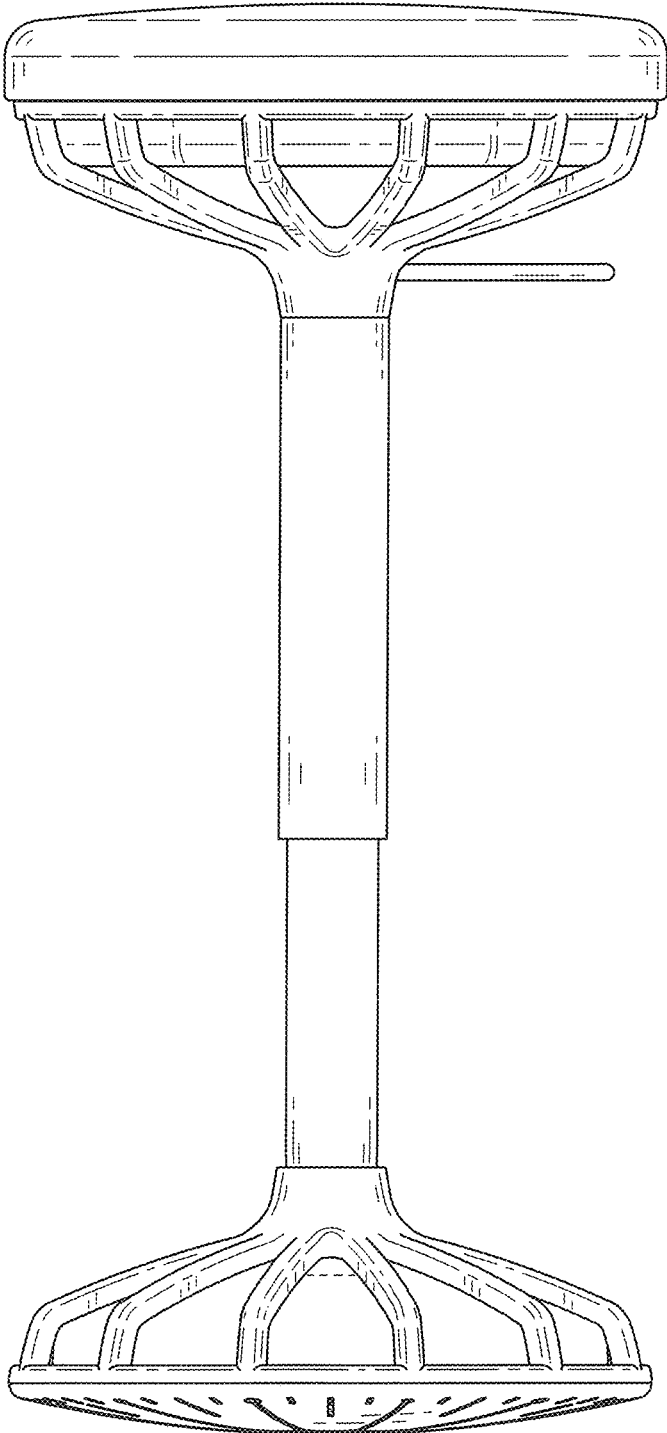


FIG. 2

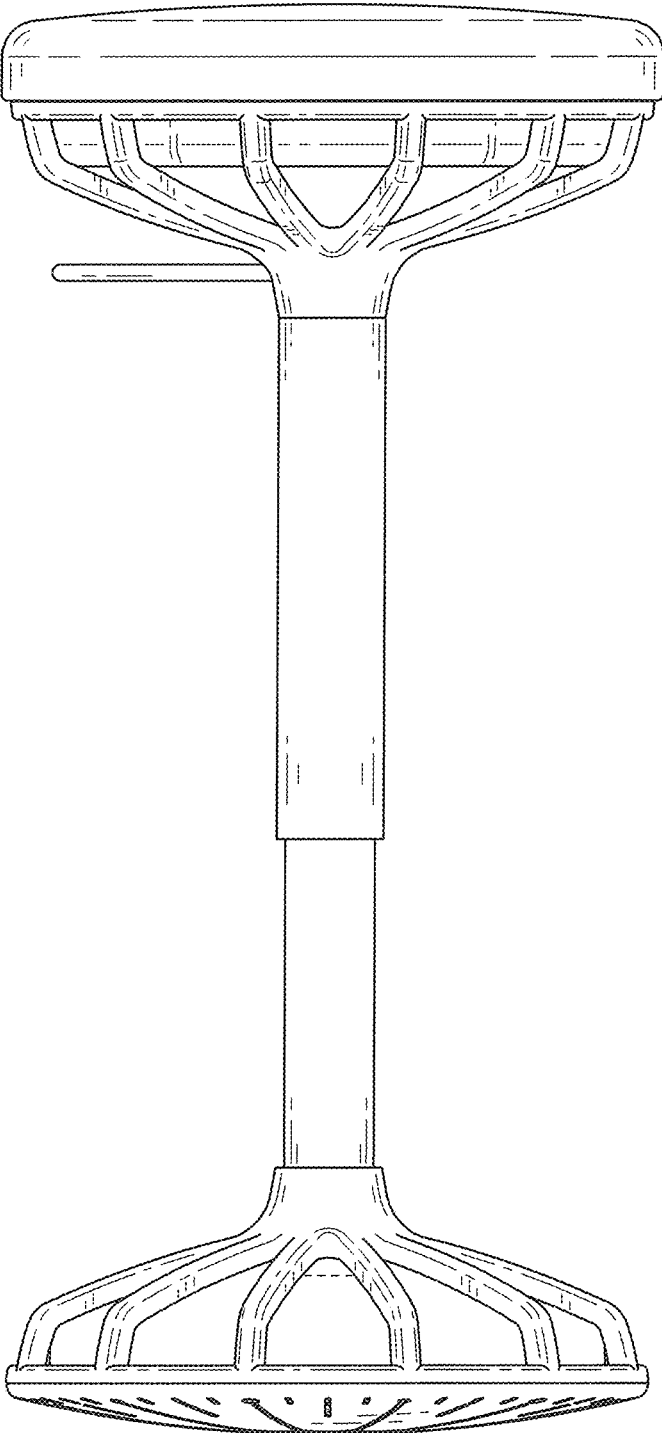


FIG. 3

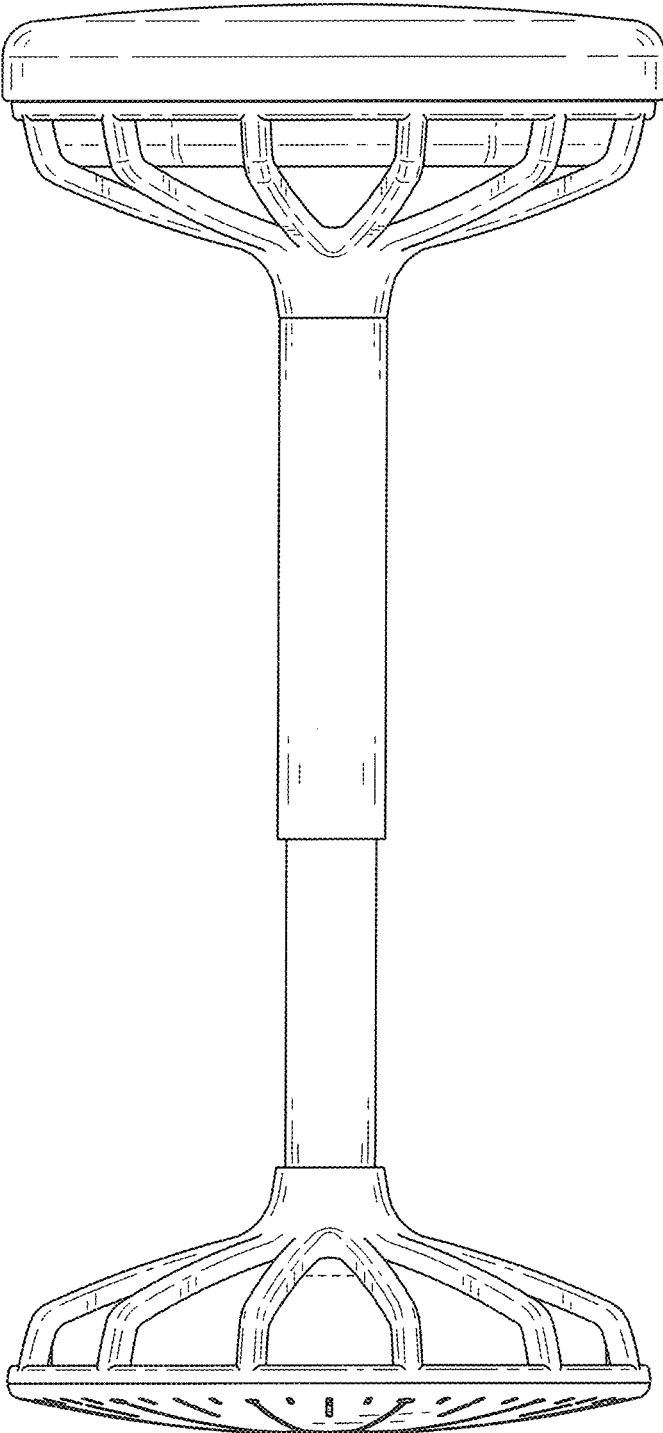


FIG. 4

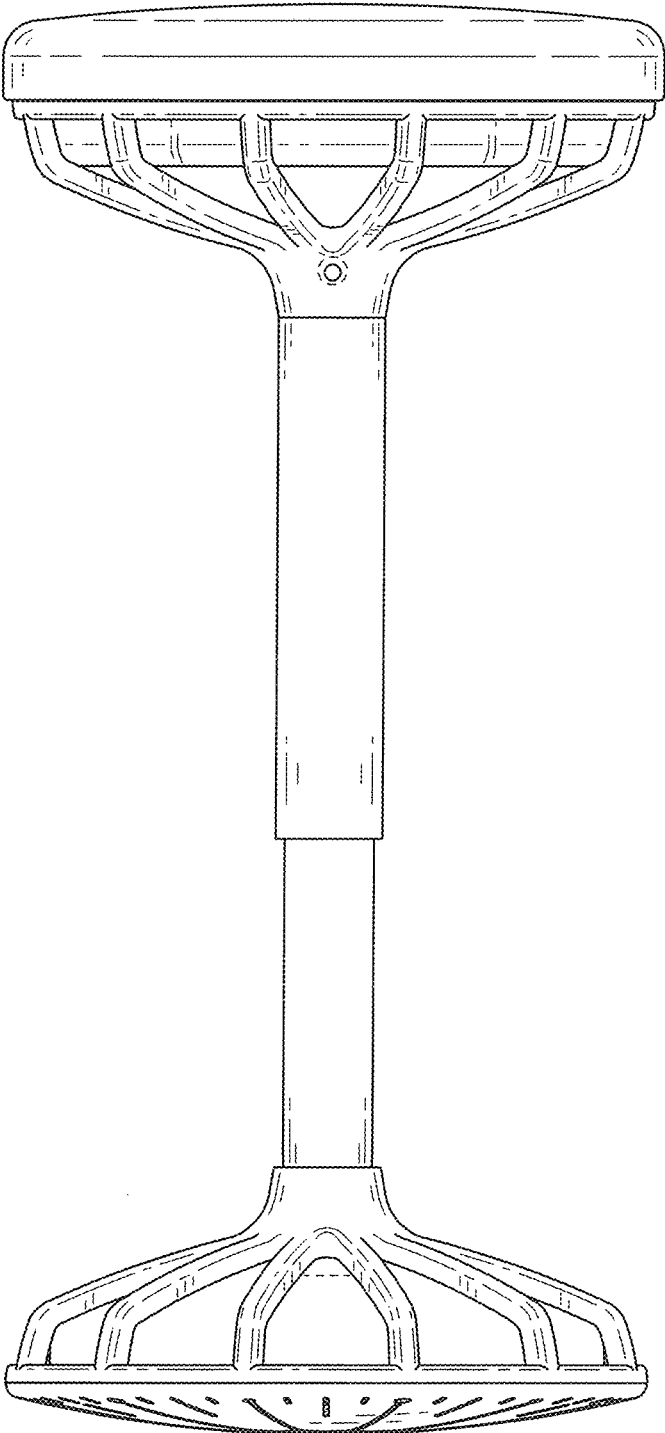


FIG. 5

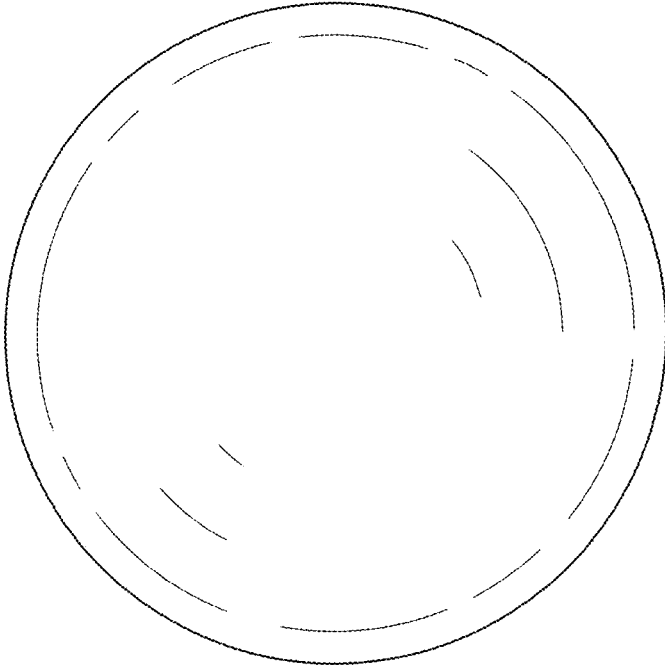


FIG. 6

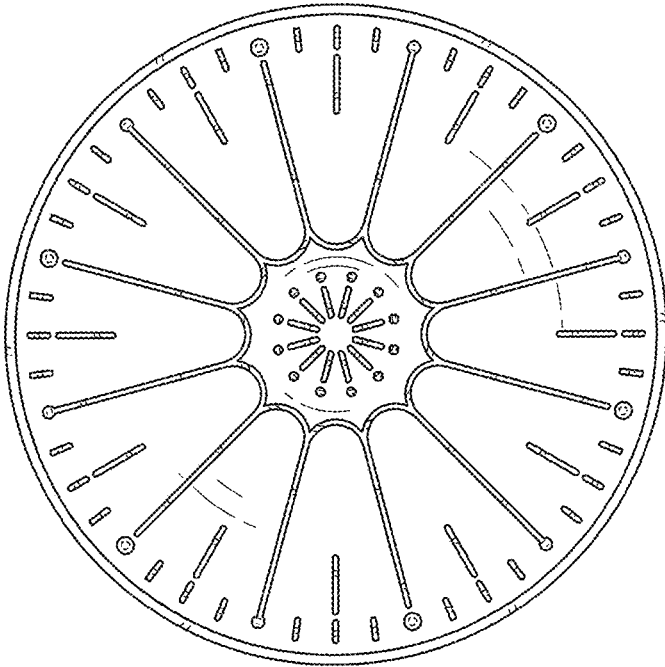


FIG. 7

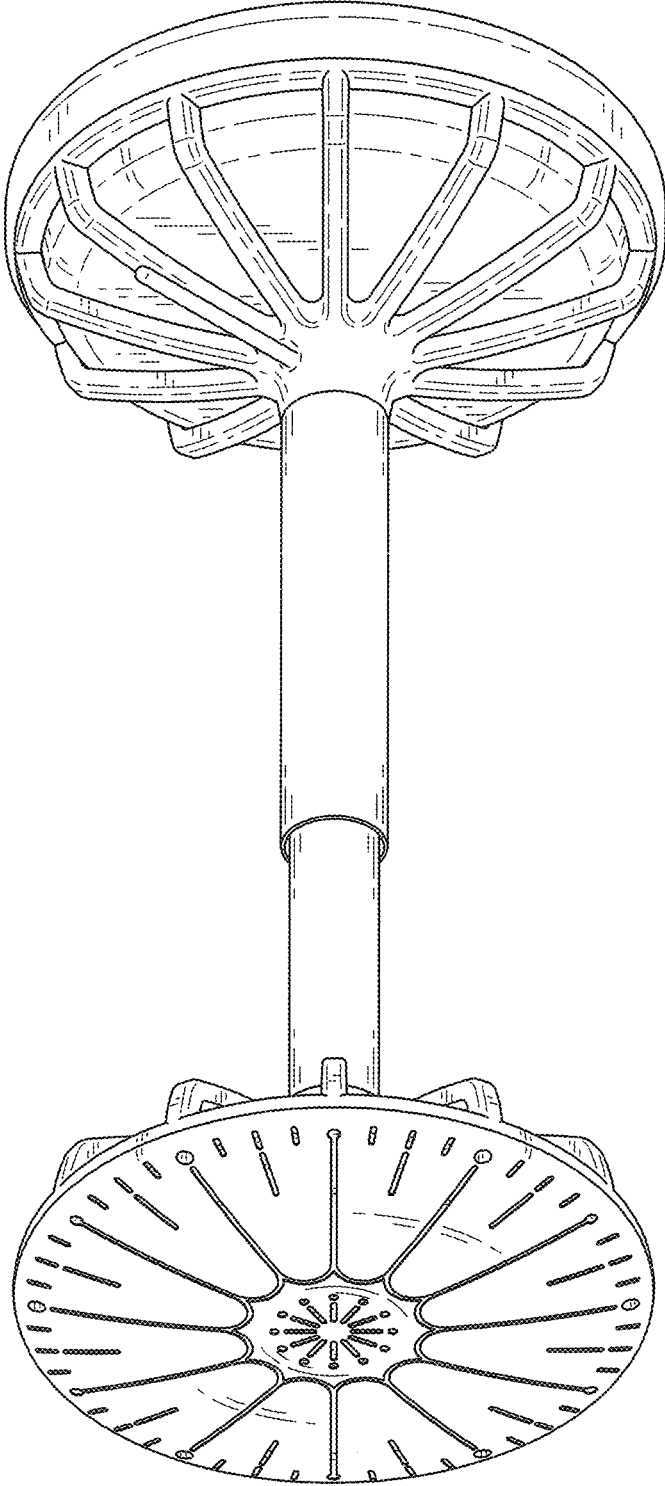


FIG. 8