



US00D798673S

(12) **United States Design Patent**  
**Gilmore**

(10) **Patent No.:** **US D798,673 S**

(45) **Date of Patent:** **\*\* Oct. 3, 2017**

- (54) **LIQUID CONTAINER ADAPTER**
- (71) Applicant: **Kit Consulting LLC**, Fairview, TN (US)
- (72) Inventor: **Scot Gilmore**, Fairview, TN (US)
- (73) Assignee: **Kit Consulting LLC**, Fairview, TN (US)
- (\*\*) Term: **15 Years**

6,543,637 B1 \* 4/2003 Osborn ..... A47G 23/0216  
220/737  
D622,108 S \* 8/2010 McKnight ..... D7/619.1  
8,061,670 B1 \* 11/2011 White ..... B60N 3/10  
248/309.1  
D675,882 S \* 2/2013 Crockett ..... D7/601

\* cited by examiner

*Primary Examiner* — Terry A Wallace

(74) *Attorney, Agent, or Firm* — Patterson Intellectual Property Law, P.C.; Grant M. Ford

(21) Appl. No.: **29/558,667**

(22) Filed: **Mar. 21, 2016**

(51) **LOC (10) Cl.** ..... **07-06**

(52) **U.S. Cl.**  
USPC ..... **D7/624.1**

(58) **Field of Classification Search**  
USPC ..... D7/619.1–625, 605–608; D9/444  
CPC . A47G 23/0216; A47G 23/0258; A47J 41/02;  
A47J 41/0077; B65D 1/0215; B65D  
81/3886; F25D 3/08; F25D 2331/804;  
F17C 13/001; F17C 3/10  
See application file for complete search history.

(56) **References Cited**

**U.S. PATENT DOCUMENTS**

5,088,673 A \* 2/1992 Chandler ..... B60N 3/103  
215/386  
5,285,953 A \* 2/1994 Smith ..... B60N 3/103  
220/737  
D370,392 S \* 6/1996 Flanagan ..... D7/619.1  
D400,763 S \* 11/1998 Taylor ..... D7/619.1

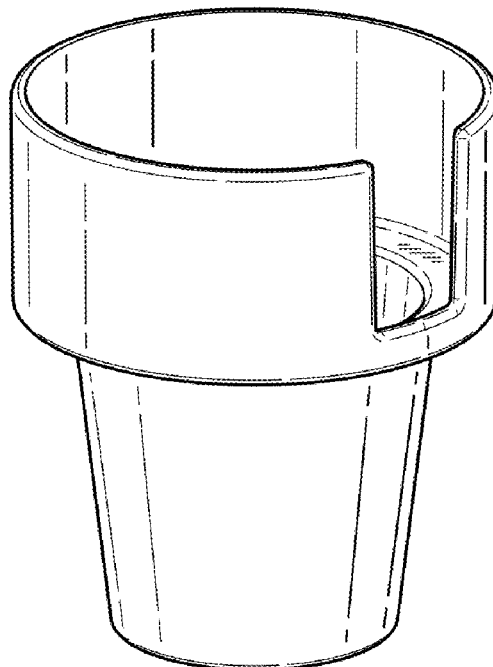
(57) **CLAIM**

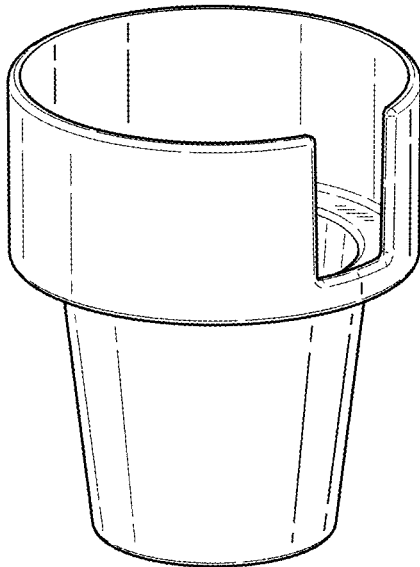
The ornamental design for a liquid container adapter, as shown and described.

**DESCRIPTION**

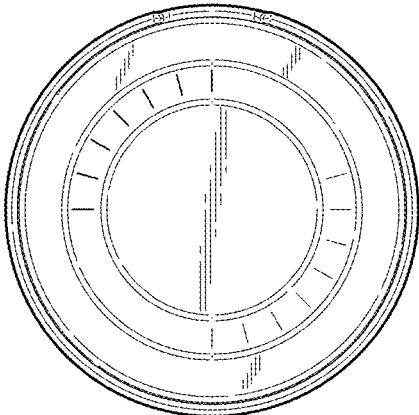
FIG. 1 is a left, top perspective view of an embodiment of my new liquid container adapter.  
FIG. 2 is a rear, top perspective view of the liquid container adapter of FIG. 1.  
FIG. 3 is a top plan view of the liquid container adapter of FIG. 1.  
FIG. 4 is a front elevational view of the liquid container adapter of FIG. 1.  
FIG. 5 is a bottom plan view of the liquid container adapter of FIG. 1.  
FIG. 6 is a rear elevational view of the liquid container adapter of FIG. 1.  
FIG. 7 is a left side elevational view of the liquid container adapter of FIG. 1; and,  
FIG. 8 is a right side elevational view of the liquid container adapter of FIG. 1.

**1 Claim, 2 Drawing Sheets**

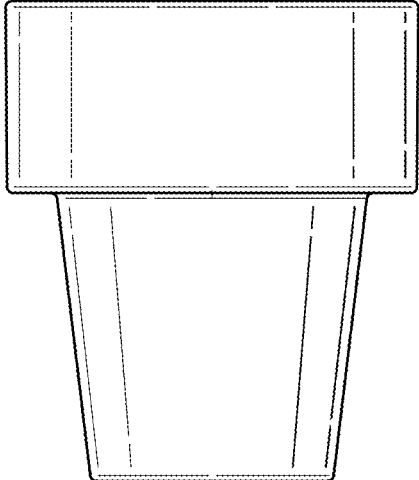




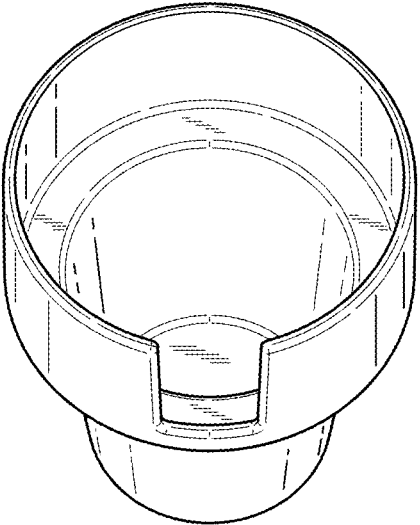
*FIG. 1*



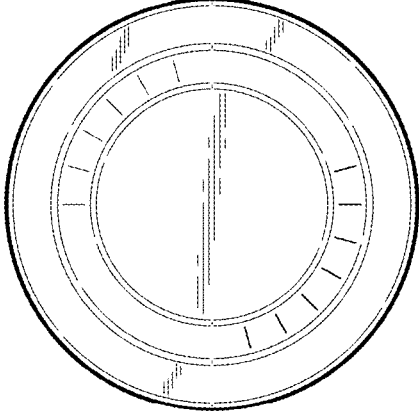
*FIG. 3*



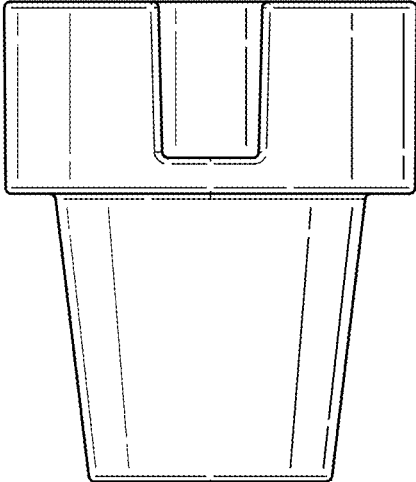
*FIG. 4*



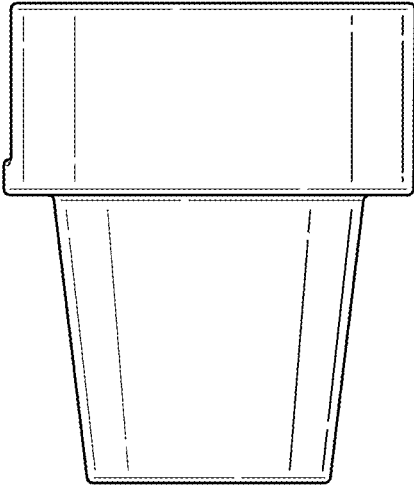
*FIG. 2*



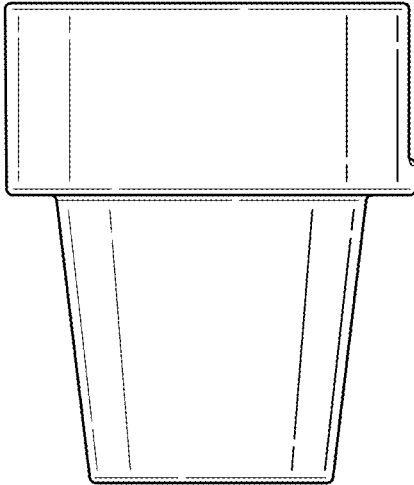
*FIG. 5*



*FIG. 6*



*FIG. 7*



*FIG. 8*