



US00D719675S

(12) **United States Design Patent**
Rostek

(10) **Patent No.:** **US D719,675 S**

(45) **Date of Patent:** **** Dec. 16, 2014**

(54) **UNIVERSAL CABIN**

(71) Applicant: **Alois Rostek**, Cracow (PL)

(72) Inventor: **Alois Rostek**, Cracow (PL)

(73) Assignee: **Rosco Polska SP. Z O.O.**, Kraków (PL)

(**) Term: **14 Years**

(21) Appl. No.: **29/459,471**

(22) Filed: **Jun. 28, 2013**

(30) **Foreign Application Priority Data**

Mar. 8, 2013 (PL) W.121819
Mar. 13, 2013 (EM) 002201798-0001

(51) **LOC (10) Cl.** **25-03**

(52) **U.S. Cl.**
USPC **D25/17; D25/31**

(58) **Field of Classification Search**
USPC D25/1-33; 52/36.1, 79.1-79.5, 169.6,
52/80.1, 80.2, 90.1, 90.2, 91.1, 91.2, 91.3,
52/92.1, 93.1, 93.2; D21/458; D15/1, 5
See application file for complete search history.

(56) **References Cited**

U.S. PATENT DOCUMENTS

D126,708 S * 4/1941 Pierson D25/18
D144,166 S * 3/1946 Du Brie D15/5
D185,669 S * 7/1959 Kaestner D25/18
D276,185 S * 10/1984 Stewart, Jr. D25/31
4,555,877 A * 12/1985 Libra 52/79.4

D384,751 S * 10/1997 Tagg D25/16
D412,625 S * 8/1999 Montague et al. D6/421
6,345,957 B1 * 2/2002 Szpur 416/197 A
6,668,392 B2 * 12/2003 Mason 4/449
D637,555 S * 5/2011 Rodriguez D13/115
D700,684 S * 3/2014 Madenci D23/274

FOREIGN PATENT DOCUMENTS

AU 2006200662 A1 9/2006
BE 2007/0323 3/2009
GR 20080100256 9/2009
WO 2005/071188 A1 8/2005

* cited by examiner

Primary Examiner — Garth Rademaker

Assistant Examiner — Samantha Q Lawrence

(74) *Attorney, Agent, or Firm* — Andrew Malarz

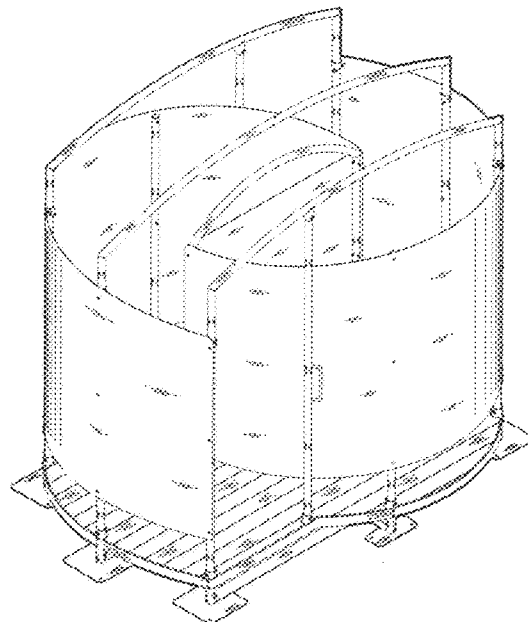
(57) **CLAIM**

The ornamental design for a universal cabin, as shown and described.

DESCRIPTION

FIG. 1 is a top, front, left side perspective view of a universal cabin showing my new design;
FIG. 2 is a bottom, front, left side perspective view thereof;
FIG. 3 is a top, front, right side perspective view thereof.
FIG. 4 is a front elevational view thereof;
FIG. 5 is a left side elevational view thereof;
FIG. 6 is a top plan view thereof; and,
FIG. 7 is a bottom plan view thereof.

1 Claim, 7 Drawing Sheets



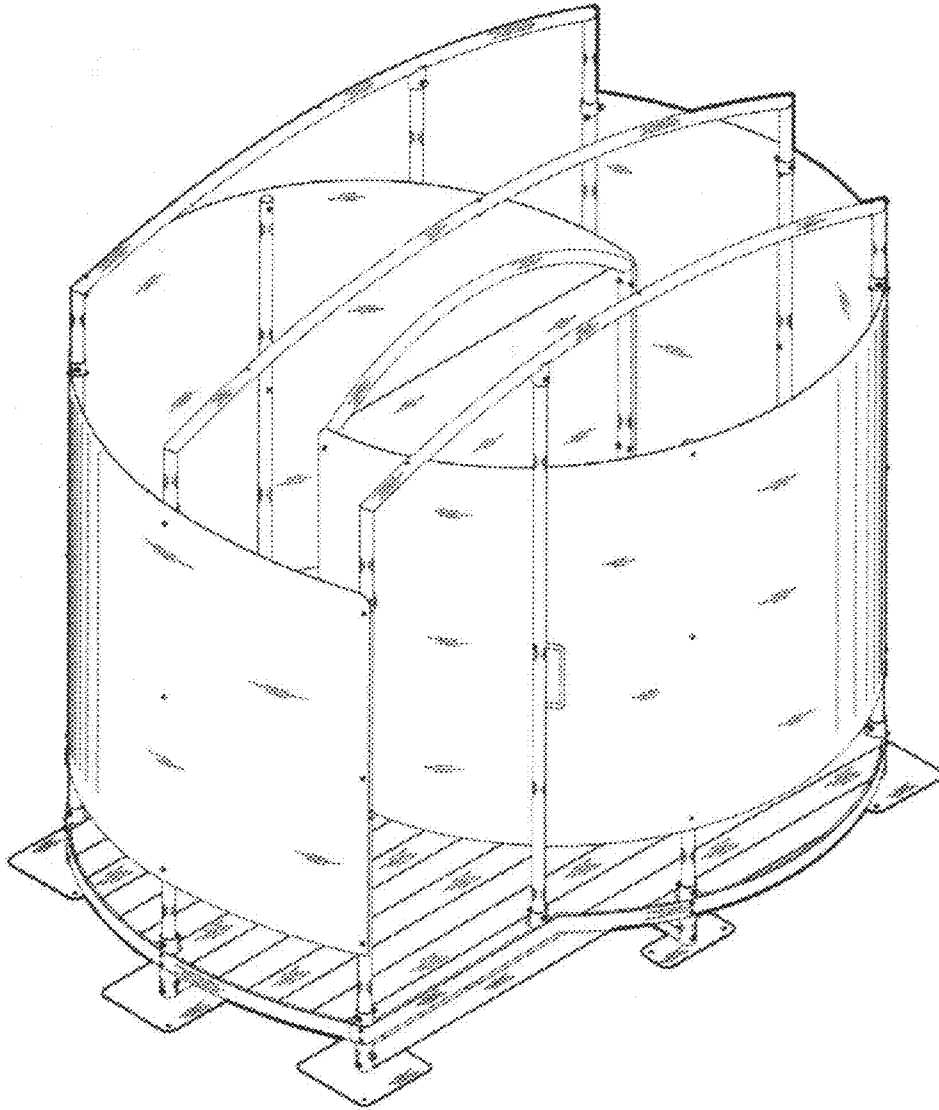


Fig. 1

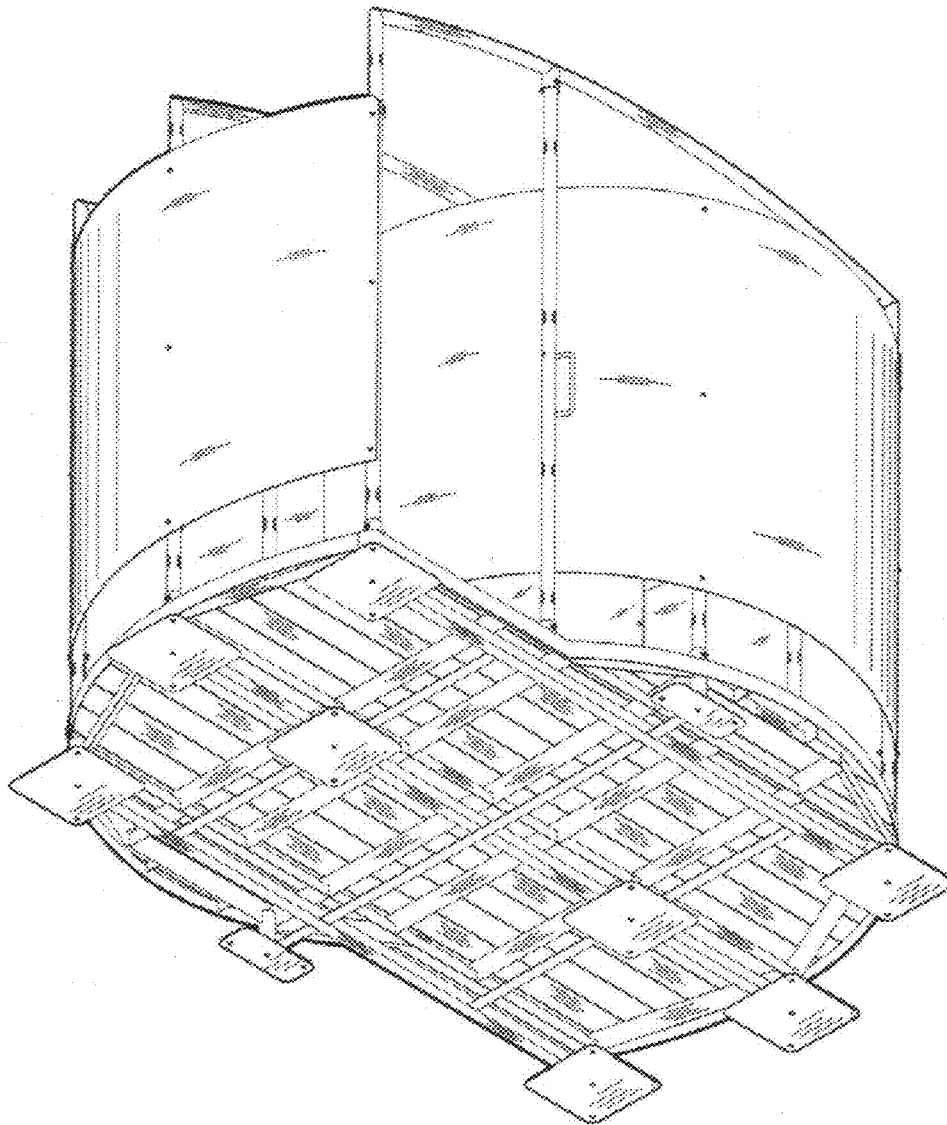


Fig.2

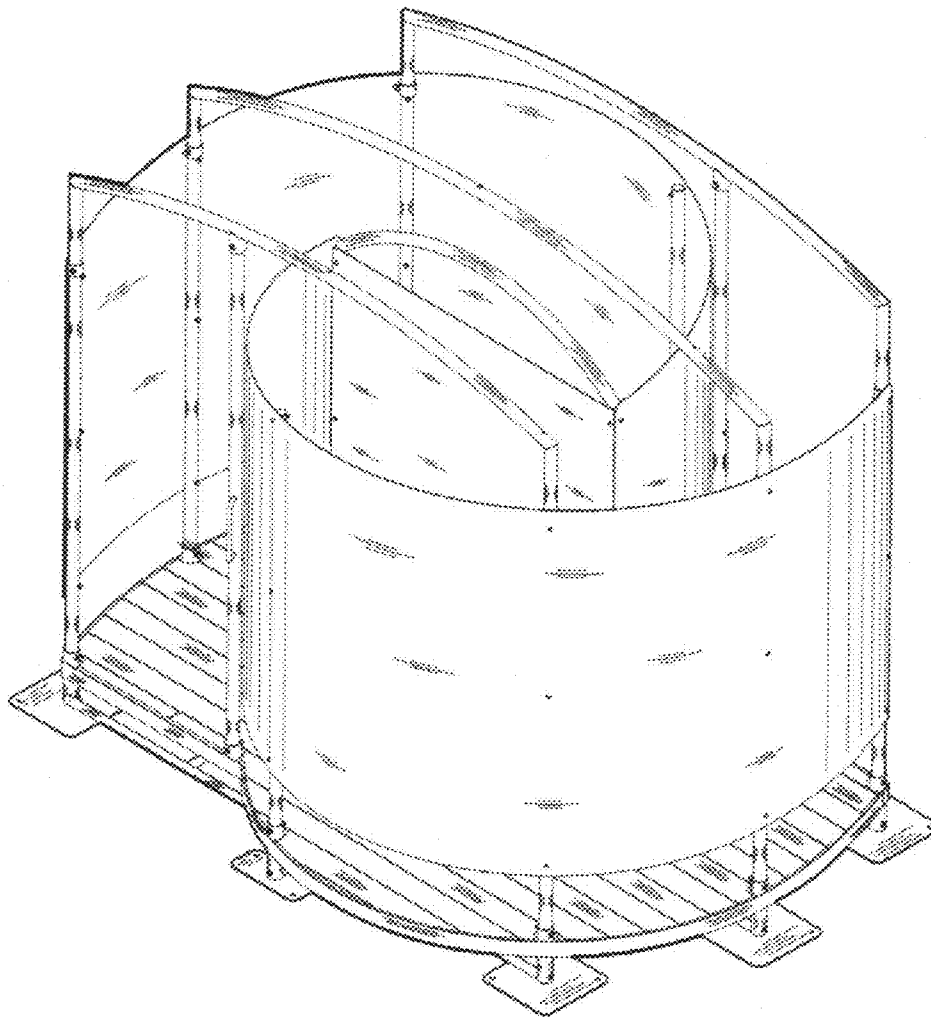


Fig.3

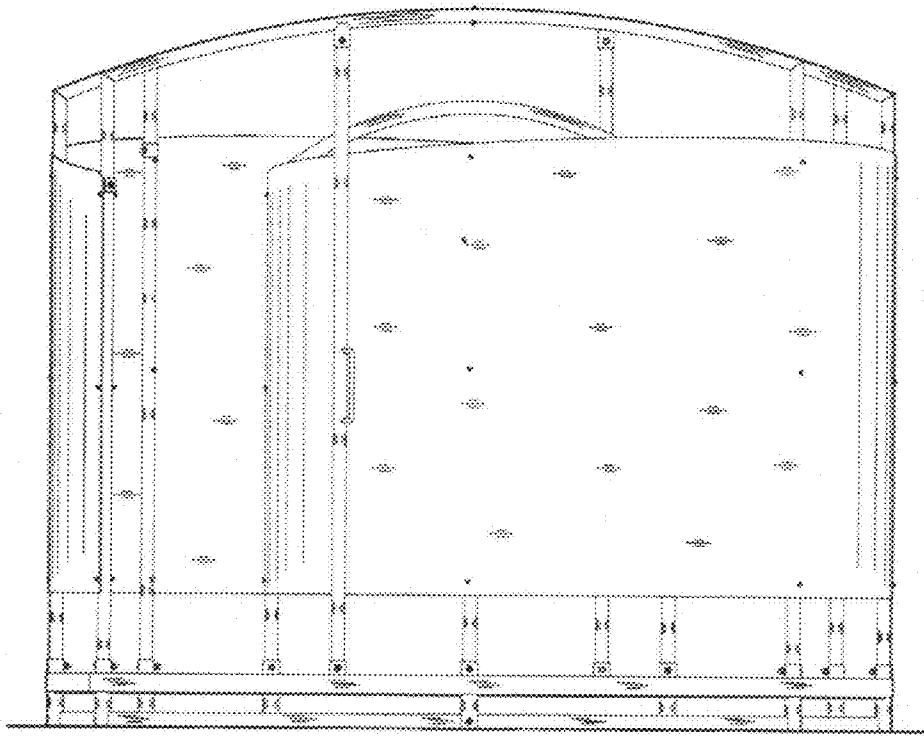


Fig.4

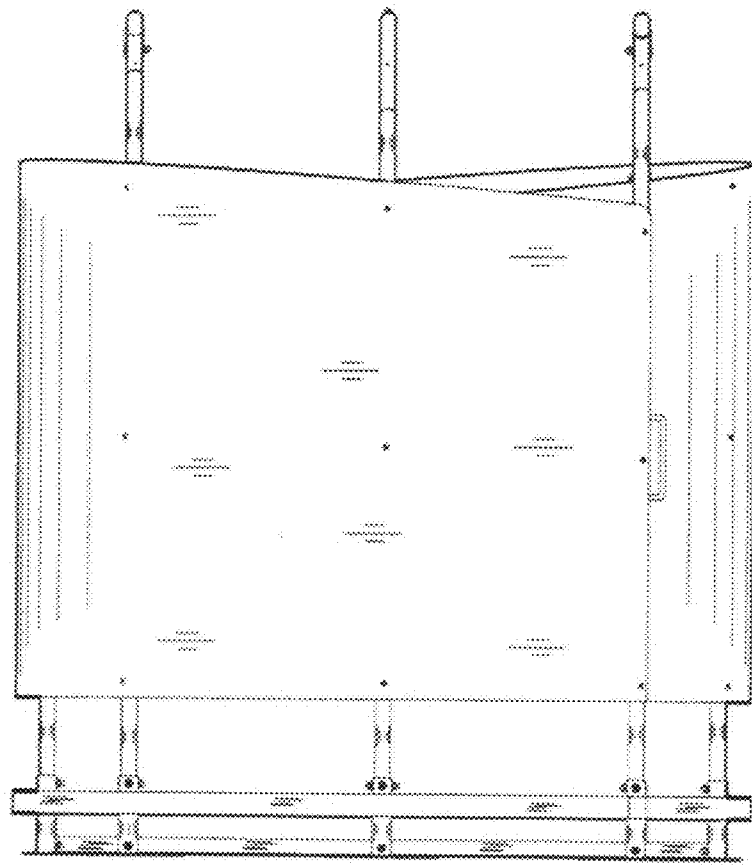


Fig.5

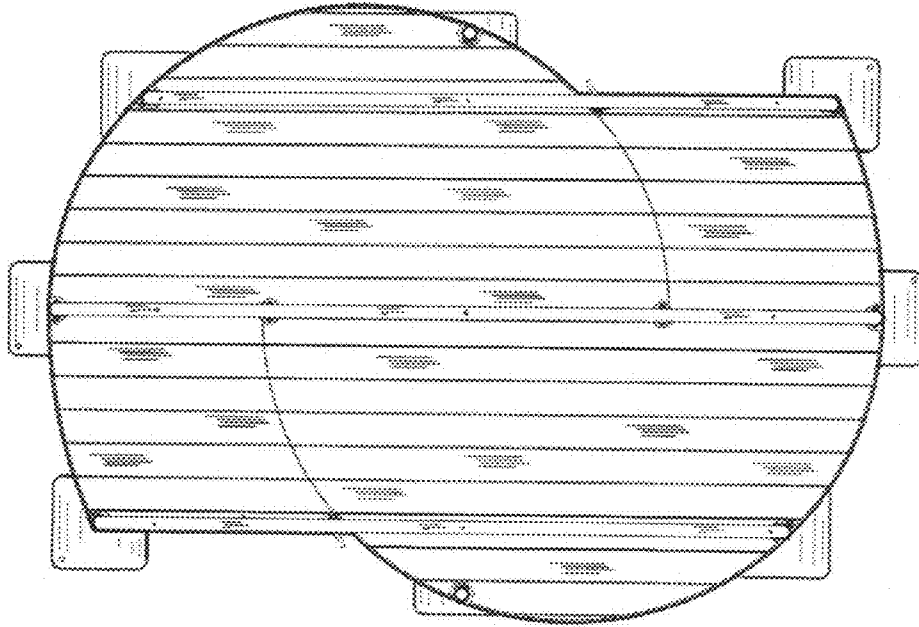


Fig.6

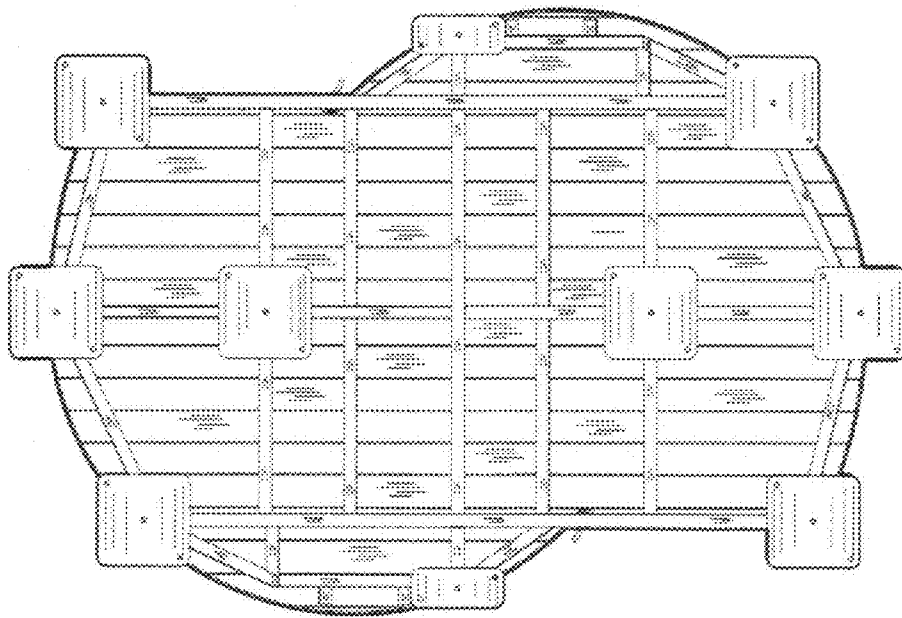


Fig.7