

(19) World Intellectual Property Organization  
International Bureau



(43) International Publication Date  
3 May 2007 (03.05.2007)

PCT

(10) International Publication Number  
**WO 2007/051108 A3**

(51) International Patent Classification:  
A63B 53/00 (2006.01)

21 Al Street, Derry, NH 03038 (US). **WOLBACH, John**  
[US/US]; 427 Militia Drive, Lansdale, PA 19446 (US).

(21) International Application Number:  
PCT/US2006/060193

(74) Agents: **SOLOWAY, Norman, P.** et al.; Hayes Soloway  
P.C., 3450 E. Sunrise Drive, Suite 140, Tucson, AZ 85718  
(US).

(22) International Filing Date: 24 October 2006 (24.10.2006)

(25) Filing Language: English

(81) Designated States (unless otherwise indicated, for every  
kind of national protection available): AE, AG, AL, AM,  
AT, AU, AZ, BA, BB, BG, BR, BW, BY, BZ, CA, CH, CN,  
CO, CR, CU, CZ, DE, DK, DM, DZ, EC, EE, EG, ES, FI,  
GB, GD, GE, GH, GM, GT, HN, HR, HU, ID, IL, IN, IS,  
JP, KE, KG, KM, KN, KP, KR, KZ, LA, LC, LK, LR, LS,  
LT, LU, LV, LY, MA, MD, MG, MK, MN, MW, MX, MY,  
MZ, NA, NG, NI, NO, NZ, OM, PG, PH, PL, PT, RO, RS,  
RU, SC, SD, SE, SG, SK, SL, SM, SV, SY, TJ, TM, TN,  
TR, TT, TZ, UA, UG, US, UZ, VC, VN, ZA, ZM, ZW.

(26) Publication Language: English

(30) Priority Data:  
60/729,842 24 October 2005 (24.10.2005) US  
11/552,018 23 October 2006 (23.10.2006) US

(71) Applicant (for all designated States except US): **AME-  
TEK, INC.** [US/US]; Station Square, Paoli, PA 19301  
(US).

(72) Inventors; and

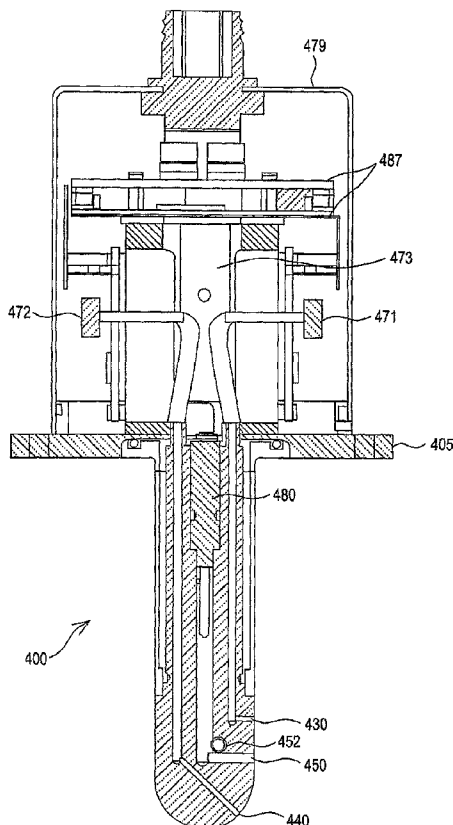
(84) Designated States (unless otherwise indicated, for every  
kind of regional protection available): ARIPO (BW, GH,  
GM, KE, LS, MW, MZ, NA, SD, SL, SZ, TZ, UG, ZM,  
ZW), Eurasian (AM, AZ, BY, KG, KZ, MD, RU, TJ, TM),  
European (AT, BE, BG, CH, CY, CZ, DE, DK, EE, ES, FI,

(75) Inventors/Applicants (for US only): **AGAMI, Mark**  
[US/US]; 23 Lee Street, Reading, MA 01867 (US). **CHIK-  
WENDU, Chiz** [US/US]; 17 Karen Drive, Randolph, MA  
02368 (US). **GLASHEEN, William, Michael** [US/US];

[Continued on next page]

(54) Title: MULTI-FUNCTION AIR DATA SENSOR

(57) Abstract: An air data sensor that determines a body's angle of  
attack, static air pressure, total air pressure, mach number, static air  
temperature and true air speed in one device using pressure and tem-  
perature readings. The air data sensor includes a probe that protrudes  
into an airflow to collect data, a base plate for attaching the probe to a  
body, and an electronics housing including electronics for interpret-  
ing the data collected from the probe.



WO 2007/051108 A3



FR, GB, GR, HU, IE, IS, IT, LT, LU, LV, MC, NL, PL, PT,  
RO, SE, SI, SK, TR), OAPI (BF, BJ, CF, CG, CI, CM, GA,  
GN, GQ, GW, ML, MR, NE, SN, TD, TG).

**(88) Date of publication of the international search report:**  
13 December 2007

**Published:**

— with international search report

*For two-letter codes and other abbreviations, refer to the "Guidance Notes on Codes and Abbreviations" appearing at the beginning of each regular issue of the PCT Gazette.*

INTERNATIONAL SEARCH REPORT

International application No.

PCT/US06/60193

A. CLASSIFICATION OF SUBJECT MATTER

IPC(8) - A63B 53/00 (2007.01)

USPC - 73/170.02

According to International Patent Classification (IPC) or to both national classification and IPC

B. FIELDS SEARCHED

Minimum documentation searched (classification system followed by classification symbols)

IPC(8) - A63B 53/00 (2007.01)

USPC - 73/170.02; 340/960

Documentation searched other than minimum documentation to the extent that such documents are included in the fields searched

Electronic data base consulted during the international search (name of data base and, where practicable, search terms used)

MicroPatent, IP.com, GooglePatents

C. DOCUMENTS CONSIDERED TO BE RELEVANT

Category*	Citation of document, with indication, where appropriate, of the relevant passages	Relevant to claim No.
X --- Y	US 6,672,152 B2 (ROUSE, et al) 06 January 2004 (06.01.2004) entire document	1-3,15 ----- 4-7
Y	US 5,466,067 A (HAGEN et al) 14 November 1995 (14.11.1995) entire document	4-7,11-14
X --- Y	US 6,940,425 B2 (FRANTZ) 06 September 2005 (06.09.2005) entire document	8-10 ----- 11-14

Further documents are listed in the continuation of Box C.

* Special categories of cited documents:	"T" later document published after the international filing date or priority date and not in conflict with the application but cited to understand the principle or theory underlying the invention
"A" document defining the general state of the art which is not considered to be of particular relevance	"X" document of particular relevance; the claimed invention cannot be considered novel or cannot be considered to involve an inventive step when the document is taken alone
"E" earlier application or patent but published on or after the international filing date	"Y" document of particular relevance; the claimed invention cannot be considered to involve an inventive step when the document is combined with one or more other such documents, such combination being obvious to a person skilled in the art
"L" document which may throw doubts on priority claim(s) or which is cited to establish the publication date of another citation or other special reason (as specified)	"&" document member of the same patent family
"O" document referring to an oral disclosure, use, exhibition or other means	
"P" document published prior to the international filing date but later than the priority date claimed	

Date of the actual completion of the international search

07 June 2007

Date of mailing of the international search report

24 SEP 2007

Name and mailing address of the ISA/US

Mail Stop PCT, Attn: ISA/US, Commissioner for Patents

P.O. Box 1450, Alexandria, Virginia 22313-1450

Facsimile No. 571-273-3201

Authorized officer:

Blaine R. Copenheaver

PCT Helpdesk: 571-272-4300

PCT OSP: 571-272-7774