

(19) World Intellectual Property Organization
International Bureau



(43) International Publication Date
24 December 2008 (24.12.2008)

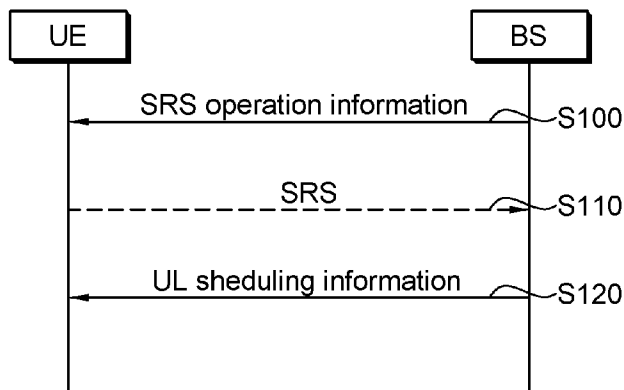
PCT

(10) International Publication Number
WO 2008/156293 A2

- (51) International Patent Classification:
H04B 7/26 (2006.01)
 - (21) International Application Number:
PCT/KR2008/003436
 - (22) International Filing Date: 18 June 2008 (18.06.2008)
 - (25) Filing Language: Korean
 - (26) Publication Language: English
 - (30) Priority Data:
60/944,802 19 June 2007 (19.06.2007) US
10-2008-0057118 18 June 2008 (18.06.2008) KR
 - (71) Applicant (for all designated States except US): **LG ELECTRONICS INC.** [KR/KR]; 20, Yeouido-dong, Yeongdeungpo-gu, Seoul 150-721 (KR).
 - (72) Inventors; and
 - (75) Inventors/Applicants (for US only): **KIM, Hak Seong** [KR/KR]; LG R & D Complex, 533, Hogye 1-dong, Dongan-gu, Anyang-si, Gyeonggi-do 431-749 (KR). **KIM, Bong Hoe** [KR/KR]; LG R & D Complex, 533, Hogye 1-dong, Dongan-gu, Anyang-si, Gyeonggi-do 431-749 (KR). **YUN, Young Woo** [KR/KR]; LG R & D Complex, 533, Hogye 1-dong, Dongan-gu, Anyang-si, Gyeonggi-do 431-749 (KR).
 - (74) Agent: **YANG, Moon-Ock**; S & IP Patent & Law Firm, 10F, Songam Bldg., 642-10, Yeoksam-dong, Gangnam-gu, Seoul 135-080 (KR).
 - (81) Designated States (unless otherwise indicated, for every kind of national protection available): AE, AG, AL, AM, AO, AT, AU, AZ, BA, BB, BG, BH, BR, BW, BY, BZ, CA, CH, CN, CO, CR, CU, CZ, DE, DK, DM, DO, DZ, EC, EE, EG, ES, FI, GB, GD, GE, GH, GM, GT, HN, HR, HU, ID, IL, IN, IS, JP, KE, KG, KM, KN, KP, KZ, LA, LC, LK, LR, LS, LT, LU, LY, MA, MD, ME, MG, MK, MN, MW, MX, MY, MZ, NA, NG, NI, NO, NZ, OM, PG, PH, PL, PT, RO, RS, RU, SC, SD, SE, SG, SK, SL, SM, SV, SY, TJ, TM, TN, TR, TT, TZ, UA, UG, US, UZ, VC, VN, ZA, ZM, ZW.
 - (84) Designated States (unless otherwise indicated, for every kind of regional protection available): ARIPO (BW, GH, GM, KE, LS, MW, MZ, NA, SD, SL, SZ, TZ, UG, ZM, ZW), Eurasian (AM, AZ, BY, KG, KZ, MD, RU, TJ, TM), European (AT, BE, BG, CH, CY, CZ, DE, DK, EE, ES, FI, FR, GB, GR, HR, HU, IE, IS, IT, LT, LU, LV, MC, MT, NL, NO, PL, PT, RO, SE, SI, SK, TR), OAPI (BF, BJ, CF, CG, CI, CM, GA, GN, GQ, GW, ML, MR, NE, SN, TD, TG).
- Published:**
— without international search report and to be republished upon receipt of that report

(54) Title: METHOD OF TRANSMITTING SOUNDING REFERENCE SIGNAL

[Fig. 6]



(57) Abstract: A method of transmitting a sounding reference signal (SRS) includes receiving SRS operation information including a sounding indicator, the sounding indicator indicating whether SRS transmission takes place at a subframe; generating the SRS according to the SRS operation information, and if the sounding indicator indicates occurrence of SRS transmission, transmitting the SRS at the subframe. Multiplexing can be achieved without collision between data and a sounding reference signal and single carrier characteristics required in uplink transmission can be preserved.

WO 2008/156293 A2

Description

METHOD OF TRANSMITTING SOUNDING REFERENCE SIGNAL

Technical Field

- [1] The present invention relates to wireless communications, and more particularly, to a method of transmitting a sounding reference signal.

Background Art

- [2] In next generation wireless communication systems, multimedia data can be transmitted with high quality at a high speed by using limited radio resources. To achieve this, a spectral efficiency has to be maximized since a radio channel has a limited bandwidth. In addition, inter-symbol interference and frequency selective fading, which occur during high-speed transmission, have to be overcome.
- [3] In order to improve performance of the wireless communication system, a closed-loop transmission scheme using a channel condition between a base station (BS) and a user equipment (UE) has been introduced. An adaptive modulation and coding (AMC) scheme is used to improve link performance. In the AMC scheme, the BS controls a modulation and coding scheme (MCS) by using feedback of channel condition information.
- [4] In general, the UE informs the BS of a downlink channel condition in a well-known format, e.g., a channel quality indicator (CQI). The BS can receive the downlink channel condition from all UEs and perform frequency selective scheduling. To perform the frequency selective scheduling in uplink, the BS has to know an uplink channel condition as well.
- [5] A reference signal is used to measure the channel condition. The reference signal is known to both the BS and the UE and is also referred to as a pilot. An uplink reference signal has two types of signals, i.e., a demodulation reference signal and a sounding reference signal (SRS). The demodulation reference signal is used in channel estimation for data demodulation. The SRS is used in user scheduling irrespective of data transmission.
- [6] In addition to the SRS, a variety of data or uplink control information is transmitted on the uplink control channel. Examples of the uplink control signal are an acknowledgment (ACK)/negative-acknowledgement (NACK) signal used to perform hybrid automatic repeat request (HARQ), a channel quality indicator (CQI) indicating downlink channel quality, a precoding matrix index (PMI), a rank indicator (RI), etc.
- [7] Uplink transmission is performed by the UE. Thus, it is important for the UE to have a low peak-to-average power ratio (PAPR) in order to decrease battery consumption.

For this, a modulation scheme having single carrier characteristics can be selected in uplink transmission. The SRS is not related to uplink data or uplink control information. Therefore, when the SRS is transmitted simultaneously with other uplink control channel or uplink data, it is difficult to preserve the single carrier characteristics.

- [8] Accordingly, there is a need to effectively operate signals so that collision does not occur between a sounding signal and data or between the sounding signal and a control signal in order to preserve single carrier characteristics.

Disclosure of Invention

Technical Problem

- [9] The present invention provides a method of transmitting a sounding reference signal used for effective operation of a radio resource.

Technical Solution

- [10] According to an aspect of the present invention, a method of transmitting a sounding reference signal (SRS) is provided. The method includes receiving SRS operation information including a sounding indicator, the sounding indicator indicating whether SRS transmission takes place at a subframe; generating the SRS according to the SRS operation information, and if the sounding indicator indicates occurrence of SRS transmission, transmitting the SRS at the subframe.
- [11] According to another aspect of the present invention, a method of operating an SRS is provided. The method includes transmitting, to a user equipment, SRS operation information including a sounding indicator and a simultaneous transmission indicator, the sounding indicator indicating whether SRS transmission takes place at a subframe, the simultaneous transmission indicator indicating whether a control signal and the SRS are simultaneously transmitted; and receiving the SRS or the control signal at the subframe.

[12]

Advantageous Effects

- [13] According to the present invention, multiplexing can be achieved without collision between data and a sounding reference signal by using a sounding indicator. In addition, multiplexing can be achieved without collision between a control signal and the sounding reference signal by using a simultaneous transmission indicator. Therefore, single carrier characteristics required in uplink transmission can be preserved.

Brief Description of the Drawings

- [14] FIG. 1 is a block diagram of a transmitter according to an embodiment of the present invention.

- [15] FIG. 2 is a block diagram of a signal generator according to an SC-FDMA scheme.
- [16] FIG. 3 shows a structure of a radio frame.
- [17] FIG. 4 shows a structure of an uplink subframe.
- [18] FIG. 5 shows a structure of an uplink radio frame for transmitting a sounding reference signal (SRS) according to an embodiment of the present invention.
- [19] FIG. 6 is a flow diagram showing a method of transmitting a sounding reference signal (SRS) according to an embodiment of the present invention.
- [20] FIG. 7 shows a structure of an ACK/NACK channel in an uplink subframe.
- [21] FIG. 8 shows an example of simultaneous transmission of an SRS and ACK/NACK signal on an uplink subframe.
- [22] FIG. 9 is a flow chart showing a method of transmitting an SRS according to an embodiment of the present invention.

Mode for the Invention

- [23] In the following descriptions, a downlink represents a communication link from a base station (BS) to a user equipment (UE), and an uplink represents a communication link from the UE to the BS. In downlink, a transmitter may be a part of the BS, and a receiver may be a part of the UE. In uplink, the transmitter may be a part of the UE, and the receiver may be a part of the BS. The UE may be fixed or mobile, and may be referred to as another terminology, such as a mobile station (MS), a user terminal (UT), a subscriber station (SS), a wireless device, etc. The BS is generally a fixed station that communicates with the UE and may be referred to as another terminology, such as a node-B, a base transceiver system (BTS), an access point, etc. There are one or more cells within the coverage of the BS.
- [24] FIG. 1 is a block diagram of a transmitter according to an embodiment of the present invention.
- [25] Referring to FIG. 1, a transmitter 100 includes a sounding reference signal generator 110, a control channel generator 120, a data processor 130, a physical resource mapper 140, and a signal generator 150.
- [26] The sounding reference signal generator 110 generates a sounding reference signal. A reference signal has two types of signals, i.e., a demodulation reference signal and the sounding reference signal. The demodulation reference signal is used in channel estimation for data demodulation. The sounding reference signal is used in uplink scheduling. A reference signal sequence used by the demodulation reference signal may be the same as that used by the sounding reference signal.
- [27] The control channel generator 120 generates a physical uplink control channel (PUCCH) for carrying uplink control information.
- [28] The data processor 130 processes user data and thus generates complex-valued

symbols. The physical resource mapper 140 maps the sounding reference signal, the control channel, and/or the complex-valued symbols for the user data onto physical resources. The physical resources may be resource elements or subcarriers.

[29] The signal generator 150 generates time-domain signals to be transmitted through a transmit antenna 190. The signal generator 150 may generate the time-domain signals by using a single carrier-frequency division multiple access (SC-FDMA) scheme. The time-domain signal output from the signal generator 150 is referred to as an SC-FDMA symbol or an orthogonal frequency division multiple access (OFDMA) symbol.

[30] It will be assumed hereinafter that the signal generator 150 uses the SC-FDMA scheme. However, this is for exemplary purposes only, and thus the present invention may also apply to other multiple-access schemes. For example, the present invention may apply to various multiple-access schemes such as OFDMA, code division multiple access (CDMA), time division multiple access (TDMA), and frequency division multiple access (FDMA).

[31] FIG. 2 is a block diagram of a signal generator according to an SC-FDMA scheme.

[32] Referring to FIG. 2, a signal generator 200 includes a discrete Fourier transform (DFT) unit 220 that performs DFT, a subcarrier mapper 230, and an inverse fast Fourier transform (IFFT) unit 240 that performs IFFT. The DFT unit 220 performs DFT on input data and thus outputs frequency-domain symbols. The subcarrier mapper 230 maps the frequency-domain symbols onto respective subcarriers. The IFFT unit 230 performs IFFT on input symbols and thus outputs time-domain signals.

[33] FIG. 3 shows a structure of a radio frame.

[34] Referring to FIG. 3, the radio frame includes 10 subframes. One subframe includes two slots. A time for transmitting one subframe is defined as a transmission time interval (TTI). For example, one subframe may have a length of 1ms, and one slot may have a length of 0.5ms. One slot includes a plurality of SC-FDMA symbols in a time domain and a plurality of resource blocks in a frequency domain.

[35] The radio frame of FIG. 3 is shown for exemplary purposes only. Thus, the number of subframes included in the radio frame or the number of slots included in the subframe or the number of SC-FDMA symbols included in the slot may change variously.

[36] FIG. 4 shows a structure of an uplink subframe.

[37] Referring to FIG. 4, the uplink subframe is divided into two regions. One region is assigned to a physical uplink control channel (PUCCH), which is used for carrying uplink control information. The other region is assigned to a physical uplink shared channel (PUSCH), which is used for carrying user data. A middle portion of frequency domain in the subframe is assigned to the PUSCH. Both edges of the data region are assigned to the PUCCH. One UE does not simultaneously transmit the PUCCH and the

PUSCH.

- [38] Example of the uplink control information transmitted on the PUCCH are an acknowledgment (ACK)/negative-acknowledgement (NACK) signal used to perform hybrid automatic repeat request (HARQ), a channel quality indicator (CQI) indicating a downlink channel condition, a scheduling request signal used to request uplink radio resource allocation, etc.
- [39] The PUCCH for one UE uses one resource block which occupies a different frequency band in each of two slots in the subframe. The two slots use different resource blocks (or subcarriers) in the subframe. This is said that the two resource blocks assigned to the PUCCH are frequency-hopped in a slot boundary. It is assumed herein that the PUCCH is assigned to the subframe for 4 UEs respectively in association with a PUCCH ($m=0$), a PUCCH ($m=1$), a PUCCH ($m=2$), and a PUCCH ($m=3$).
- [40] The PUCCH can support multiple formats. That is, according to a modulation scheme, the number of bits for the uplink control information can be different. For example, when binary phase shift keying (BPSK) is used, 1-bit uplink control information can be transmitted on the PUCCH, and when Quadrature phase shift keying (QPSK) is used, 2-bit uplink control information can be transmitted on the PUCCH.
- [41] FIG. 5 shows a structure of an uplink radio frame for transmitting a sounding reference signal (SRS) according to an embodiment of the present invention.
- [42] Referring to FIG. 5, the uplink subframe includes 2 slots on a time axis. Each slot includes 7 SC-FDMA symbols. The uplink subframe includes a PUCCH and a PUSCH on a frequency axis. The PUCCH is punctured in an SC-FDMA symbol duration in which the SRS is transmitted. In this case, a UE transmits data by using 13 SC-FDMA symbols, and transmits the SRS by performing a precoding process (e.g., rate matching) on the remaining one SC-FDMA symbol.
- [43] It will be referred hereinafter that the SC-FDMA symbol in which the SRS is transmitted is referred to as a sounding symbol. Although a 14th SC-FDMA symbol is determined as the sounding symbol in FIG. 5, this is for exemplary purposes only. Thus, the position and the number of the sounding symbols may vary. The SRS is not transmitted on the PUCCH but is transmitted on the PUSCH. The SRS may be transmitted through all or some parts of the PUSCH.
- [44] The position of the sounding symbol may be information well-known by a predetermined protocol between a UE and a BS or may be information reported by the BS to the UE when necessary.
- [45] One SC-FDMA symbol corresponds to a plurality of subcarriers. Thus, each UE can transmit the SRS by using different subcarriers. This is called frequency division multiplexing. For example, a first UE may transmit an SRS by using a subcarrier with an

odd index, and a second UE may transmit an SRS by using a subcarrier with an even index. Further, each UE may transmit an SRS by using different orthogonal codes. This is called code division multiplexing. Furthermore, even if the sounding symbol is predetermined, each UE may transmit an SRS in a different subframe. This is called time division multiplexing. For effective operation of the SRS, the BS may negotiate in advance with the UE about an operation and transmission of the SRS on the basis of several parameters. The parameters are referred to as SRS operation information. The SRS operation information may be included in uplink scheduling information when transmitted. Table 1 below shows an example of the SRS operation information.

[46] Table 1

[Table 1]

[Table]

Parameter	Physical Channel	Rate of Change	Contents
Full SRS Bandwidth	Broadcast	Low	indicates the maximum SRS bandwidth that UE covers for sending SRS in the cell
SRS Bandwidth	Dedicated		indicates a bandwidth on which UE transmits SRS at every SRS transmission period.
Frequency-Domain position	Dedicated		indicates RB offset position for hopping in transmitting SRS
Frequency Hopping Information	Dedicated		indicates pattern of hopping
Duration	Dedicated		indicates time during which SRS transmission continues
Period	Dedicated		indicates time period at which SRS transmission takes place
Subframe Offset	Dedicated		indicates a position of a subframe in which UE transmits SRS
Transmission Comb	Dedicated		indicates which set of subcarrier is used for SRS transmission
Cyclic Shift	Dedicated		indicates cyclic shift to be used for SRS transmission
SRS indicator	Broadcast or Dedicated	Low	indicates which subframe is used for SRS transmission and which subframe is not
Simultaneous Transmission Indicator	Broadcast or Dedicated	Low	indicates whether simultaneous transmission of ACK/NACK signal and SRS takes place. In case of non-simultaneous transmission, ACK/NACK signal is prior to SRS

- [47] Referring to Table 1, a full SRS bandwidth indicates a whole frequency bandwidth on which an SRS is transmitted. An SRS bandwidth indicates a frequency bandwidth on which an SRS is transmitted at every transmission period of the SRS. The SRS bandwidth may be 2-bit information. The SRS bandwidth is less than or equal to the full SRS bandwidth. Therefore, in order to cover the full SRS bandwidth, the UE transmits an SRS with the SRS bandwidth at least one or more times.
- [48] The SRS can be classified into a narrowband SRS and a wideband SRS according to a size of a resource block. For transmission of the narrow SRS, resource blocks having a size of 2, 4, and 6 may be used except for frequency bands used for an uplink control channel. For transmission of the wideband SRS, a size of a resource block in use may correspond to the full SRS bandwidth.
- [49] A duration indicates a time (or a subframe length) during which SRS transmission continues. The duration of the SRS can be determined in various ways. For example, the duration may be determined so that an SRS can be sent in each transmission only in a predetermined number of subframes. This is a sort of 'oneshot' transmission concept. For another example, a start time (or a start subframe) at which SRS transmission takes place is informed, and thereafter transmission is continued with a specific period.
- [50] A period denotes a time period at which SRS transmission takes place. In order to reduce an overhead generated when the period is transmitted, a predetermined number of period sets may be considered as the period. For example, when one value is selected as the period from a set {2, 5, 10, 20, 40, 80, 160, ...}, signaling is possible with 3-bit information. Of course, the size and values of the period set can vary according to a possible number of bits with which signaling can be achieved without generating the overhead.
- [51] According to a system condition, there may be a case where the UE cannot transmit an SRS at a predetermined period. This problem can be solved by dynamically changing the period. For example, the period may change from 10ms to 20ms. The period may be changed by either the UE or the BS.
- [52] A transmission comb indicates an index type of a subcarrier to be used for SRS transmission among a plurality of subcarriers. The transmission comb may be 1-bit information. The 1-bit information can indicate an odd-indexed subcarrier or an even-indexed subcarrier.
- [53] A cyclic shift indicates a cyclic shift to be used for SRS transmission. A plurality of UEs may be multiplexed in a code division manner in the same-sized SRS bandwidth to transmit an SRS. A base sequence used in SRS transmission may be shifted by a predetermined cyclic shift, so that orthogonality can be guaranteed between SRSs. The number of shifted codes may vary according to a channel condition. In general, the number of shifted codes is 6, and in this case, 3 bits are required to specify a certain

cyclic shift.

- [54] A sounding indicator is control information indicating whether SRS transmission takes place or not in a specific subframe. For example, it is assumed that a first UE is scheduled to transmit an SRS at a first subframe, and a second UE does not have to transmit an SRS at the first subframe. In this case, if the second UE transmits data by using an SC-FDMA symbol, not knowing that the first UE transmits the SRS using the SC-FDMA symbol, then the SRS of the first UE collides with the data of the second UE, which may adversely affect multiplexing.
- [55] To solve this problem, the BS may inform all UEs of the fact that SRS transmission takes place at the specific subframe by using the sounding indicator. To prevent collision, instead of transmitting data on the SC-FDMA symbol on which the SRS is transmitted, each UE may transmit data by using remaining SC-FDMAs other than the SC-FDMA symbol on which the SRS is transmitted.
- [56] A simultaneous transmission indicator indicates whether transmission of an ACK/NACK signal and an SRS takes place simultaneously. A subframe that supports simultaneous transmission of the ACK/NACK signal and the SRS may have a different structure from a subframe that does not support the simultaneous transmission thereof. The subframe structure will be described below.
- [57] FIG. 6 is a flow diagram showing a method of transmitting a sounding reference signal (SRS) according to an embodiment of the present invention.
- [58] Referring to FIG. 6, a UE receives SRS operation information from a BS (step S100). The SRS operation information includes a sounding indicator. The sounding indicator may be 1-bit information indicating whether SRS transmission takes place in a specific frame. For example, when the sounding indicator indicates 'ON', it indicates that at least one UE transmits an SRS in the specific subframe. On the contrary, when the sounding indicator indicates 'OFF', it indicates no UE transmits the SRS in the specific subframe. The sounding indicator is provided for exemplary purposes only. Thus, the sounding indicator may include all information for solving multiplexing problems. The multiplexing problems occur since a position on a time/frequency domain, a transmission period, and the like are different from one UE to another when the SRS is transmitted.
- [59] As such, when the SRS is transmitted on a specific SC-FDMA symbol, the BS can report this to the UE by using the sounding indicator, so that no UE transmits data on the specific SC-FDMA symbol.
- [60] For a special case where an SRS is not transmitted, a SC-FDMA symbol which is originally reserved or assigned for transmission of the SRS may be used for transmission of uplink data. In this case, the SC-FDMA symbol reserved for transmission of the SRS needs to be assigned for data transmission by the BS.

- [61] From an aspect of SRS transmission, the sounding indicator may be transmitted on the PDCCH as a signal of a physical layer or may be transmitted on a broadcasting channel (i.e., broadcast channel (BCH) or on a downlink-shared channel (DL-SCH)) as a message of an upper layer so that all UEs can receive the message. The upper layer may be a medium access control (MAC) layer or a radio resource control (RRC) layer. The BCH may be a primary BCH (P-BCH) or a dynamic BCH (D-BCH). The D-BCH is used to map system information block (SIB) on a physical downlink shared channel (PDSCH). The sounding indicator may be independently transmitted to each UE by using a dedicated channel.
- [62] To perform the same function as the sounding indicator, the message of the upper layer includes all data types or control signal formats that can be configured in the upper layer.
- [63] If the sounding indicator indicates 'ON', the UE transmits an SRS by using a sounding symbol determined when the SRS is transmitted at a subframe. If the sounding indicator indicates 'OFF', the UE does not transmit the SRS on the sounding symbol (step S110).
- [64] When the BS receives the SRS from the UE, the BS estimates an uplink channel from the SRS, and performs uplink scheduling for uplink transmission on the basis of the estimated uplink channel. The BS transmits new uplink scheduling information based on the SRS to the UE (step S120). The uplink scheduling information is also referred to as an uplink grant and is transmitted through the PDCCH. The uplink scheduling information includes resource assignment (i.e., information on resources assigned to the UE), a modulation and coding scheme (MCS), a transmit power control (TPC), the SRS operation information, etc.
- [65] The sounding indicator has been described above. Now, the simultaneous transmission indicator (STI) will be described. As described above, the STI is control information indicating whether simultaneous transmission of an ACK/NACK signal and an SRS is possible at a specific subframe.
- [66] It is difficult to simultaneously transmit a control signal and an SRS on an uplink channel in order to preserve single carrier characteristics in SC-FDMA. Various methods can be used to preserve the single carrier characteristics. For example, an SRS and a control signal can be multiplexed in such a manner that the SRS is transmitted on a specific SC-FDMA symbol within a subframe designated for SRS transmission, and the control signal is transmitted on the remaining symbols other than the specific SC-FDMA symbol. In this case, the number of SC-FDMA symbols used for control signal transmission is reduced. A control channel format in which the number of SC-FDMA symbols is reduced in a PUCCH is referred to as a shortened PUCCH format.
- [67] For another example, the single carrier characteristics can be preserved in such as

manner that one of the control signal and the SRS is transmitted and transmission of the remaining one is suspended. Whether to transmit the control signal or the SRS can be determined by considering an influence on a system. In a case where only the control signal is transmitted while suspending SRS transmission, a control channel format is referred to as a normal PUCCH format.

[68] The STI may be information indicating which format is used between the shortened PUCCH format and the normal PUCCH format. The STI may be transmitted to all UEs through the broadcasting channel or may be transmitted to each UE through an individual dedicated channel. The STI may be 1-bit information. That is, by using 1-bit information, it can be indicated which format is used between the shortened PUCCH format and the normal PUCCH format. If the STI indicates the shortened PUCCH format, the UE can simultaneously transmit the SRS and the ACK/NACK signal by using the shortened PUCCH format. Otherwise, if the STI indicates the normal PUCCH format, the UE can transmit either the SRS or the ACK/NACK signal by using the normal PUCCH format.

[69] FIG. 7 shows a structure of an ACK/NACK channel in an uplink subframe. The ACK/NACK channel is a control channel used when a simultaneous transmission indicator (STI) indicates a normal PUCCH format. It is assumed herein that an ACK/NACK signal is transmitted while transmission of a sounding reference signal (SRS) is suspended. The ACK/NACK channel is a control channel for transmitting the ACK/NACK signal on a PUCCH. For clear explanation, it will be assumed that one slot includes 7 SC-FDMA symbols and one subframe includes two slots. When a control signal is transmitted in a pre-allocated band, frequency-domain spreading and time-domain spreading are simultaneously used to increase the number of multiplexible UEs or the number of control channels.

[70] Referring to FIG. 7, among the 7 SC-FDMA symbols included in one slot, a demodulation reference signal (indicated by RS in the figure) is carried on 3 SC-FDMA symbols and the ACK/NACK signal is carried on the remaining 4 SC-FDMA symbols. The demodulation reference signal is carried on 3 contiguous SC-FDMA symbols. The position and the number of symbols used in the demodulation reference signal may vary. Accordingly, the position and the number of symbols used in the ACK/NACK signal may also vary. The ACK/NACK signal is a transmission and/or reception confirm signal for downlink data.

[71] A frequency-domain spreading code is used to spread the ACK/NACK signal in the frequency domain. A first orthogonal code is used as the frequency-domain spreading code. A Zadoff-Chu (ZC) sequence is one of constant amplitude zero auto-correlation (CAZAC) sequences and is used as the first orthogonal code. However, this is for exemplary purposes only, and thus other sequences having excellent correlation char-

acteristics can also be used. In particular, each control channel can be identified by using a ZC sequence having a different cyclic shift value.

[72] FIG. 8 shows an example of simultaneous transmission of an SRS and ACK/NACK signal on an uplink subframe. This is a case where an STI indicates a shortened PUCCH format.

[73] Referring to FIG. 8, among 7 SC-FDMA symbols of a 1st slot, a demodulation reference signal (indicated by RS in the figure) is carried on 3 SC-FDMA symbols and an ACK/NACK signal is carried on the remaining 4 SC-FDMA symbols. Meanwhile, among 7 SC-FDMA symbols of a 2nd slot, a demodulation reference signal is carried on three SC-FDMA symbols, an ACK/NACK signal is carried on 3 SC-FDMA symbols, and remaining one SC-FDMA symbol is punctured.

[74] FIG. 9 is a flow chart showing a method of transmitting an SRS according to an embodiment of the present invention.

[75] Referring to FIG. 9, a UE receives a simultaneous transmission indicator (STI) from a BS (step S200). The STI may be included in uplink scheduling information when transmitted. Further, the STI may be transmitted through a physical channel (i.e., a P-BCH or a D-BCH) or may be transmitted by signaling of an upper layer (i.e., a MAC layer or an RRC layer).

[76] The UE determines whether the STI indicates a shortened PUCCH format (step S210). If the STI indicates the shortened PUCCH format, the UE transmits an SRS on a sounding symbol, and transmits an ACK/NACK signal on the remaining symbols other than the sounding symbol (step S220). Otherwise, if the STI indicates a normal PUCCH format, the UE suspends transmission of the sounding symbol and transmits only the ACK/NACK signal (step S230).

[77] The present invention can be implemented with hardware, software, or combination thereof. In hardware implementation, the present invention can be implemented with one of an application specific integrated circuit (ASIC), a digital signal processor (DSP), a programmable logic device (PLD), a field programmable gate array (FPGA), a processor, a controller, a microprocessor, other electronic units, and combination thereof, which are designed to perform the aforementioned functions. In software implementation, the present invention can be implemented with a module for performing the aforementioned functions. Software is storable in a memory unit and executed by the processor. Various means widely known to those skilled in the art can be used as the memory unit or the processor.

[78] While the present invention has been particularly shown and described with reference to exemplary embodiments thereof, it will be understood by those skilled in the art that various changes in form and details may be made therein without departing from the spirit and scope of the invention as defined by the appended claims. The exemplary

embodiments should be considered in descriptive sense only and not for purposes of limitation. Therefore, the scope of the invention is defined not by the detailed description of the invention but by the appended claims, and all differences within the scope will be construed as being included in the present invention.

[79]

[80]

[81]

[82]

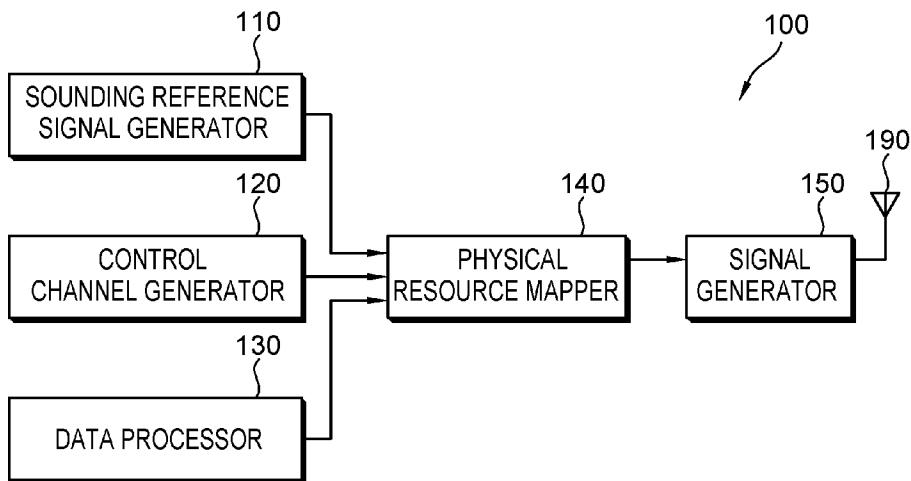
Claims

- [1] A method of transmitting a sounding reference signal (SRS), the method comprising:
receiving SRS operation information comprising a sounding indicator, the sounding indicator indicating whether SRS transmission takes place at a subframe;
generating the SRS according to the SRS operation information, and
if the sounding indicator indicates occurrence of the SRS transmission, transmitting the SRS by using one or more single carrier-frequency division multiple access (SC-FDMA) symbols at the subframe.
- [2] The method of claim 1, wherein data is not carried on any one of subcarriers corresponding to the one or more SC-FDMA symbols.
- [3] The method of claim 1, further comprising :
if the sounding indicator does not indicate occurrence of the SRS transmission, transmitting data by using a resource allocated for SRS transmission within the subframe.
- [4] The method of claim 1, wherein the SRS operation information further comprises a full frequency bandwidth allocated for SRS transmission, an SRS period, and an SRS duration.
- [5] The method of claim 1, wherein the SRS operation information further comprises a simultaneous transmission indicator indicating whether a control signal and the SRS are simultaneously transmitted.
- [6] A method of operating a sounding reference signal (SRS), the method comprising:
transmitting, to a user equipment, SRS operation information comprising a sounding indicator and a simultaneous transmission indicator, the sounding indicator indicating whether SRS transmission takes place at a subframe, the simultaneous transmission indicator indicating whether a control signal and the SRS are simultaneously transmitted; and
receiving the SRS or the control signal at the subframe.
- [7] The method of claim 6, wherein the SRS operation information is transmitted on a physical downlink control channel (PDCCH).
- [8] The method of claim 6, wherein the SRS operation information is transmitted on a broadcasting channel.
- [9] The method of claim 6, wherein the subframe comprises a plurality of SC-FDMA symbols.
- [10] The method of claim 6, further comprising :

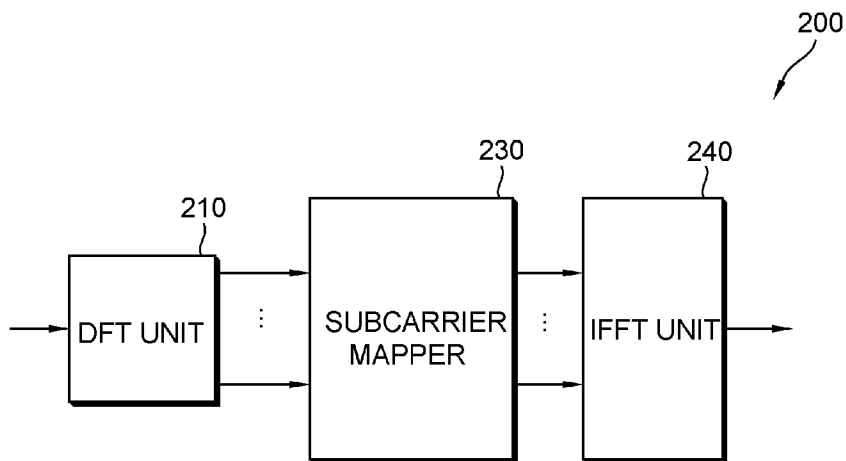
transmitting, to the user equipment, uplink scheduling information generated in consideration of a physical uplink control channel (PUCCH), the PUCCH being configured depending on transmission of the SRS.

- [11] The method of claim 10, wherein the uplink scheduling information is an uplink grant, the uplink grant being transmitted on a PDCCH.

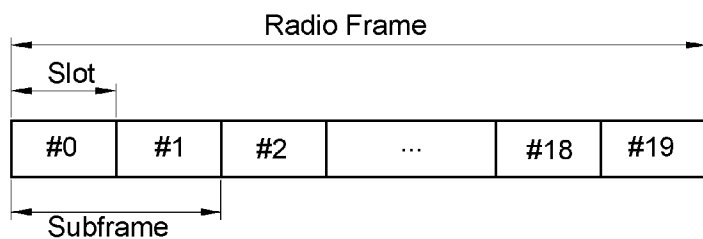
[Fig. 1]



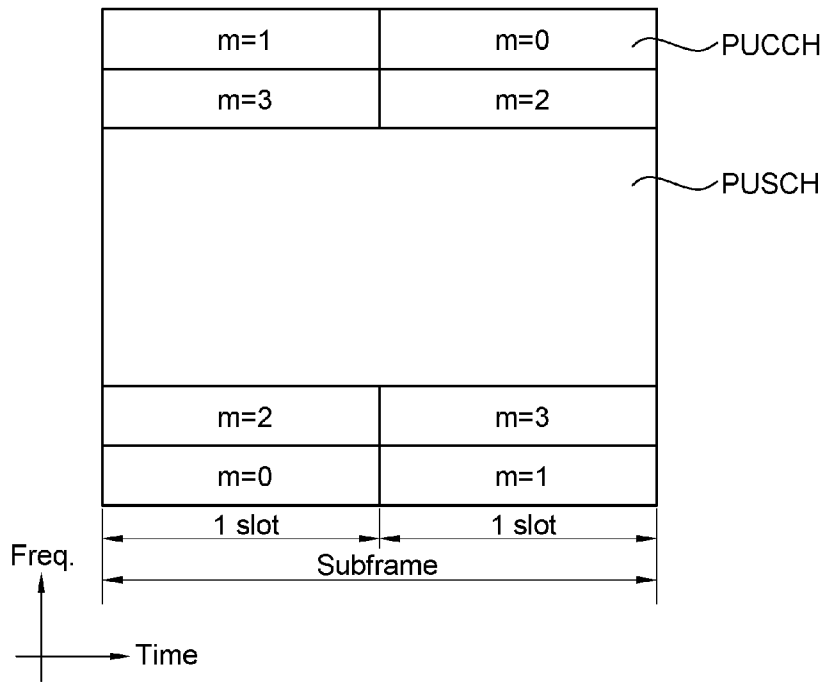
[Fig. 2]



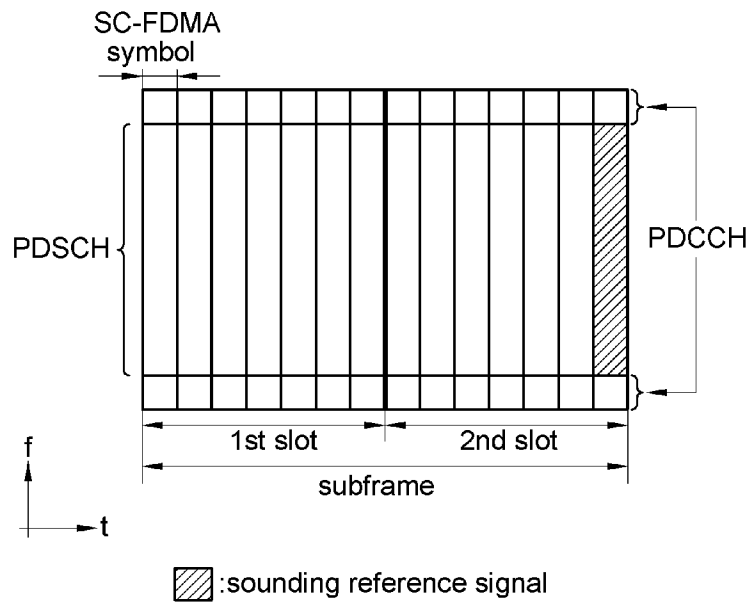
[Fig. 3]



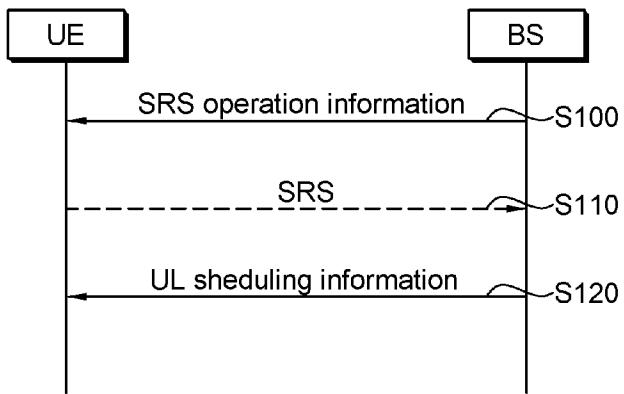
[Fig. 4]



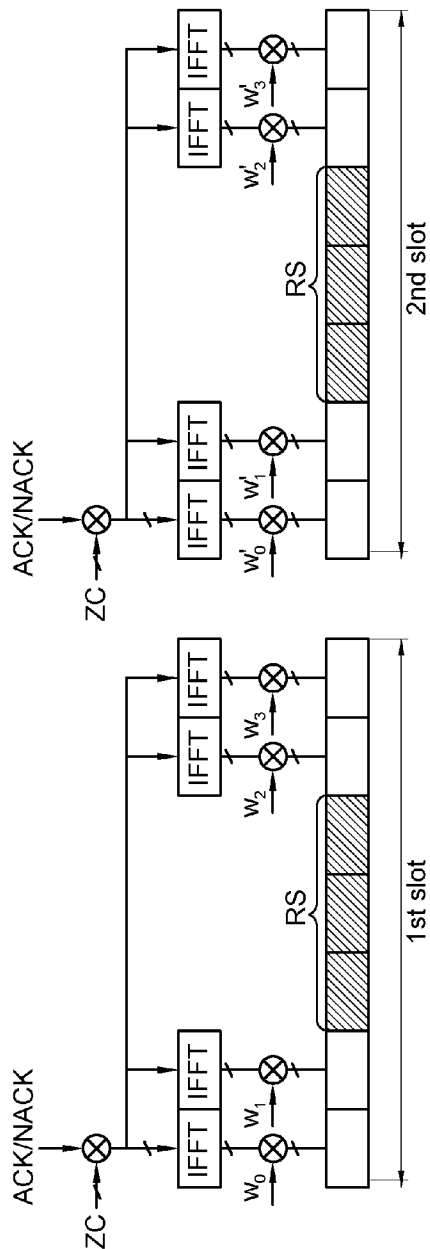
[Fig. 5]



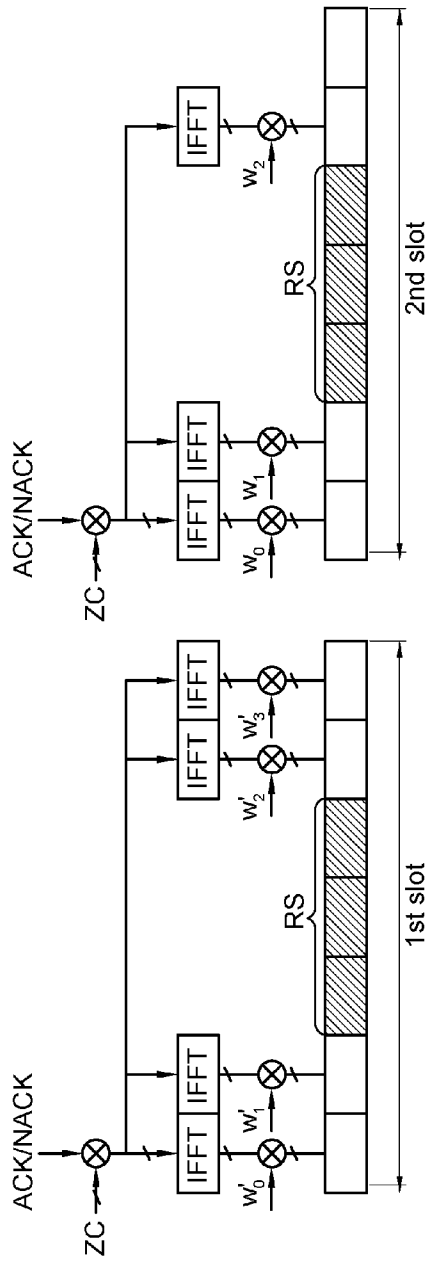
[Fig. 6]



[Fig. 7]



[Fig. 8]



[Fig. 9]

