

(19) World Intellectual Property
Organization
International Bureau



(43) International Publication Date
18 December 2003 (18.12.2003)

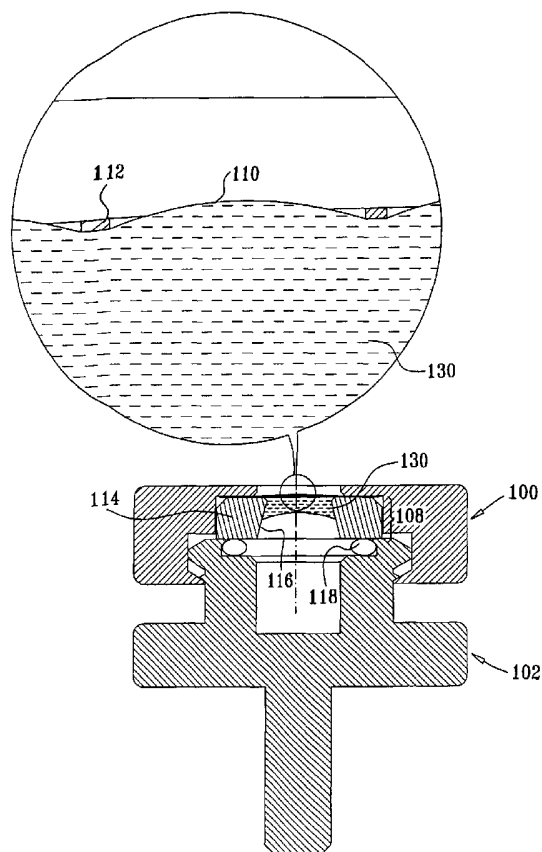
PCT

(10) International Publication Number
WO 2003/104846 A3

- (51) International Patent Classification⁷: G21K 05/08, H01J 3/14, G01N 23/00, 25/00
- (21) International Application Number: PCT/IL2003/000454
- (22) International Filing Date: 1 June 2003 (01.06.2003)
- (25) Filing Language: English
- (26) Publication Language: English
- (30) Priority Data:
150054 5 June 2002 (05.06.2002) IL
150055 5 June 2002 (05.06.2002) IL
60/393,747 8 July 2002 (08.07.2002) US
60/448,808 20 February 2003 (20.02.2003) US
- (71) Applicant (for all designated States except US): QUANTOMIX LTD. [IL/IL]; P.O. Box 4037, 70400 Nes Ziona (IL).
- (72) Inventors; and
- (75) Inventors/Applicants (for US only): SPRINZAK, David [IL/IL]; 7 Einstein Street, 76470 Rehovot (IL). NECHUSHTAN, Amotz [IL/IL]; 32 Haalon Street, 76858 Aseret (IL). ZIK, Ory [IL/IL]; 17 Aharonovitz Street, 76347 Rehovot (IL). GILEADI, Ofer [IL/IL]; 4 Paldi Street, 76248 Rehovot (IL).
- (74) Agents: SANFORD T. COLB & CO. et al.; P.O. Box 2273, 76122 Rehovot (IL).
- (81) Designated States (national): AE, AG, AL, AM, AT, AU, AZ, BA, BB, BG, BR, BY, BZ, CA, CH, CN, CO, CR, CU, CZ, DE, DK, DM, DZ, EC, EE, ES, FI, GB, GD, GE, GH, GM, HR, HU, ID, IL, IN, IS, JP, KE, KG, KP, KR, KZ, LC, LK, LR, LS, LT, LU, LV, MA, MD, MG, MK, MN, MW, MX, MZ, NI, NO, NZ, OM, PH, PL, PT, RO, RU, SC, SD, SE, SG, SK, SL, TJ, TM, TN, TR, TT, TZ, UA, UG, US, UZ, VC, VN, YU, ZA, ZM, ZW.
- (84) Designated States (regional): ARIPO patent (GH, GM, KE, LS, MW, MZ, SD, SL, SZ, TZ, UG, ZM, ZW),

[Continued on next page]

(54) Title: A SAMPLE ENCLOSURE FOR A SCANNING ELECTRON MICROSCOPE AND METHODS OF USE THEREOF



(57) Abstract: An SEM compatible sample holder having a sample enclosure element (100) with a beam permeable /fluid impermeable membrane (108) over an aperture (106) to secure a fluid sample for observation with an electron beam.

WO 2003/104846 A3



Eurasian patent (AM, AZ, BY, KG, KZ, MD, RU, TJ, TM),
European patent (AT, BE, BG, CH, CY, CZ, DE, DK, EE,
ES, FI, FR, GB, GR, HU, IE, IT, LU, MC, NL, PT, RO,
SE, SI, SK, TR), OAPI patent (BF, BJ, CF, CG, CI, CM,
GA, GN, GQ, GW, ML, MR, NE, SN, TD, TG).

(88) Date of publication of the international search report:
15 April 2004

For two-letter codes and other abbreviations, refer to the "Guidance Notes on Codes and Abbreviations" appearing at the beginning of each regular issue of the PCT Gazette.

Published:

- *with international search report*
- *before the expiration of the time limit for amending the claims and to be republished in the event of receipt of amendments*

INTERNATIONAL SEARCH REPORT

International application No.

PCT/IL03/00454

A. CLASSIFICATION OF SUBJECT MATTER

IPC(7) : G21K 05/08; H01J 3/14; G01N 23/00, 25/00;
 US CL : 250/306, 309,310,311, 397, 440.1, 441.1,442.1,443.1

According to International Patent Classification (IPC) or to both national classification and IPC

B. FIELDS SEARCHED

Minimum documentation searched (classification system followed by classification symbols)
 U.S. : 250/306, 309,310,311, 397, 440.1, 441.1,442.1,443.1

Documentation searched other than minimum documentation to the extent that such documents are included in the fields searched

Electronic data base consulted during the international search (name of data base and, where practicable, search terms used)

C. DOCUMENTS CONSIDERED TO BE RELEVANT

Category *	Citation of document, with indication, where appropriate, of the relevant passages	Relevant to claim No.
X --- A	US 4,705,949 A (GRIMES, II et al.) 10 November 1987 (10.11.1987), Fig. 4.	1,8,16,25,37,46,57,65, 72,84,92,95 ----- 2-7,9-15,17-24,26- 36,38-45,47-56,58- 64,66-71,73-83,85- 91,93-94,96-119
A	US 5,362,964 A (KNOWLES et al.) 08 November 1994 (08.11.1994), columns 4-5.	1-119
A	US 5,097,134 A (KIMOTO et al.) 17 March 1992 (17.03.1992), Fig. 1, column 1-2.	1-119

Further documents are listed in the continuation of Box C.

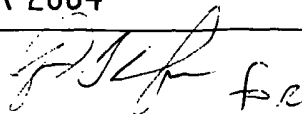
See patent family annex.

* Special categories of cited documents:	"T" later document published after the international filing date or priority date and not in conflict with the application but cited to understand the principle or theory underlying the invention
"A" document defining the general state of the art which is not considered to be of particular relevance	"X" document of particular relevance; the claimed invention cannot be considered novel or cannot be considered to involve an inventive step when the document is taken alone
"E" earlier application or patent published on or after the international filing date	"Y" document of particular relevance; the claimed invention cannot be considered to involve an inventive step when the document is combined with one or more other such documents, such combination being obvious to a person skilled in the art
"L" document which may throw doubts on priority claim(s) or which is cited to establish the publication date of another citation or other special reason (as specified)	"&" document member of the same patent family
"O" document referring to an oral disclosure, use, exhibition or other means	
"P" document published prior to the international filing date but later than the priority date claimed	

Date of the actual completion of the international search
 08 October 2003 (08.10.2003)

Date of mailing of the international search report
12 MAR 2004

Name and mailing address of the ISA/US
 Mail Stop PCT, Attn: ISA/US
 Commissioner for Patents
 P.O. Box 1450
 Alexandria, Virginia 22313-1450
 Facsimile No. (703)305-3230

Authorized officer

 John Lee
 Telephone No. 703-308-0956