

(19) World Intellectual Property Organization
International Bureau



(43) International Publication Date
14 February 2008 (14.02.2008)

PCT

(10) International Publication Number
WO 2008/018746 A1

(51) International Patent Classification:
A47K 10/02 (2006.01)

(21) International Application Number:
PCT/KR2007/003804

(22) International Filing Date: 8 August 2007 (08.08.2007)

(25) Filing Language: Korean

(26) Publication Language: English

(30) Priority Data:
10-2006-0074461 8 August 2006 (08.08.2006) KR

(71) Applicant and

(72) Inventor: SOHN, Dae Up [KR/KR]; 222-204 Mokdong
Apt., 902 Mok-dong, Yangcheon-gu, Seoul 158-752 (KR).

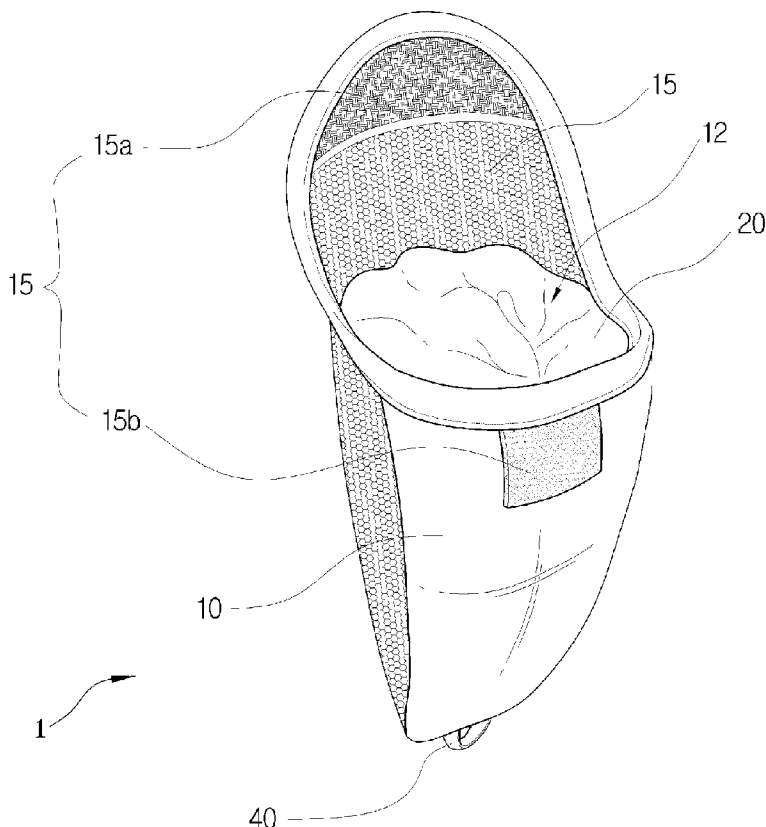
(74) Agent: SEONG, Nak Hoon; 503 Seongji Heights 3-cha
Bldg., 642-6 Yeoksam-dong, Gangnam-gu, Seoul 135-717
(KR).

(81) Designated States (unless otherwise indicated, for every kind of national protection available): AE, AG, AL, AM, AT, AU, AZ, BA, BB, BG, BH, BR, BW, BY, BZ, CA, CH, CN, CO, CR, CU, CZ, DE, DK, DM, DO, DZ, EC, EE, EG, ES, FI, GB, GD, GE, GH, GM, GT, HN, HR, HU, ID, IL, IN, IS, JP, KE, KG, KM, KN, KP, KZ, LA, LC, LK, LR, LS, LT, LU, LY, MA, MD, ME, MG, MK, MN, MW, MX, MY, MZ, NA, NG, NI, NO, NZ, OM, PG, PH, PL, PT, RO, RS, RU, SC, SD, SE, SG, SK, SL, SM, SV, SY, TJ, TM, TN, TR, TT, TZ, UA, UG, US, UZ, VC, VN, ZA, ZM, ZW.

(84) Designated States (unless otherwise indicated, for every kind of regional protection available): ARIPO (BW, GH, GM, KE, LS, MW, MZ, NA, SD, SL, SZ, TZ, UG, ZM, ZW), Eurasian (AM, AZ, BY, KG, KZ, MD, RU, TJ, TM), European (AT, BE, BG, CH, CY, CZ, DE, DK, EE, ES, FI, FR, GB, GR, HU, IE, IS, IT, LT, LU, LV, MC, MT, NL, PL, PT, RO, SE, SI, SK, TR), OAPI (BF, BJ, CF, CG, CI, CM, GA, GN, GQ, GW, ML, MR, NE, SN, TD, TG).

Published:
— with international search report

(54) Title: TOWEL



(57) Abstract: Disclosed is a towel including a pouch provided integrally with a cover unit selectively closing an opening formed at one side thereof, and a towel body kept in the pouch and selectively taken out of the pouch so as to be used. Since the towel body kept in the pouch is selectively taken out of the pouch so as to be used, the towel does not obstruct outdoor activities, and is handy to carry about and keep.

WO 2008/018746 A1

Description

TOWEL

Technical Field

- [1] The present invention relates to a towel, and more particularly to a towel, which has good portability and keeping ability so as to increase the convenience of use.

Background Art

- [2] In general, towels are nappy cotton goods, which are woven out of a cotton yarn and are used to wipe away moisture, sweat, or various foreign substances from the face or the body. These towels are provided with uncut piles therein or on the surface thereof, and thus have excellent moisture absorptiveness and air ventilation. The towels are divided into a bathing towel having a large size, a washing towel having a middle size, a towel handkerchief put into a pocket, a towel for wiping away sweat during exercise or work, etc., according to purpose. A textile woven for towels is called 'a piece of toweling', and effectively absorbs moisture, thus being used to produce a single-layered coverlet, serving as a summer coverlet, or a pajama.
- [3] In the case that a person works at a civil engineering and construction site or a factory, climbs a mountain, or gets exercise, the person sweats at his/her face and/or body or various foreign substances are stuck to his/her face and/or body. When moisture or sweat is put into eyes and/or a part of the body, a person cannot concentrate on various works or exercise. Accordingly, the person needs to carry a towel for wiping away moisture, sweat, and/or various foreign substances.
- [4] Generally, conventional towels are partially put into a pocket of user's pants or put around user's neck.
- [5] Accordingly, the conventional towels are disadvantageous in that the towels are not handy to carry about, are easily separated from user's body, and cannot be effectively used. That is, the conventional towels are unhandy to carry about and keep.
- [6] Further, since the conventional towels cannot easily evaporate moisture wiped from user's face or parts of user's body, when the towels are continuously used for a long time, the towels smell sweaty and become wet.

Disclosure of Invention

Technical Problem

- [7] Therefore, the present invention has been made in view of the above problems, and it is an object of the present invention to provide a towel, which is handy to carry about and keep, and easily evaporates absorbed moisture to the outside, thus greatly increasing the convenience of use.
- [8] It is another object of the present invention to provide a towel, in which a pouch

having a reception space formed therein and a towel body made of a functional fabric, such as a microfiber, are detachably attached to each other so as to facilitate the washing of the towel body and not to limit the range of use of the towel body, thus increasing the convenience of use and improving the degree of freedom in designing a product.

Technical Solution

- [9] In accordance with an aspect of the present invention, the above and other objects can be accomplished by the provision of a towel comprising a pouch provided with an opening formed at one side thereof, a reception space formed therein, and a plurality of air holes formed through the external surface thereof; a cover unit opening and closing the opening of the pouch; a towel body connected to any one of the pouch and the cover; and a first adhesion unit provided at regions of the pouch and the cover unit adjacent to each other for detachably attaching the pouch and the cover unit to each other.
- [10] Preferably, a second adhesion unit for detachably attaching the pouch to a target object is provided at one surface of the pouch.
- [11] More preferably, the second adhesion unit is provided on the rear surface of the pouch, and includes an adhesion band provided with cutoff slots.
- [12] Further, preferably, the towel body is detachably connected to any one of the pouch and the cover unit.
- [13] In accordance with another aspect of the present invention, there is provided a towel, which has a pouch provided integrally with a cover unit selectively closing an opening formed at one side thereof, and a towel body kept in the pouch and selectively taken out of the pouch so as to be used, wherein the towel body is provided integrally with a connection band having a designated length formed at one end thereof, the pouch is provided with a through hole formed through a position thereof opposite to the opening, and adhesion parts for selectively attaching and detaching the towel body and the pouch to and from each other are respectively provided at one end of the connection band and one side of the external surface of the pouch.
- [14] Preferably, the adhesion parts are a pair of Velcro tapes.
- [15] In accordance with another aspect of the present invention, there is provided a towel, which has a pouch provided integrally with a cover unit selectively closing an opening formed at one side thereof, and a towel body kept in the pouch and selectively taken out of the pouch so as to be used, wherein the towel body is provided integrally with a connection band having a designated length formed at one end thereof, the pouch is provided integrally with a buckle band, both ends of which are protruded to the inside and the outside of the pouch, at a position thereof opposite to the opening,

and connection elements for selectively connecting and disconnecting the connection band and the buckle band to and from each other by an elastic fit are respectively provided on the connection band and the buckle band.

[16] Preferably, the connection elements include an insert provided with a pair of elastic pieces, and a receptor provided with a groove, into which the elastic pieces of the insert are elastically fitted.

[17] Further, preferably, one end of the buckle band exposed to the outside forms a loop part.

[18] In accordance with yet another aspect of the present invention, there is provided a towel, which has a pouch provided integrally with a cover unit selectively closing an opening formed at one side thereof, and a towel body kept in the pouch and selectively taken out of the pouch so as to be used, wherein the towel body is provided integrally with a connection band having a designated length formed at one end thereof, the pouch is provided with a through hole formed through a position thereof opposite to the opening, and connection elements for selectively connecting and disconnecting the towel body and the pouch to and from each other by an elastic fit are respectively provided at one end of the connection band and one side of the external surface of the pouch.

[19] Preferably, the connection elements are respectively provided at both ends of an extension band, one end of which passes through the through hole, the end of the connection band, and the side of the external surface of the pouch, and include inserts, each of which is provided with a pair of elastic pieces having elastic displacement, and receptors, each of which is provided with a groove, into which the pair of elastic pieces of the corresponding one of the inserts is elastically fitted.

Advantageous Effects

[20] The present invention provides a towel, which is handy to carry about and keep, and easily evaporates absorbed moisture to the outside, thus greatly increasing the convenience of use.

[21] Further, the towel of the present invention includes a pouch and a towel body, which are easily attached to or detached from each other only by a simple manipulation, so as to facilitate the washing of the towel body and easily replace the worn-out towel body with a new one, thus increasing customer's satisfaction for a product. Further, in the case that the pouch is fixed to a bag or clothes through a connecting ring, it is not necessary to separate the pouch from the bag or clothes but only the towel body may be separated from the pouch. Thus, compared with conventional towels, the towel of the present invention does not limit the range of use of the towel body, thus increasing the convenience of use.

[22] Particularly, the connecting structure between the pouch and the towel body increases the degree of freedom in designing of a product, and thus the increase of the competitive power of a product is expected.

Brief Description of the Drawings

[23] The above and other objects, features and other advantages of the present invention will be more clearly understood from the following detailed description taken in conjunction with the accompanying drawings, in which:

[24] FIGS. 1 to 4 are views illustrating a towel in accordance with one embodiment of the present invention;

[25] FIG. 5 is a perspective view illustrating the rear surface of a towel in accordance with another embodiment of the present invention;

[26] FIGS. 6 and 7 are views illustrating a towel in accordance with another embodiment of the present invention;

[27] FIGS. 8 and 9 are partially exploded perspective views illustrating a towel in accordance with another embodiment of the present invention;

[28] FIG. 10 is a sectional view of an essential portion of a towel in accordance with another embodiment of the present invention;

[29] FIG. 11 is a partially exploded perspective view illustrating a towel in accordance with another embodiment of the present invention; and

[30] FIG. 12 is a partially exploded perspective view illustrating a towel in accordance with yet another embodiment of the present invention.

Mode for the Invention

[31] Now, preferred embodiments of the present invention will be described in detail with reference to the annexed drawings.

[32] FIGS. 1 to 4 illustrate a towel in accordance with one embodiment of the present invention.

[33] As shown in FIGS. 1 to 4, the towel 1 of this embodiment includes a pouch 10, a cover unit 15, and a towel body 20.

[34] The pouch 10 is provided with an opening 12 formed at one side thereof, and a reception space 10a formed therein for receiving the towel body 20 in a folded state.

[35] A plurality of air holes 14a is formed through a part or the entire region of the pouch 10, as shown in FIG. 2, and thus remarkably improves the air ventilation of the towel body 20 received in the pouch 10.

[36] The cover unit 15 is provided integrally with the opening 12 of the pouch 10, and serves to open and close the opening 12 of the pouch 10.

[37] First adhesion unit for maintaining the closed state of the opening 12 of the pouch 10 by the cover unit 15 is provided at regions of the cover unit 15 and the pouch 10

adjacent to each other.

- [38] Although FIG. 1 illustrates adhesion parts 15a and 15b employing Velcro fasteners as the first adhesion unit, the adhesion parts 15a and 15b are not limited thereto but may employ various adhesion parts, such as snap fasteners, locking hooks, and various buttons.
- [39] The towel body 20 is fixedly connected or detachably connected to one side surface of the pouch 10 or the cover unit 15.
- [40] More specifically, the towel body 20 is fixedly connected to the inner surface of the pouch 10, as shown in FIG. 4, or is fixedly connected to the inner surface of the cover unit 15. Thereby, when the towel body 20 is folded and received in the reception space 10a of the pouch 10, the towel body 20 is not exposed to the outside.
- [41] Preferably, the towel body 20 is mainly made of a microfiber, and thus the towel of the present invention is advantageous in that the towel body 20 effectively absorbs moisture, removes foreign substances, and evaporates the absorbed moisture.
- [42] A second adhesion unit 40 is provided at one side of the pouch 10, as shown in FIGs. 1 and 2.
- [43] The second adhesion unit 40 serves to detachably attach the pouch 10 to user's clothes or belt. FIGs. 1 and 2 illustrate the second adhesion unit 40 having a detachable ring shape.
- [44] However, the second adhesion unit 40 is not limited to the ring shape, as shown in FIGs. 1 to 4, the second adhesion unit 40 may employ detachable adhesion parts having various shapes, such as a Velcro fastener and a snap fastener.
- [45] Hereinafter, the use of the above-described towel in accordance with this embodiment will be described.
- [46] While a user carries the towel by attaching the second adhesion unit 40 of the pouch 10 to his/her clothes or belt, in order to wipe away moisture or sweat from a part of the user's body, such as the face, the user opens the cover unit 15 distant from the pouch 10, and unfolds the towel body 20 in the pouch 10 and uses the unfolded towel body 20.
- [47] Thereafter, when the user wants to keep the towel body 20 in the pouch 10 again, the user folds the towel body 20 and then puts into the folded towel body 20 into the reception space 10a.
- [48] Alternatively, as shown in FIG. 5, a second adhesion unit 50 includes an adhesion band 52, through which cutoff slots 51 are formed, attached to one surface, preferably, the rear surface, of the pouch 10.
- [49] The adhesion band 52 causes the user's belt to be inserted thereinto through the cutoff slots 51, thus allowing the user to easily carry and keep the towel.
- [50] As described above, after the towel body 20 is kept in the pouch 10, the towel body

20 is easily used in case of need, and thus the convenience of use of the towel of the present invention is greatly increased.

[51] Further, the towel body 20 is mainly made of a microfiber, and thus the towel of the present invention is advantageous in that the towel body 20 effectively absorbs moisture, removes foreign substances, and evaporates the absorbed moisture.

[52] FIGs. 6 and 7 are views illustrating a towel in accordance with another embodiment of the present invention.

[53] As shown in FIGs. 6 and 7, the towel body 20 of the towel 1 of this embodiment is integrally fixed to the adhesion part 15b, which employs a Velcro fastener so as to selectively close an opening of the pouch 10, by sewing.

[54] The towel 1 of this embodiment, in which one end of the towel body 20 is fixed to the adhesion part 15b of the pouch 10 by sewing, shortens a man-hour needed for production, compared with the towel of the former embodiment, and thus improves productivity and reduces production costs. Further, since the drawing position of the towel part 20 out of the pouch 10 is close to the cover unit 15, the length of the towel part 20 drawn out of the pouch 10 is elongated.

[55] FIGs. 8 and 9 are partially exploded perspective views illustrating a towel in accordance with another embodiment of the present invention.

[56] As shown in FIGs. 8 and 9, a towel 1 of this embodiment includes a pouch 10 having a bag shape for providing a reception space formed therein, and a towel body 20 received in the pouch 10 and selectively drawn to the outside so as to be used.

[57] The pouch 10 forms the reception space having a designated size therein, and an opening (without reference numeral) for putting or taking the towel body 20 into or out of the pouch is formed through one side of the pouch 10.

[58] Such a pouch 10 is obtained by sewing two different fabrics integrally. As shown in FIGs. 8 and 9, one surface of the pouch 10 forms a shielding surface 11 made of a fabric woven by a synthetic yarn, a natural yarn, or a composition thereof, and the other surface of the pouch 10 forms a ventilating surface 14 made of a mesh net provided with air holes formed therethrough at the same interval so as to assure the air ventilation of the towel body 20 received in the pouch 10. Here, a cover unit 15 having a size enough to close the opening of the pouch 10 is formed integrally with the ventilating surface 14.

[59] Adhesion parts 15a and 15b employing Velcro fasteners are respectively provided on the cover unit 15 and the shielding surface 11. Thus, the opening of the pouch 10 is closed by attaching the adhesion parts 15 and 15b to each other under the condition that the cover unit 15 is folded toward the shielding surface 11. The adhesion parts 15a and 15b provided on the cover unit 15 and the shielding surface 11 are not limited to the Velcro fasteners, but may employ snap fasteners, or various buttons or strings.

- [60] The towel body 20 is kept in the pouch 10, and then is selectively taken out of the pouch 10 by a user. The towel body 20 is made of a fabric, which easily absorbs and evaporates sweat or moisture and removes foreign substances, and is preferably made of a cotton fabric or a functional fabric, such as a microfiber. When the towel body 20 is not in use, the towel body 20 is folded and kept in the pouch 10, and is not exposed to the outside by closing the opening of the pouch 10 with the cover unit 15.
- [61] The above constitution of the towel 1 of this embodiment is substantially similar to that of the towel of the former embodiment. However, the towel 1 of this embodiment is characterized in that the pouch 10 and the towel body 20 can be selectively separated from each other.
- [62] That is, the towel 1 having the below constitution allows the pouch 10 and the towel body 20 to be selectively separated from each other.
- [63] A through hole (h) is formed through a position of the pouch 10 opposite to the opening, through which the towel body 20 is taken out of the pouch 10 or is inserted into the reception space in the pouch 10. Preferably, the through hole (h) has a smaller size than that of the opening.
- [64] Further, an adhesion part 16 is provided at one side of the shielding surface 11 close to the through hole (h). Here, the adhesion part 16 is obtained by sewing a Velcro strap on the pouch 10.
- [65] The towel body 20 is a fabric having a regular square or rectangular shape. A connection band 25 having a designated length is connected integrally to one corner of the towel body 20. An adhesion part 26, which is selectively attached to and detached from the adhesion part 16 of the shielding surface 11, is provided at one end of the connection band 25. Here, the adhesion part 26 is obtained by sewing a Velcro strap on the connection band 25.
- [66] The towel body 20 maintains its fixed state by inserting the connection band 25 into the through hole (h) of the pouch 10 and attaching the adhesion part 26 to the adhesion part 16 provided on the shielding surface 11. Here, in order to connect the connection band 25 to a bag or clothes, one side of the connection band 25 may have a loop shape, as shown in FIGs. 8 and 9, or a connection ring (c), as shown in FIG. 12, may be connected to the connection band 25.
- [67] Preferably, the connection part 16 provided on the shielding surface 11 of the pouch 10 and the adhesion part 26 provided on the connection band 25 of the towel body 20 employ Velcro fasteners. However, the adhesion part 16 and the adhesion part 26 may employ snap fasteners or strings, which are attached to and detached from each other.
- [68] Hereinafter, the use of the above-described towel in accordance with this embodiment will be described.
- [69] In order to use the towel body 20 kept in the pouch 10, a user unfolds the cover unit

15, closing the opening of the pouch 10, in a direction for separating the cover unit 15 from the shielding surface 11, thereby opening the opening of the pouch 10.

Thereafter, the user draws the towel body 20 out of the pouch 10. Thus, the towel body 20 is unfolded so as to wipe away sweat or moisture.

[70] When the user wants to keep the towel body 20 in the pouch 10 again after the use of the towel body 20 is finished, the user folds the towel body 20 and then puts into the folded towel body 20 into the pouch 10 through the opening. Thereafter, the user folds the cover unit 15 to the shielding surface 11, and attaches the cover unit 15 and the shielding surface 11 to each other using the adhesion parts 15b and 15a.

[71] The towel body 20 is selectively separated from the pouch 10 by inserting the connection band 25 connected to the towel body 20 into the through hole (h) of the pouch 10 and attaching and detaching the adhesion part 16 and the adhesion part 26 provided on the shielding surface 11 and the connection band 25 to and from each other.

[72] Since the towel body 20 is selectively separated from the pouch 10, it is possible to effectively wash the towel body 20 and replace the worn-out towel body 20 with a new one. Further, in the case that the pouch 10 is fixed to a bag or clothes, the range of use of the towel body 20 is not limited, and thus the convenience of use of the towel 1 is assured.

[73] FIG. 11 is a partially exploded perspective view illustrating a towel in accordance with another embodiment of the present invention.

[74] As shown in FIG. 11, a towel 1 of this embodiment includes a pouch 10 having a bag shape for providing a reception space formed therein, and a towel body 20 received in the pouch 10 and selectively drawn to the outside so as to be used.

[75] The above constitution of the towel 1 of this embodiment is substantially similar to that of the towel of the former embodiment. However, the towel 1 of this embodiment is characterized in that the pouch 10 and the towel body 20 can be selectively separated from each other by connection elements for maintaining the firm connection between the pouch 10 and the towel body 20 without using Velcro fasteners.

[76] That is, a buckle band 17, both ends of which are protruded to the inside and the outside of the pouch 10, is integrally provided at a position of the pouch 10 opposite to an opening, through which the towel body 20 is taken out of the pouch 10 or is folded and inserted into the reception space in the pouch 10, by sewing. Here, a fabric having a designated width is used as the buckle band 17, and one end of the buckle band 17 exposed to the outside forms a loop part 18. The connection ring (C), which is connected to the loop part 18, as shown in FIG. 11, or the loop part 18 may be connected to a bag or clothes.

[77] A connection band 25 having a designated length is connected integrally to one

corner of the towel body 20.

[78] Connection elements, for elastically connecting and disconnecting the buckle band 17 of the pouch 10 and the connection band 25 of the towel body 20 to and from each other, are provided. The connection elements are well known, and include an insert provided with a pair of elastic pieces, and a receptor provided with a groove, into which the elastic pieces of the insert are elastically fitted.

[79] In this embodiment, as shown in FIG. 11, a receptor 19 is connected to one end of the buckle band 17, and an insert 29 is connected to the tip of the connection band 25 of the towel body 20. However, the connection elements are limited thereto, and the positions of the receptor 19 and the insert 29 may be reversed.

[80] In the towel of this embodiment, since the towel body 20 is selectively separated from the pouch 10 by the receptor 19 provided on the pouch 10 and the insert 29 provided on the towel body 20, in the same manner as the former embodiment, it is possible to effectively wash the towel body 20 and replace the worn-out towel body 20 with a new one. Further, in the case that the pouch 10 is fixed to a bag or clothes, the range of use of the towel body 20 is not limited, and thus the convenience of use of the towel 1 is assured.

[81] FIG. 12 is a partially exploded perspective view illustrating a towel in accordance with yet another embodiment of the present invention.

[82] As shown in FIG. 12, a towel 1 of this embodiment includes a pouch 10 having a bag shape for providing a reception space formed therein, and a towel body 20 received in the pouch 10 and selectively drawn to the outside so as to be used.

[83] The above constitution of the towel 1 of this embodiment is substantially similar to that of the towel of the former embodiment. However, the towel 1 of this embodiment is characterized in that a through hole (without reference numeral) is formed at a position of the pouch 10 opposite to an opening of the pouch 10, one end of an extension band 17a having a designated length is inserted into the through hole, a receptor 19a, into which an insert 29 provided on a connection band 25 of the towel body 20 is fitted, is connected one end of the extension band 17a, and an insert 29a, which is elastically fitted into a receptor 19b connected to one end of the external surface of the pouch 10, is connected to the other end of the extension band 17a.

[84] Thereby, the extension band 17a, which passes through the through hole formed through the pouch 10, has a loop shape, and a connection ring is connected to the loop-shaped portion of the extension band 17a.

[85] In the towel 1 of this embodiment, the insert 29a and the receptor 19a provided on both ends of the extension band 17a are respectively connected to the receptor 19b provided on the external surface of the pouch 10 and the insert 29 provided on the towel body 20. The use of the towel 1 of this embodiment is the same as the towel of

the former embodiment, and a detailed description thereof will be thus omitted.

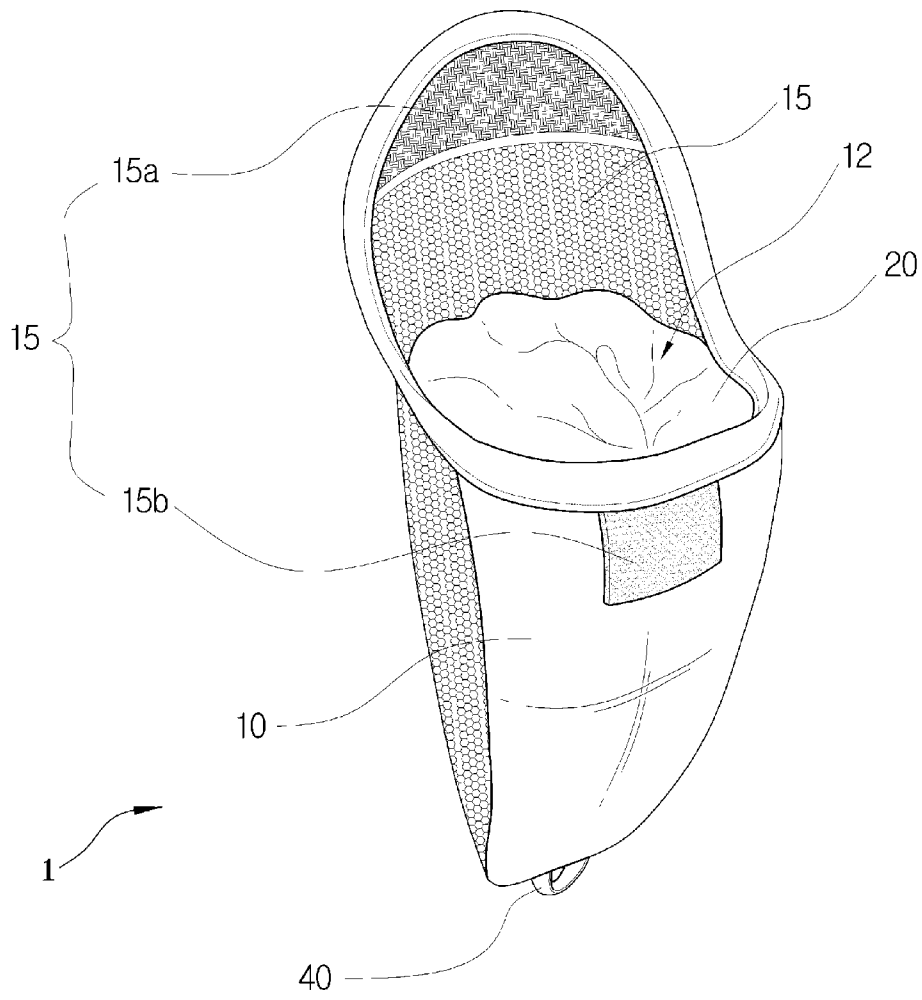
[86] Although the preferred embodiments of the present invention have been disclosed for illustrative purposes, those skilled in the art will appreciate that various modifications, additions and substitutions are possible, without departing from the scope and spirit of the invention as disclosed in the accompanying claims.

Claims

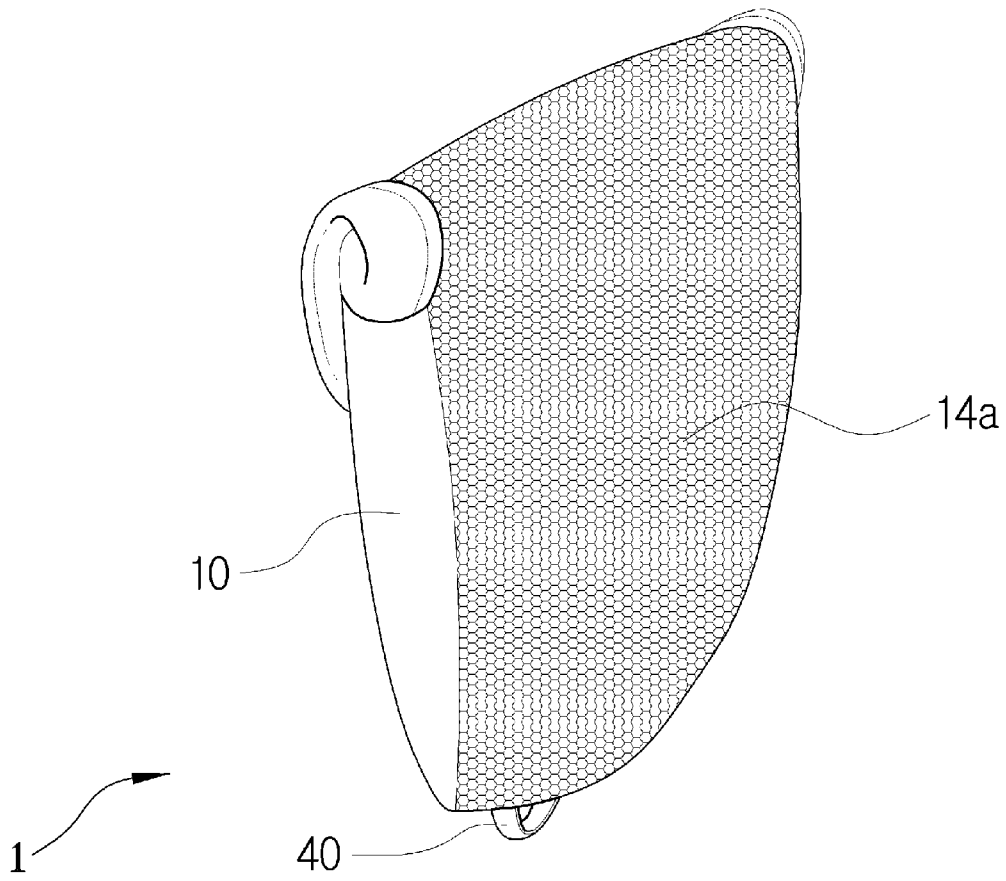
- [1] A towel comprising:
a pouch provided with an opening formed at one side thereof, a reception space formed therein, and a plurality of air holes formed through the external surface thereof;
a cover unit opening and closing the opening of the pouch;
a towel body connected to any one of the pouch and the cover; and
a first adhesion unit provided at regions of the pouch and the cover unit adjacent to each other for detachably attaching the pouch and the cover unit to each other.
- [2] The towel according to claim 1, wherein a second adhesion unit for detachably attaching the pouch to a target object is provided at one surface of the pouch.
- [3] The towel according to claim 2, wherein the second adhesion unit is provided on the rear surface of the pouch, and includes an adhesion band provided with cutoff slots.
- [4] The towel according to claim 1, wherein the towel body is detachably connected to any one of the pouch and the cover unit.
- [5] A towel, which has a pouch provided integrally with a cover unit selectively closing an opening formed at one side thereof, and a towel body kept in the pouch and selectively taken out of the pouch so as to be used,
wherein the towel body is provided integrally with a connection band having a designated length formed at one end thereof, the pouch is provided with a through hole formed through a position thereof opposite to the opening, and adhesion parts for selectively attaching and detaching the towel body and the pouch to and from each other are respectively provided at one end of the connection band and one side of the external surface of the pouch.
- [6] The towel according to claim 5, wherein the adhesion parts are one selected from the group consisting of a pair of Velcro tapes and a pair of snap fasteners.
- [7] A towel, which has a pouch provided integrally with a cover unit selectively closing an opening formed at one side thereof, and a towel body kept in the pouch and selectively taken out of the pouch so as to be used,
wherein the towel body is provided integrally with a connection band having a designated length formed at one end thereof, the pouch is provided integrally with a buckle band, both ends of which are protruded to the inside and the outside of the pouch, at a position thereof opposite to the opening, and connection elements for selectively connecting and disconnecting the connection band and the buckle band to and from each other by an elastic fit are respectively provided on the connection band and the buckle band.

- [8] The towel according to claim 7, wherein the connection elements include an insert provided with a pair of elastic pieces, and a receptor provided with a groove, into which the elastic pieces of the insert are elastically fitted.
- [9] The towel according to claim 7, wherein one end of the buckle band exposed to the outside forms a loop part.
- [10] A towel, which has a pouch provided integrally with a cover unit selectively closing an opening formed at one side thereof, and a towel body kept in the pouch and selectively taken out of the pouch so as to be used, wherein the towel body is provided integrally with a connection band having a designated length formed at one end thereof, the pouch is provided with a through hole formed through a position thereof opposite to the opening, and connection elements for selectively connecting and disconnecting the towel body and the pouch to and from each other by an elastic fit are respectively provided at one end of the connection band and one side of the external surface of the pouch.
- [11] The towel according to claim 10, wherein the connection elements are respectively provided at both ends of an extension band, one end of which passes through the through hole, the end of the connection band, and the side of the external surface of the pouch, and include inserts, each of which is provided with a pair of elastic pieces having elastic displacement, and receptors, each of which is provided with a groove, into which the pair of elastic pieces of the corresponding one of the inserts is elastically fitted.

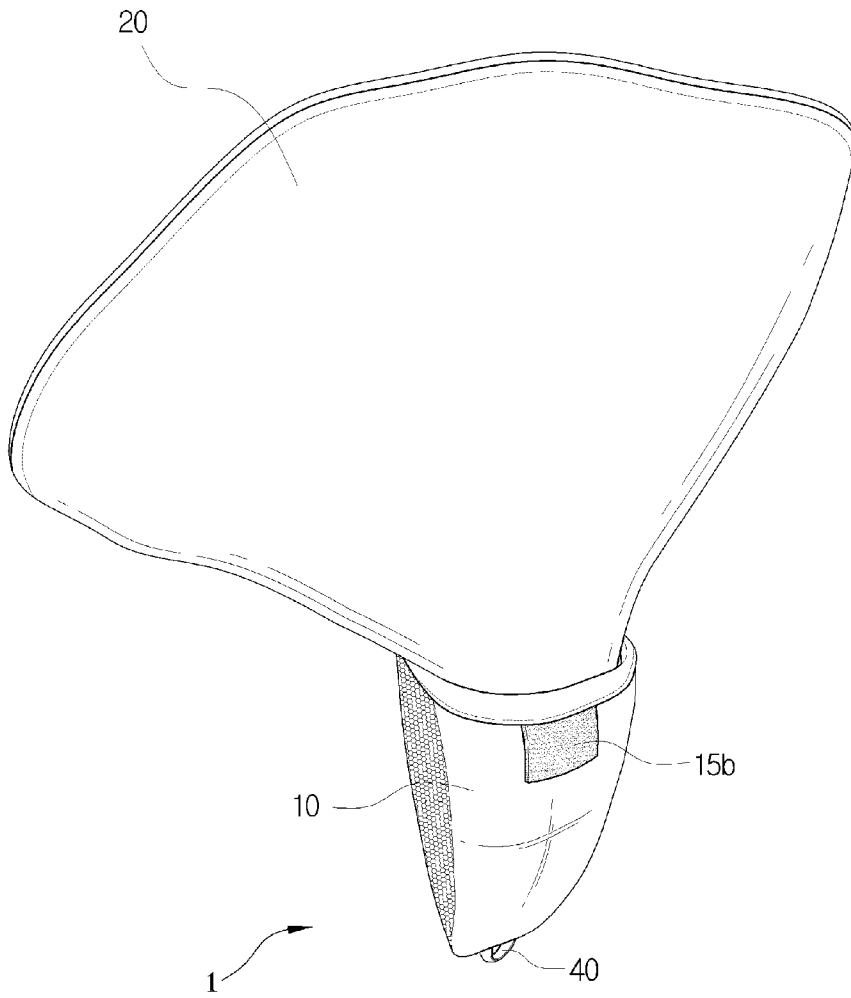
[Fig. 1]



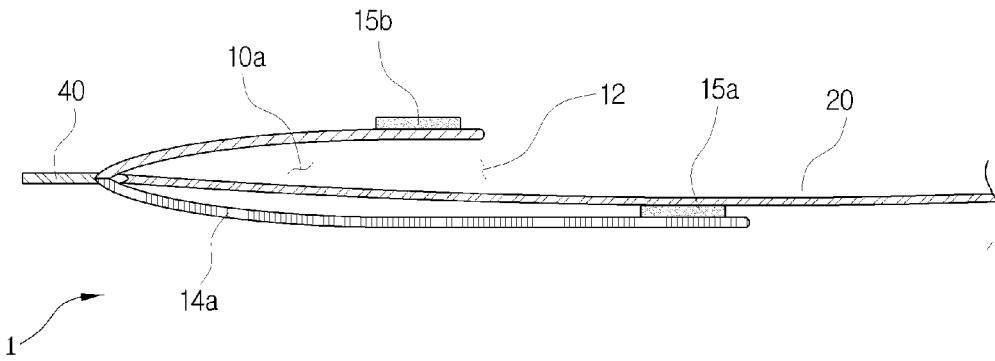
[Fig. 2]



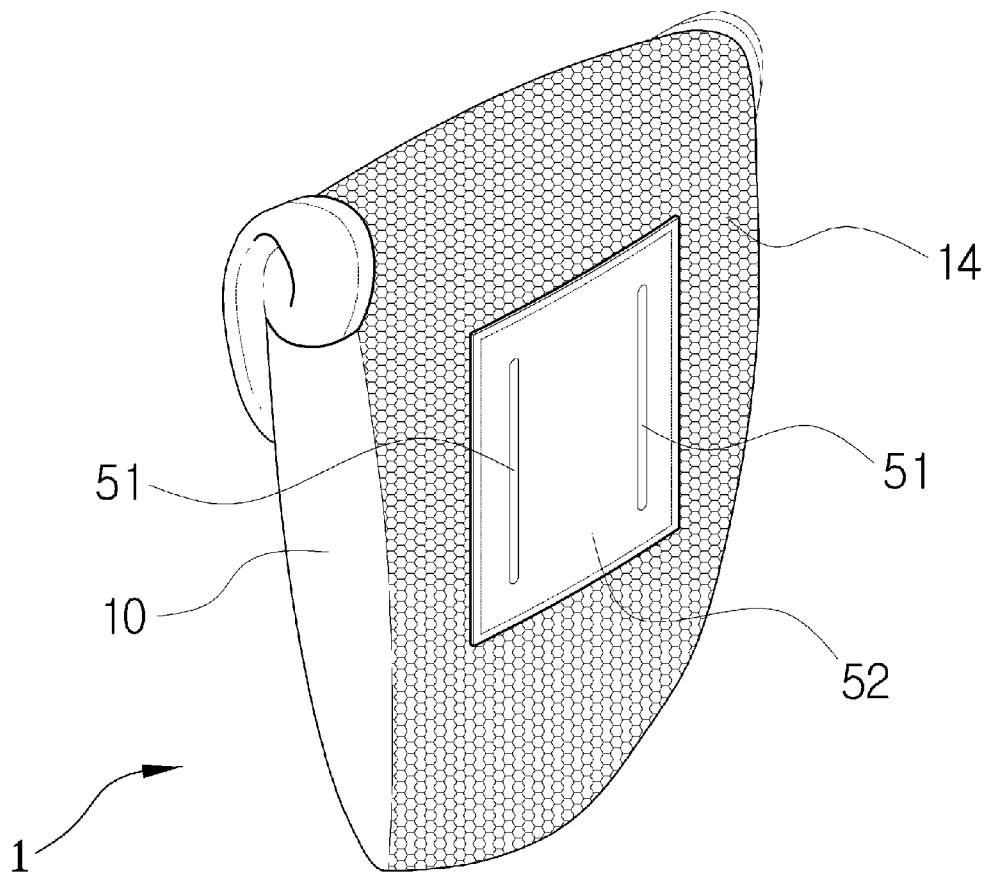
[Fig. 3]



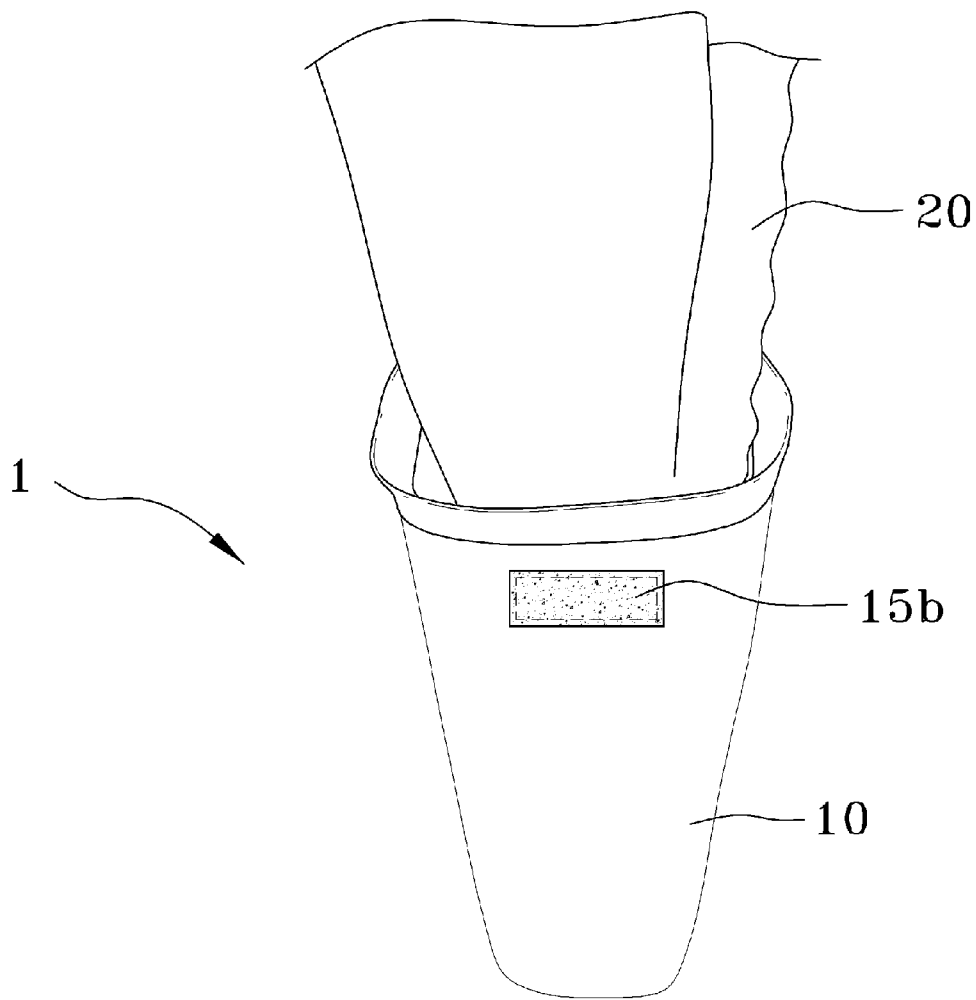
[Fig. 4]



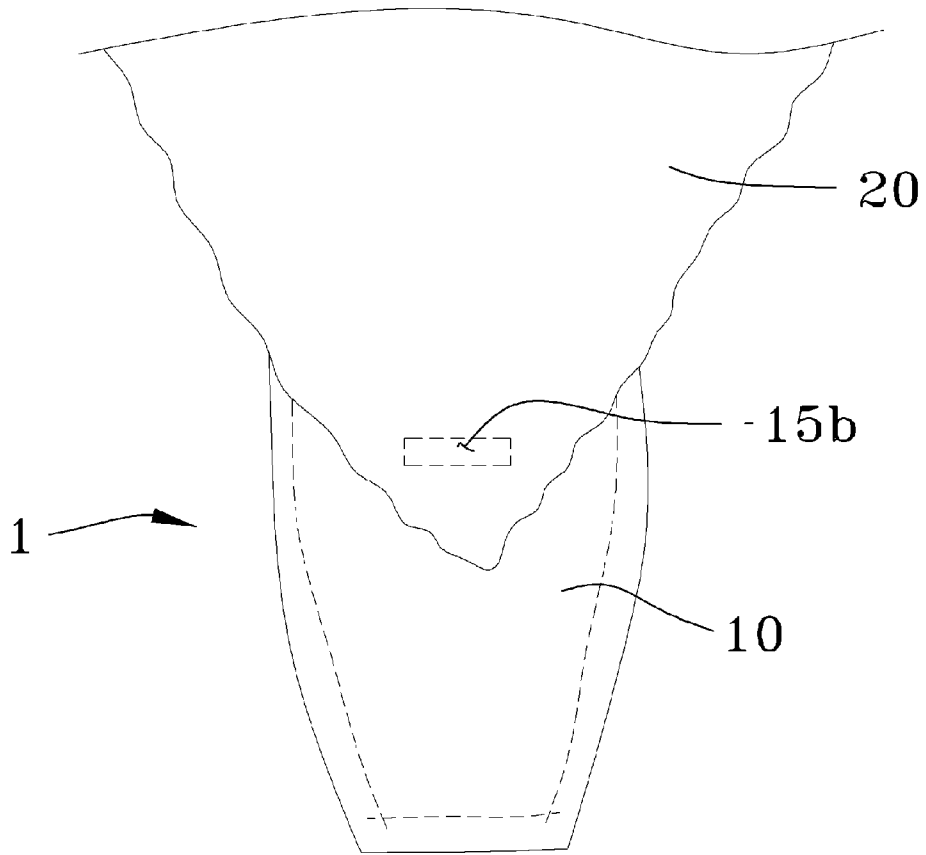
[Fig. 5]



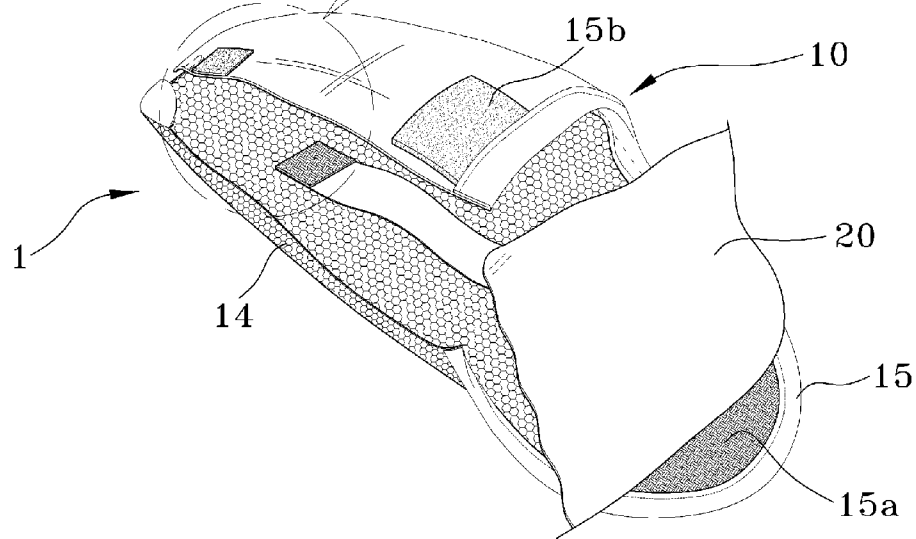
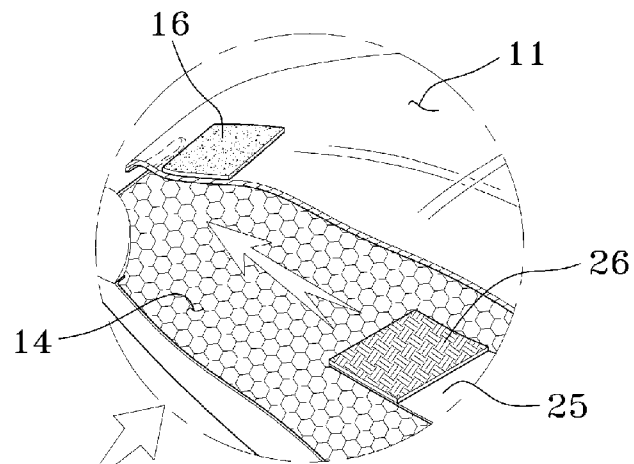
[Fig. 6]



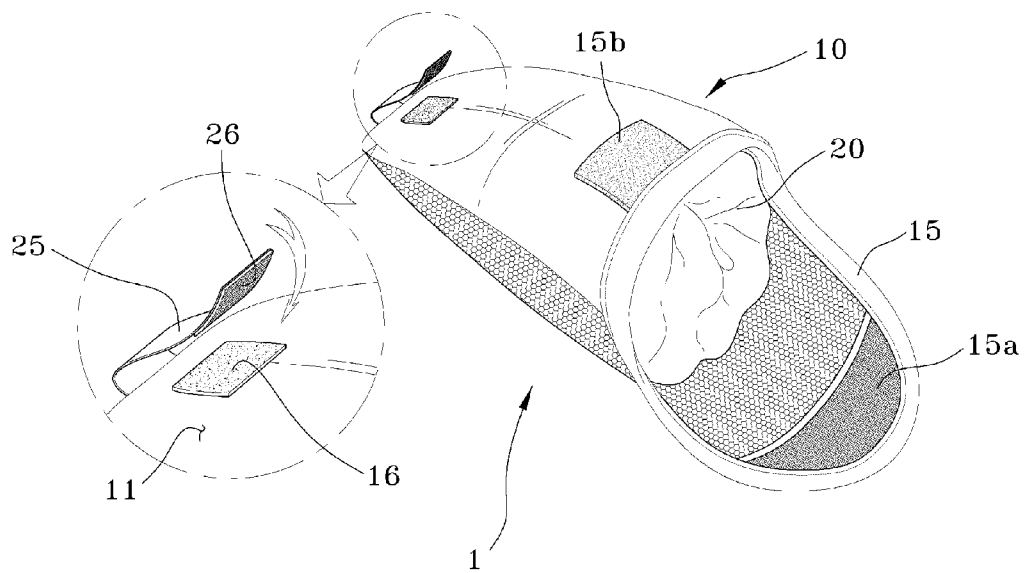
[Fig. 7]



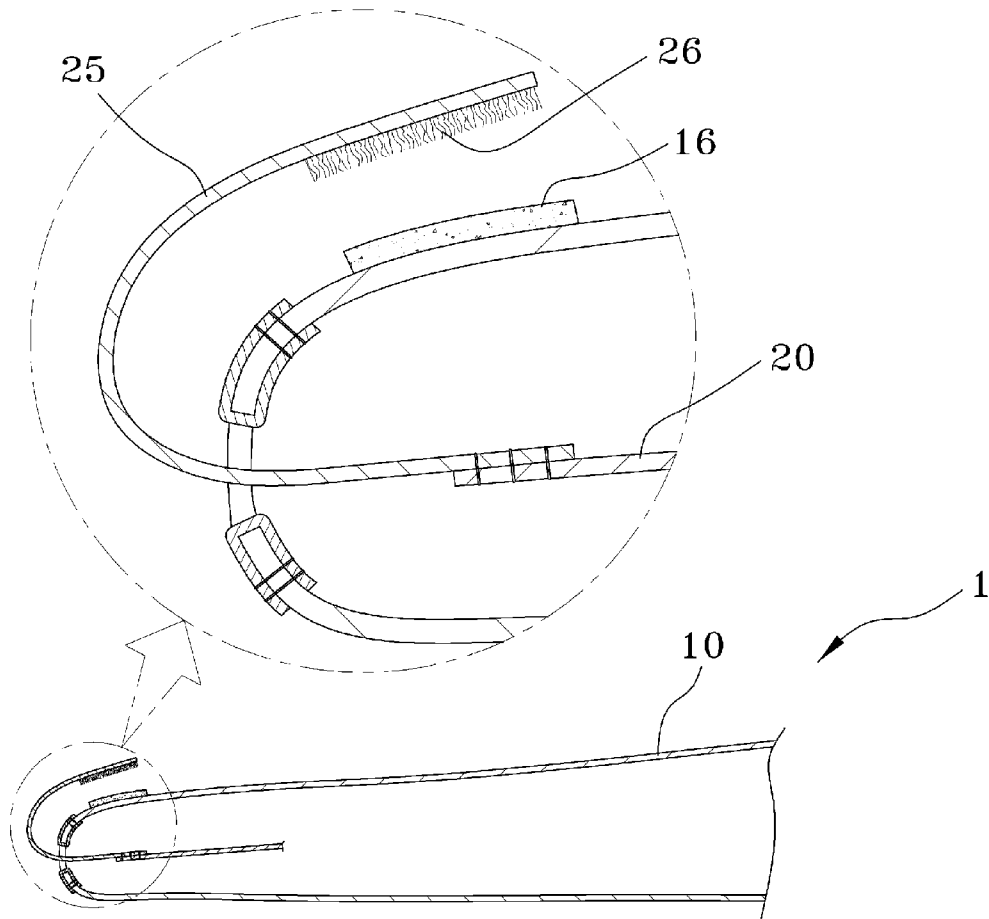
[Fig. 8]



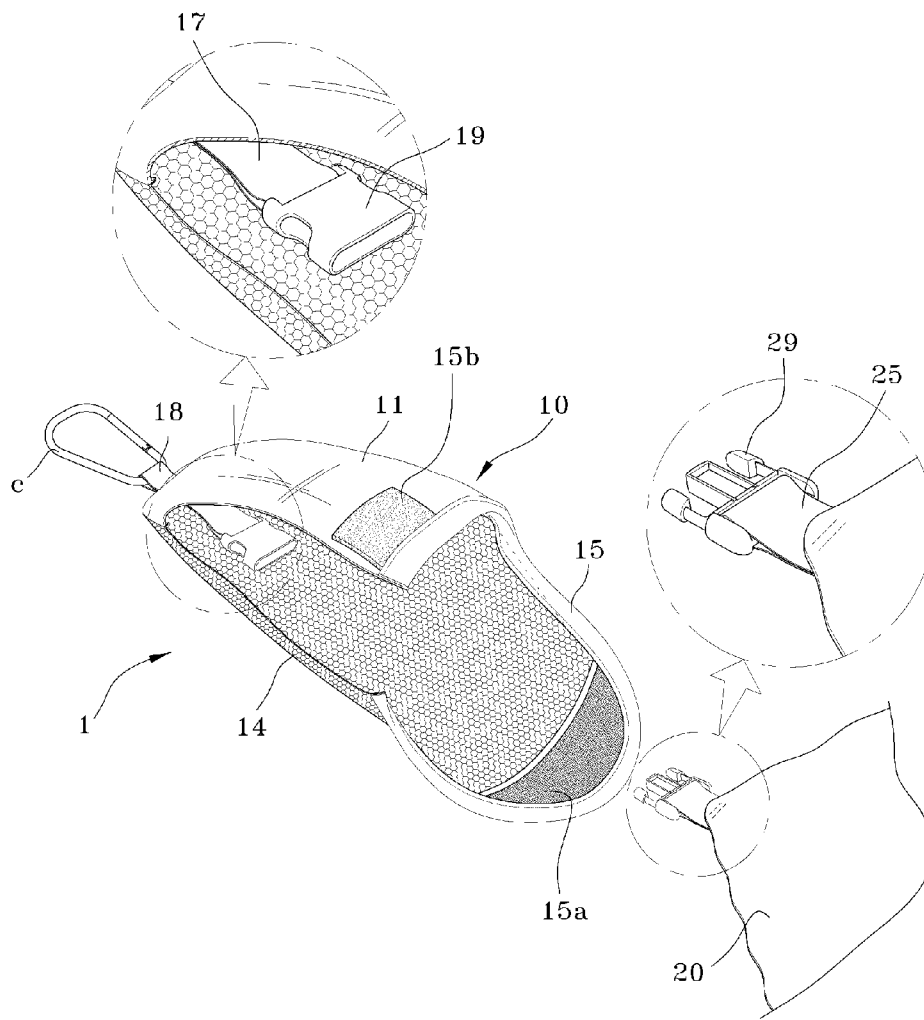
[Fig. 9]



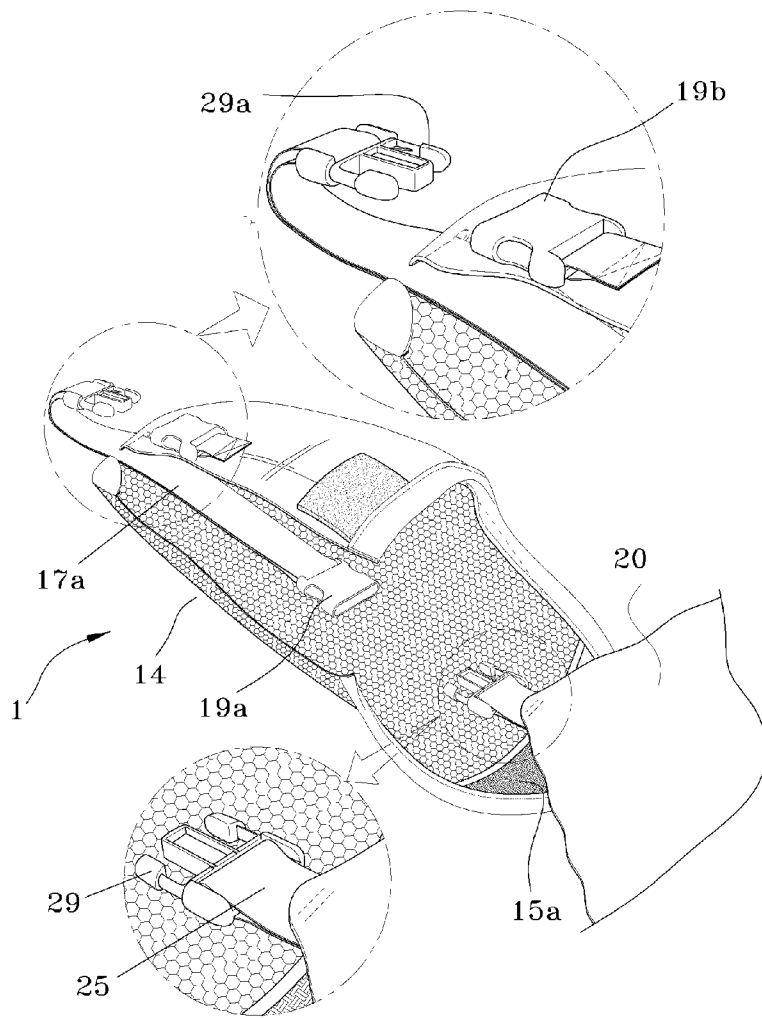
[Fig. 10]



[Fig. 11]



[Fig. 12]



INTERNATIONAL SEARCH REPORT

International application No.
PCT/KR2007/003804**A. CLASSIFICATION OF SUBJECT MATTER****A47K 10/02(2006.01)i**

According to International Patent Classification (IPC) or to both national classification and IPC

B. FIELDS SEARCHED

Minimum documentation searched (classification system followed by classification symbols)

IPC 8: A47K 10/02, A47G 9/06, A45F 4/06, A45C 11/38

Documentation searched other than minimum documentation to the extent that such documents are included in the fields searched

Korean and Japanese Utility Models and applications for Utility Model since 1975

Electronic data base consulted during the international search (name of data base and, where practicable, search terms used)

eKIPASS (KIPO internal) & keywords : "towel", "bag", and "pocket"

C. DOCUMENTS CONSIDERED TO BE RELEVANT

Category*	Citation of document, with indication, where appropriate, of the relevant passages	Relevant to claim No.
A	US 2005-0071920 A1 (RANDY HIGASHI) 7 April 2005 See column 2, line 41 - column 5, line 56 and figures 1 to 13e.	1 - 11
A	FR 2828074 A1 (RUBINO JOSEPH) 7 February 2003 See claims 1 to 3 and figures 1 to 2.	1- 11
A	KR 20-1986-14397 U (KO, BYUNG-SUNG) 8 December 1986 See claim1 and figures 1 to 4.	1- 11
A	KR 10-1991-0007469 A (SONY CO., LTD.) 20 May 1991 See claim1 and figures 1 to 2.	3

 Further documents are listed in the continuation of Box C. See patent family annex.

* Special categories of cited documents:

"A" document defining the general state of the art which is not considered to be of particular relevance

"E" earlier application or patent but published on or after the international filing date

"L" document which may throw doubts on priority claim(s) or which is cited to establish the publication date of citation or other special reason (as specified)

"O" document referring to an oral disclosure, use, exhibition or other means

"P" document published prior to the international filing date but later than the priority date claimed

"T" later document published after the international filing date or priority date and not in conflict with the application but cited to understand the principle or theory underlying the invention

"X" document of particular relevance; the claimed invention cannot be considered novel or cannot be considered to involve an inventive step when the document is taken alone

"Y" document of particular relevance; the claimed invention cannot be considered to involve an inventive step when the document is combined with one or more other such documents, such combination being obvious to a person skilled in the art

"&" document member of the same patent family

Date of the actual completion of the international search

08 NOVEMBER 2007 (08.11.2007)

Date of mailing of the international search report

08 NOVEMBER 2007 (08.11.2007)

Name and mailing address of the ISA/KR

Korean Intellectual Property Office
920 Dunsan-dong, Seo-gu, Daejeon 302-701,
Republic of Korea

Facsimile No. 82-42-472-7140

Authorized officer

KIM, Jin Young

Telephone No. 82-42-481-8220



INTERNATIONAL SEARCH REPORT

Information on patent family members

International application No.

PCT/KR2007/003804

Patent document cited in search report	Publication date	Patent family member(s)	Publication date
US 20050071920 A1	07.04.2005	None	
FR 2828074 A1	07.02.2003	None	
KR 20-1986-14397 U	08.12.1986	None	
KR 10-1991-0007469 A	20.05.1991	None	