



US00D501313S

(12) **United States Design Patent**
Kim

(10) **Patent No.:** **US D501,313 S**

(45) **Date of Patent:** **** Feb. 1, 2005**

(54) **PURSE**

(75) **Inventor:** **Yun S. Kim, Fayetteville, NC (US)**

(73) **Assignee:** **Bethel International, Inc., Fayetteville, NC (US)**

(**) **Term:** **14 Years**

(21) **Appl. No.:** **29/207,471**

(22) **Filed:** **Jun. 14, 2004**

(51) **LOC (7) Cl. 03-01**

(52) **U.S. Cl. D3/238**

(58) **Field of Search** D3/232, 233, 234,
D3/238, 240, 241, 243, 244, 245, 246,
303, 315, 316; D9/305; 150/100, 197, 110,
118, 900, 902, 903; 190/100, 109, 112,
113, 115, 119; 383/12, 29, 26, 30, 31, 205,
206, 40, 42, 70, 71, 72, 75, 76, 78, 79,
81, 907

(56) **References Cited**

U.S. PATENT DOCUMENTS

D179,089 S	10/1956	Lehne	D3/238
2,999,522 A	9/1961	Schlumbohm	150/28
D209,863 S *	1/1968	Menschik	D3/303
4,153,089 A	5/1979	Veilleux	150/7
D254,341 S *	3/1980	Sacks	D3/238
D277,335 S	1/1985	Lieberman	D3/44
D315,984 S	4/1991	Fowler	D3/71
5,427,453 A *	6/1995	Cloessner	190/109
5,810,166 A *	9/1998	Weinreb	190/903

D422,405 S *	4/2000	du Sartel	D3/243
D468,527 S	1/2003	Nevins	D3/246
D472,045 S *	3/2003	Nieves	D3/233
2003/0196851 A1	10/2003	Cowgill et al.	181/178

FOREIGN PATENT DOCUMENTS

JP 2003292063 10/2003

* cited by examiner

Primary Examiner—Louis S. Zarfes

Assistant Examiner—Monica A. Weingart

(74) *Attorney, Agent, or Firm*—Myers Bigel Sibley & Sajovec

(57) **CLAIM**

The ornamental design for a purse, as shown and described.

DESCRIPTION

FIG. 1 is a perspective view of a purse, showing my new design;

FIG. 2 is a side elevational view thereof;

FIG. 3 is a top plan view thereof;

FIG. 4 is a bottom plan view thereof;

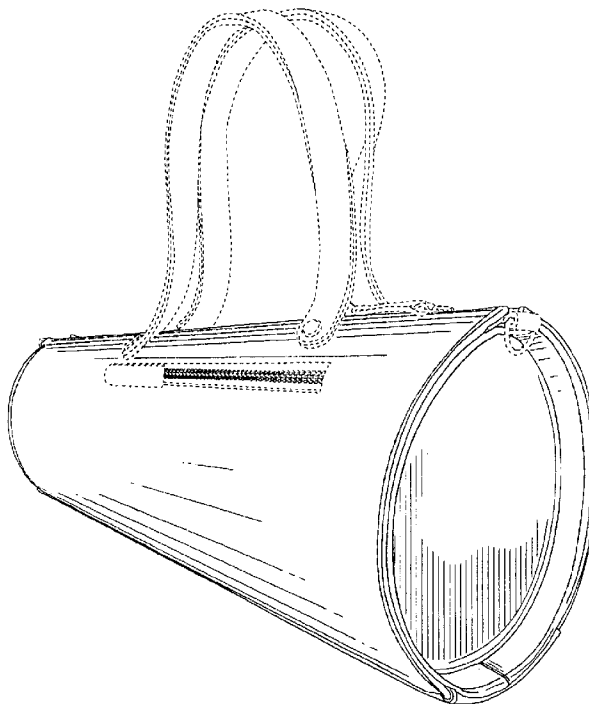
FIG. 5 is a side elevational view thereof, opposite that shown in FIG. 2;

FIG. 6 is an end view thereof; and,

FIG. 7 is an end view thereof, opposite that shown in FIG. 6.

The broken lines shown herein are for illustrative purposes only and form no part of the claimed design.

1 Claim, 7 Drawing Sheets



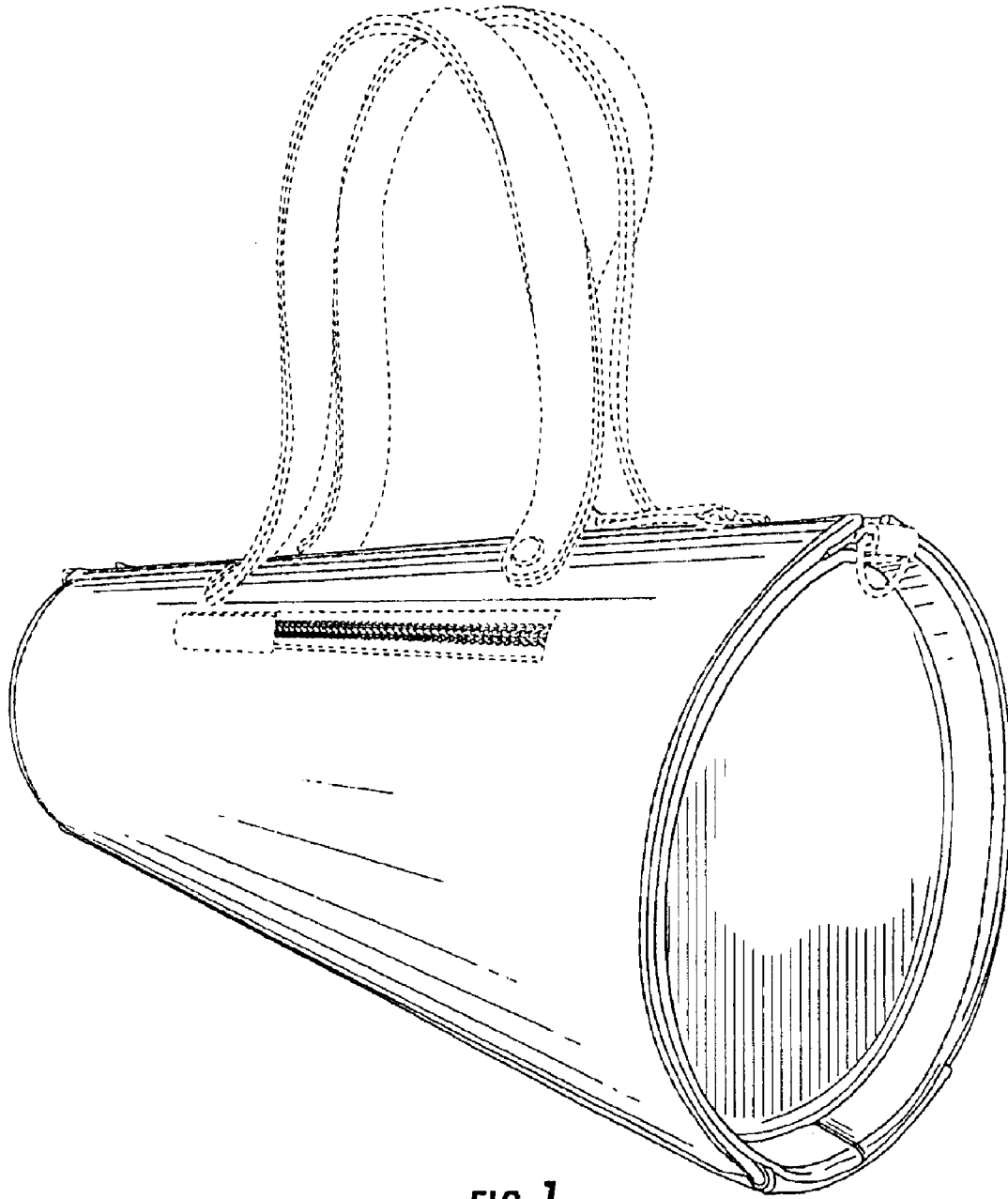


FIG. 1

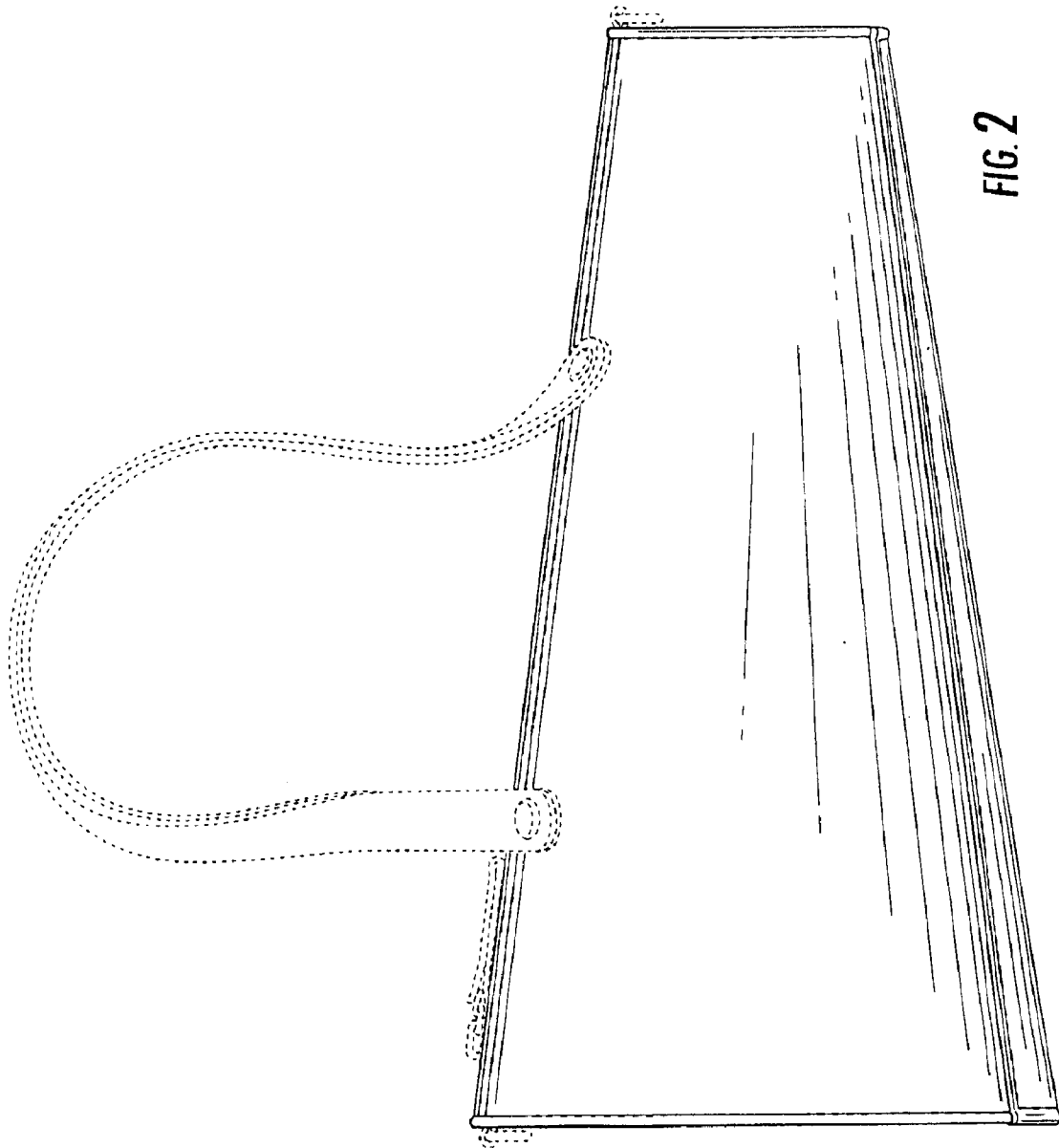


FIG. 2

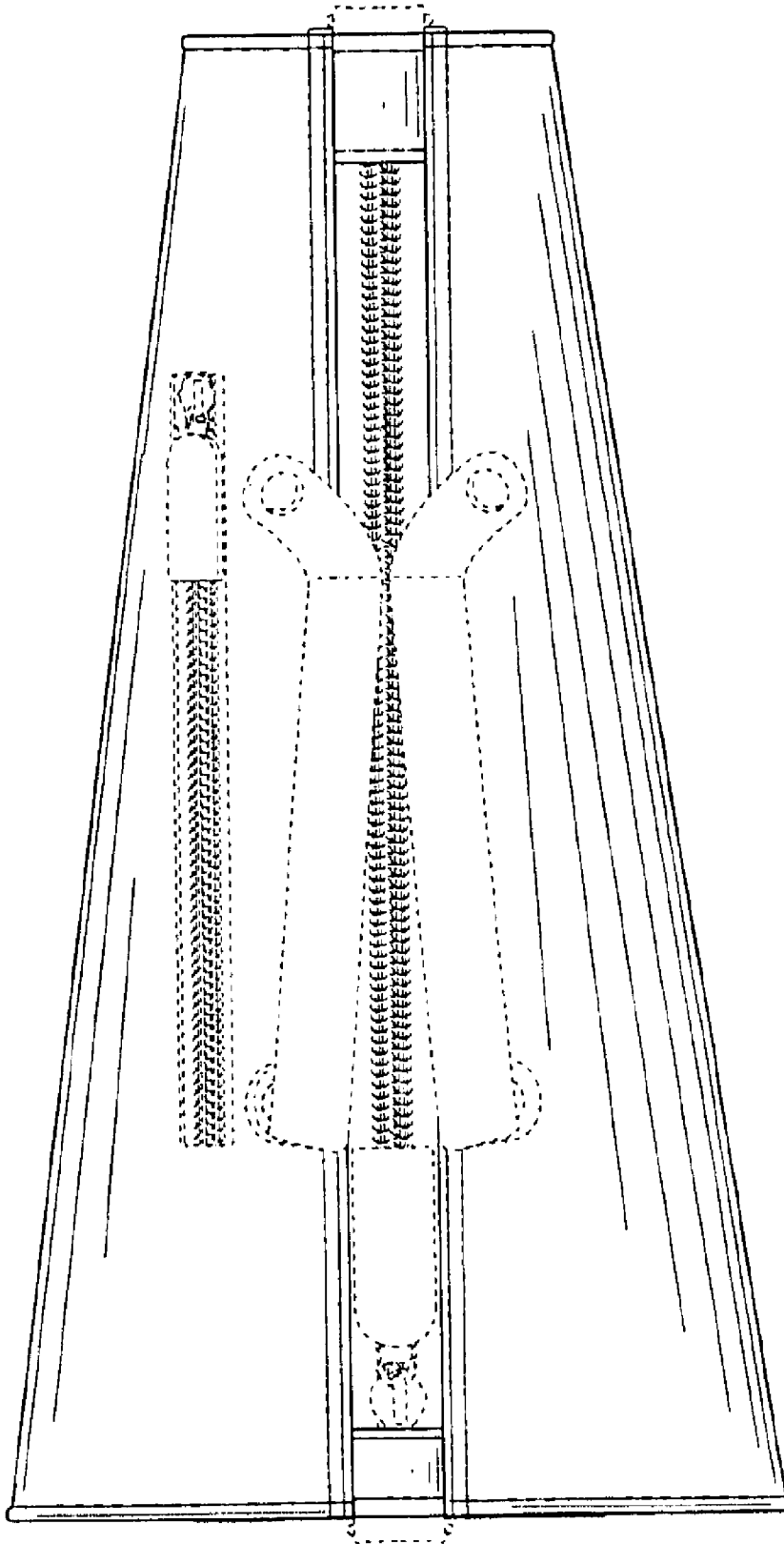


FIG. 3

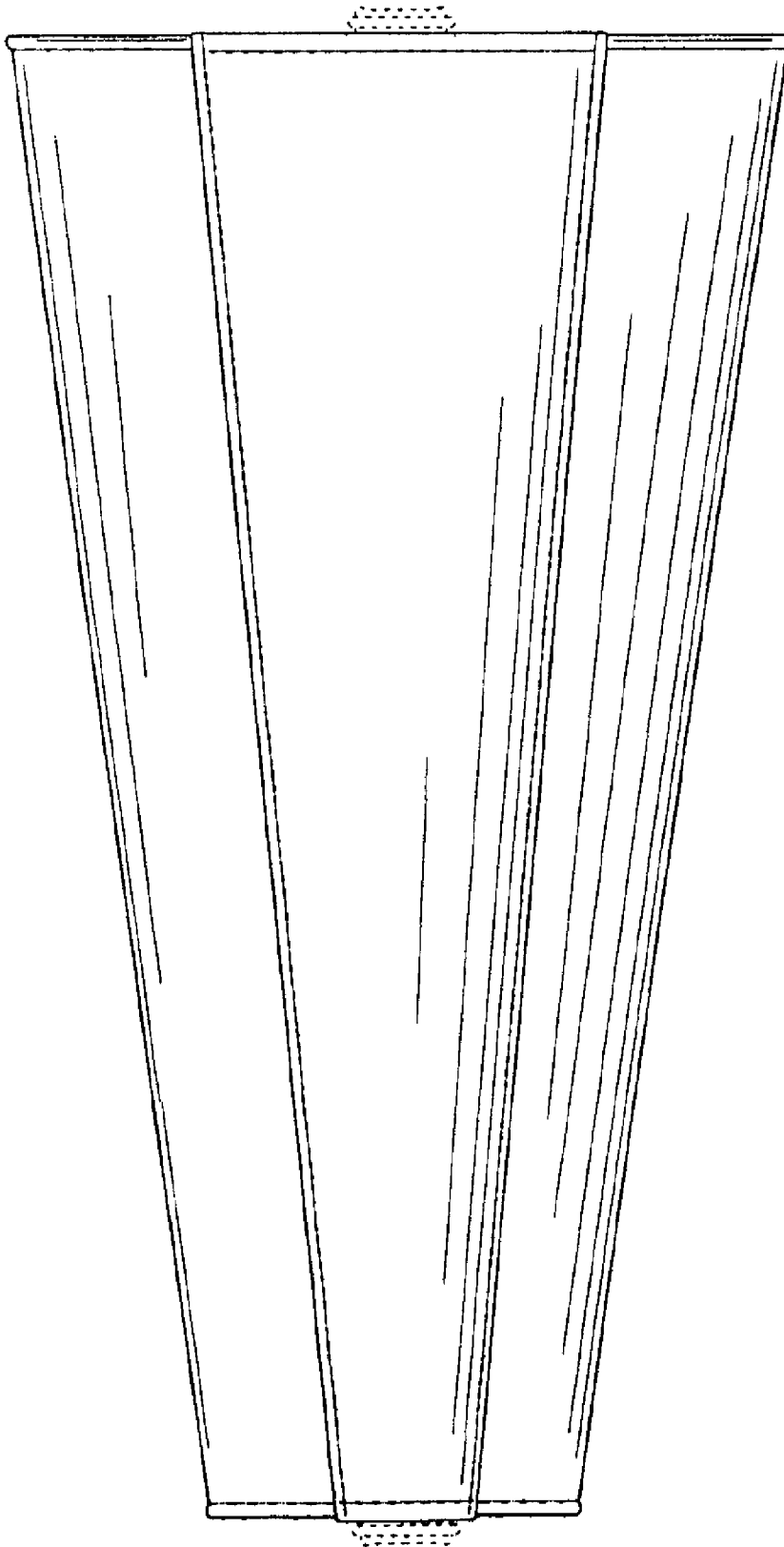


FIG. 4

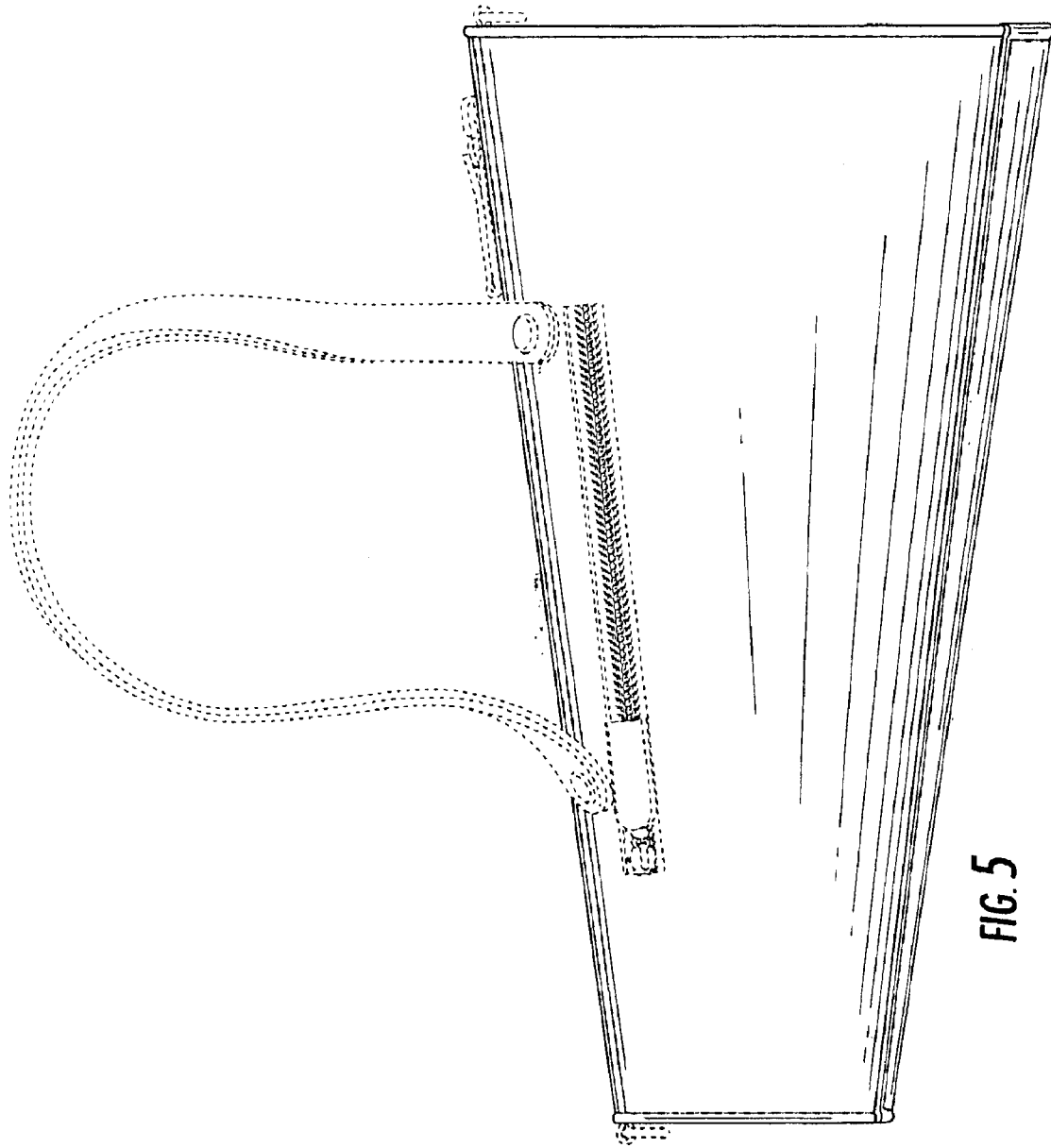


FIG. 5

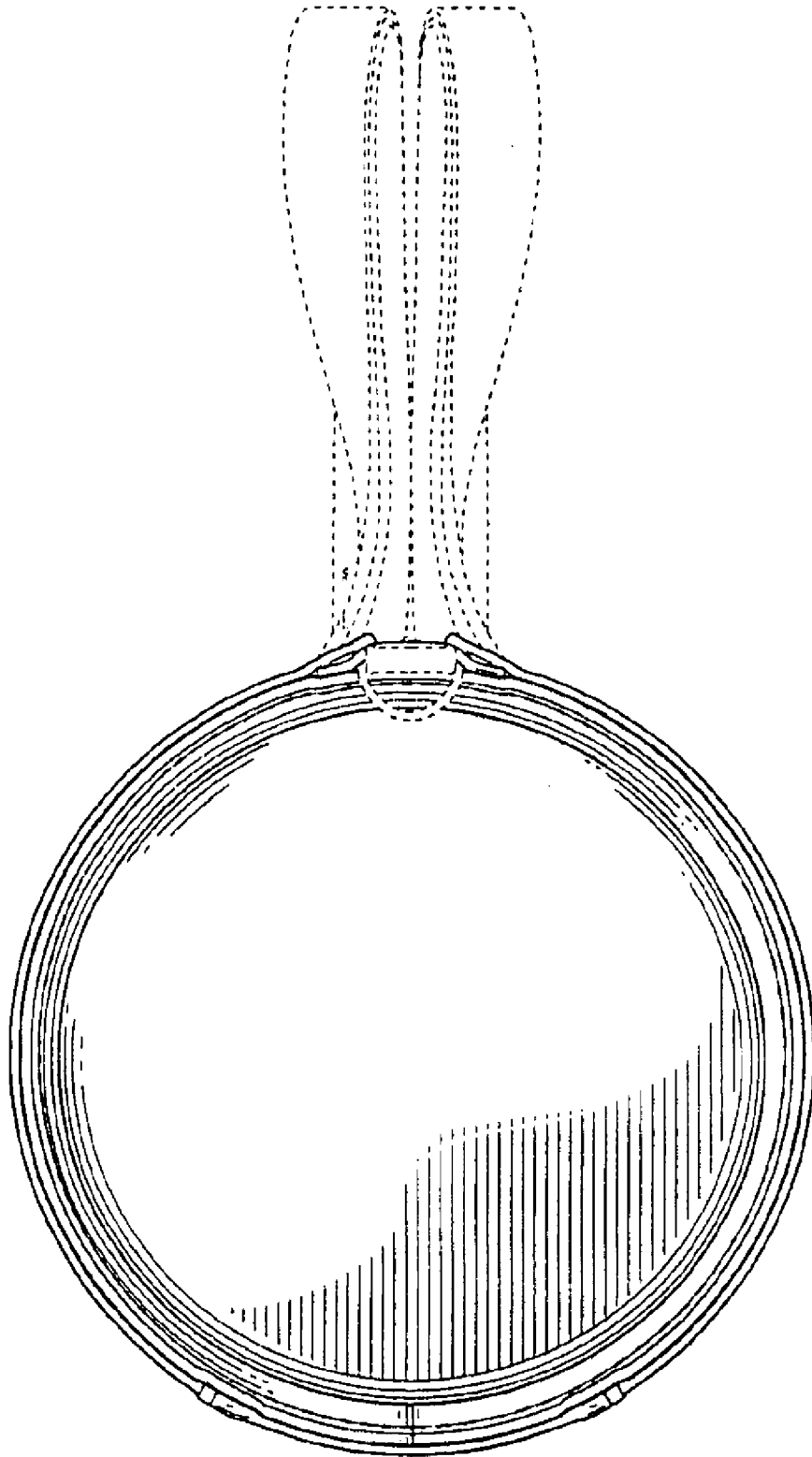


FIG. 6

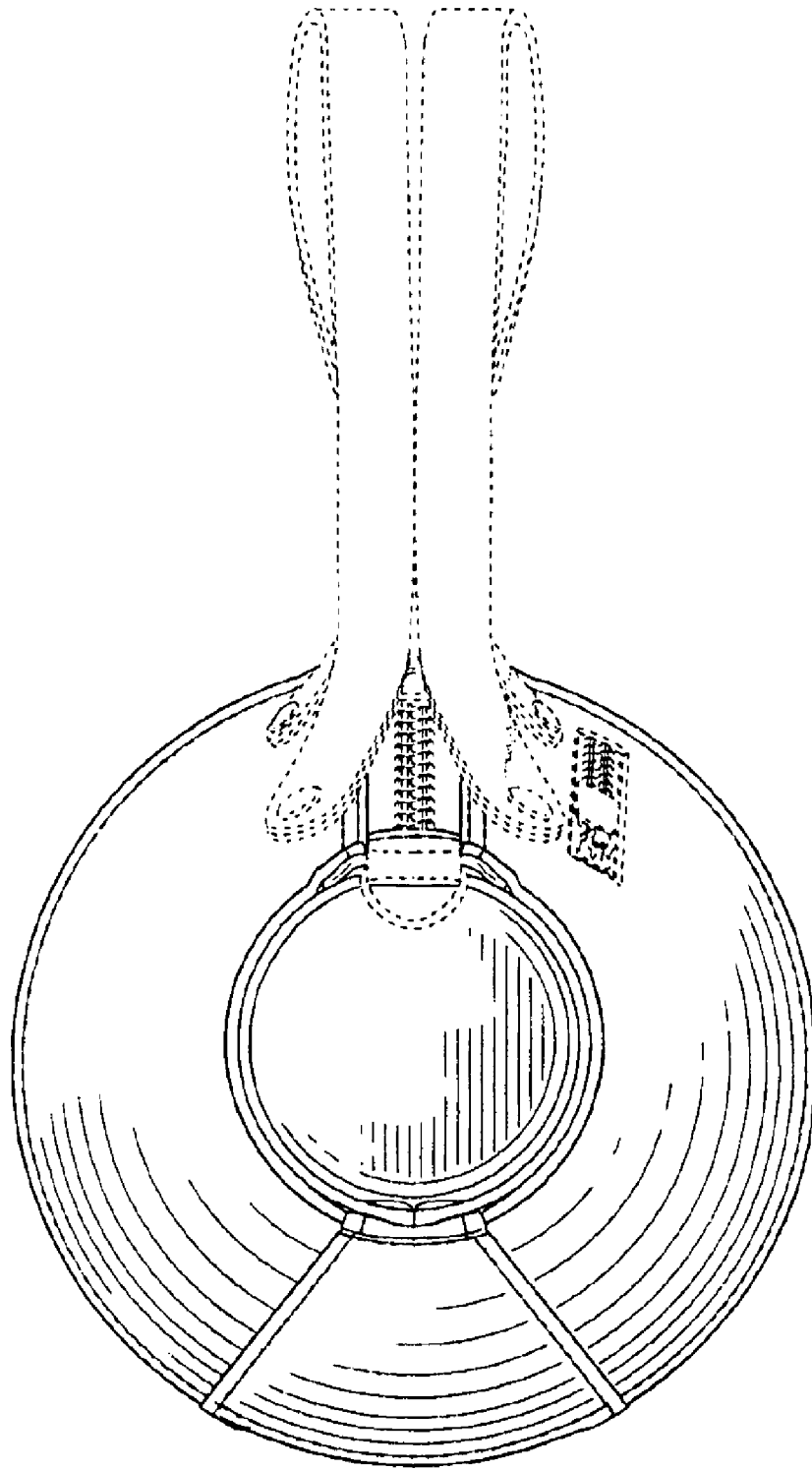


FIG. 7