



US00D375330S

United States Patent [19]

Ritzman

[11] Patent Number: **Des. 375,330**

[45] Date of Patent: ****Nov. 5, 1996**

[54] **PUZZLE**

[76] Inventor: **Jerry Ritzman**, 4326 S. 390 East,
Murray, Utah 84107

[**] Term: **14 Years**

[21] Appl. No.: **19,513**

[22] Filed: **Mar. 3, 1994**

[52] U.S. Cl. **D21/107; D21/104**

[58] Field of Search **D21/104, 107;**
273/153 R, 156, 157 R, 160

[56] **References Cited**

U.S. PATENT DOCUMENTS

D. 221,449	8/1971	Taylor	D21/104
D. 342,103	12/1993	Wong	D21/107
803,059	10/1905	Hill	273/160
1,208,181	6/1918	McEleveen	.	
1,542,148	6/1925	Kramariuk	273/160

2,783,046 2/1987 Lien .
4,335,165 6/1982 Powers .
4,880,238 11/1989 Derouin .

Primary Examiner—Dominic Simone
Attorney, Agent, or Firm—Thorpe, North & Western, L.L.P.

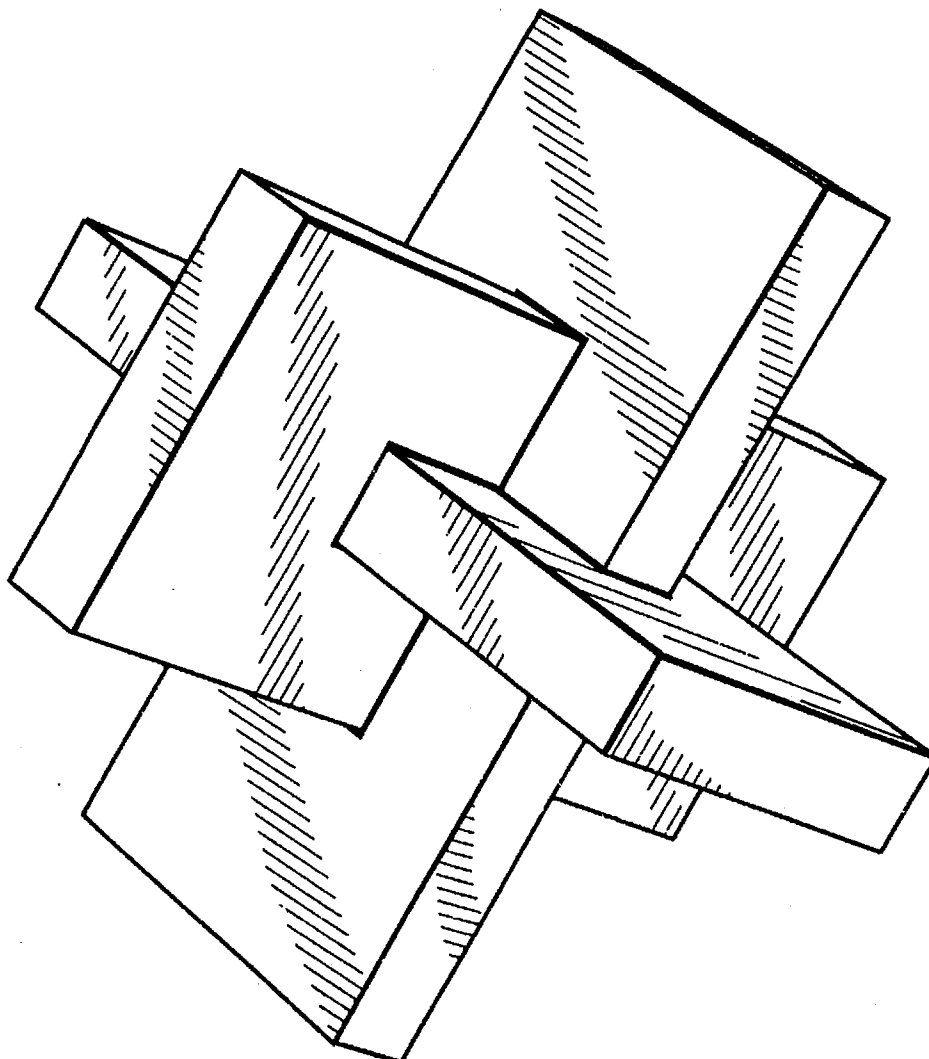
[57] **CLAIM**

The ornamental design for a puzzle, as shown and described.

DESCRIPTION

FIG. 1 is a perspective view of the puzzle;
FIG. 2 is a top view thereof;
FIG. 3 is a bottom view thereof;
FIG. 4 is an end view thereof;
FIG. 5 is a reverse end view thereof;
FIG. 6 is a side view thereof; and,
FIG. 7 is a reverse side view thereof.

1 Claim, 3 Drawing Sheets



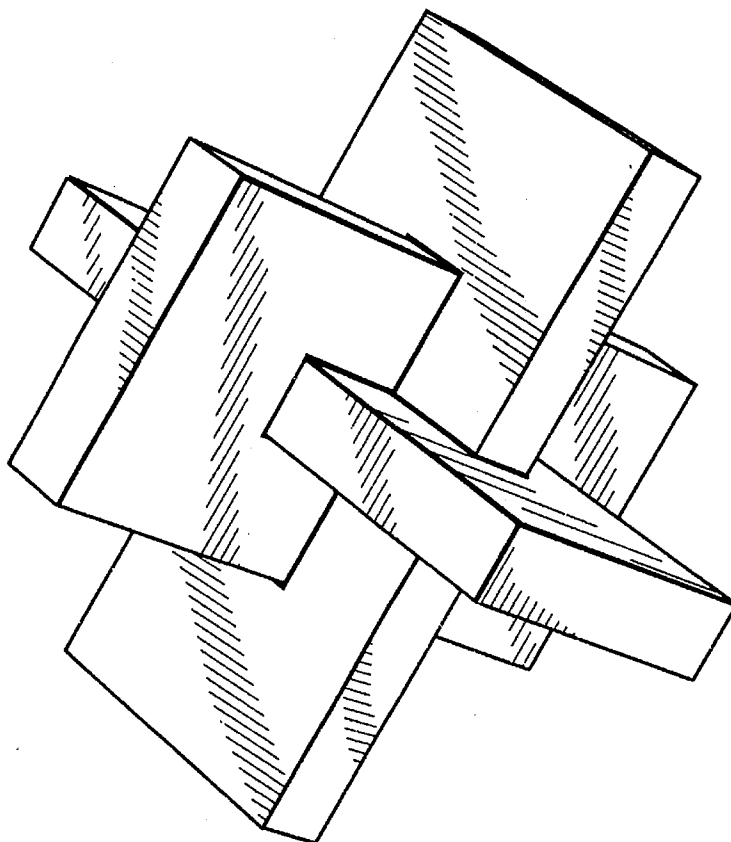


Fig. 1

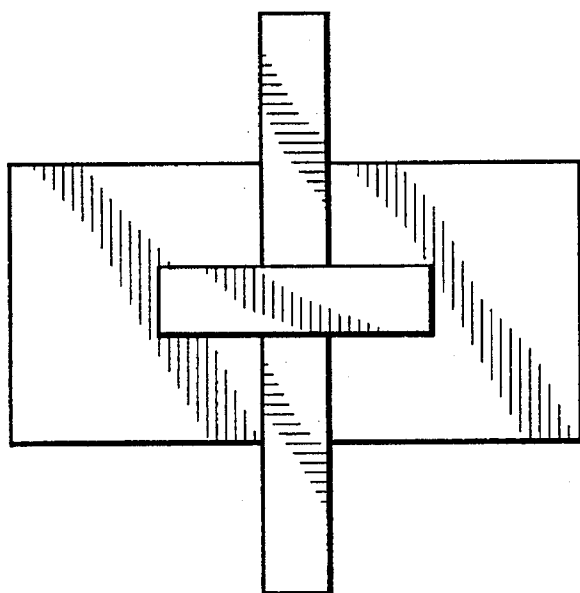


Fig. 2

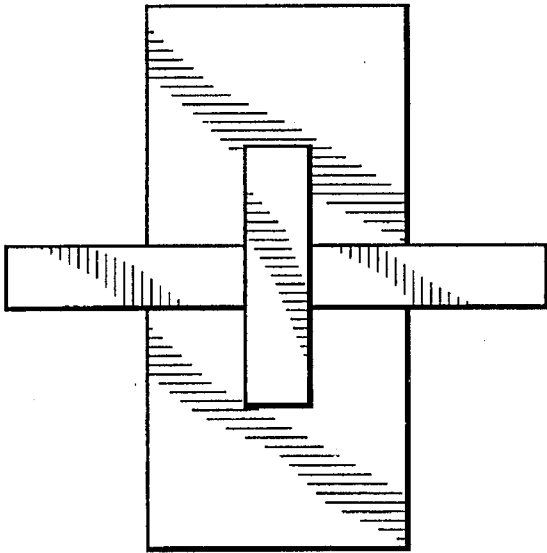


Fig. 3

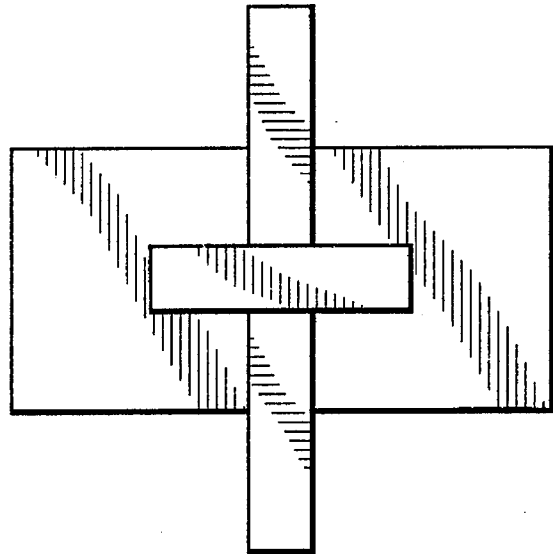


Fig. 4

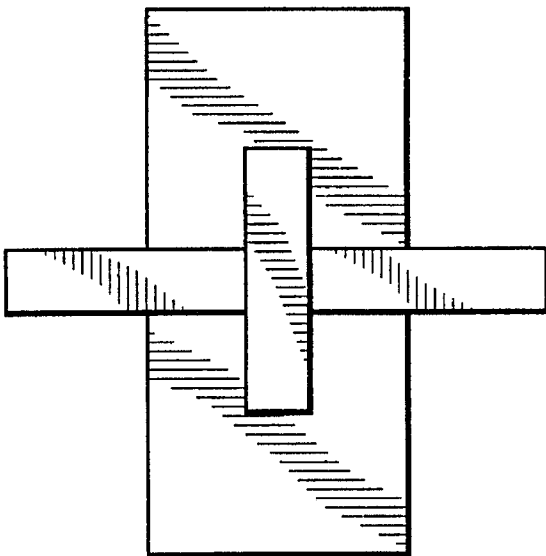


Fig. 5

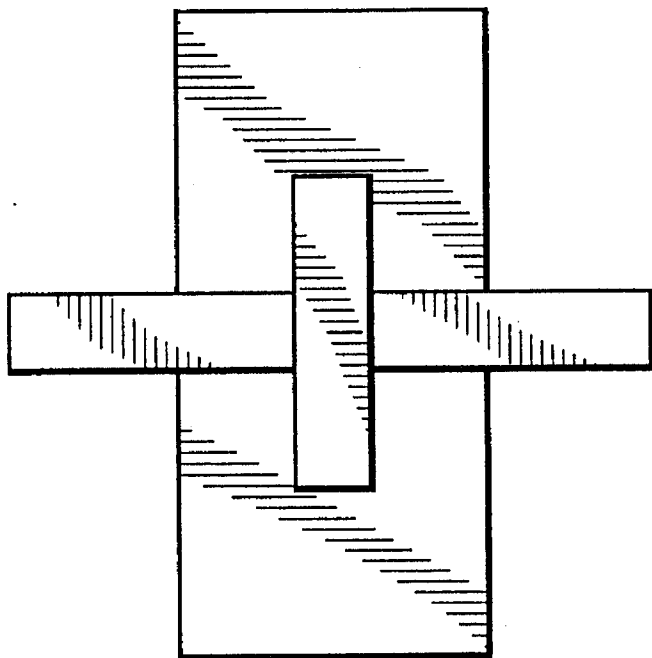


Fig. 6

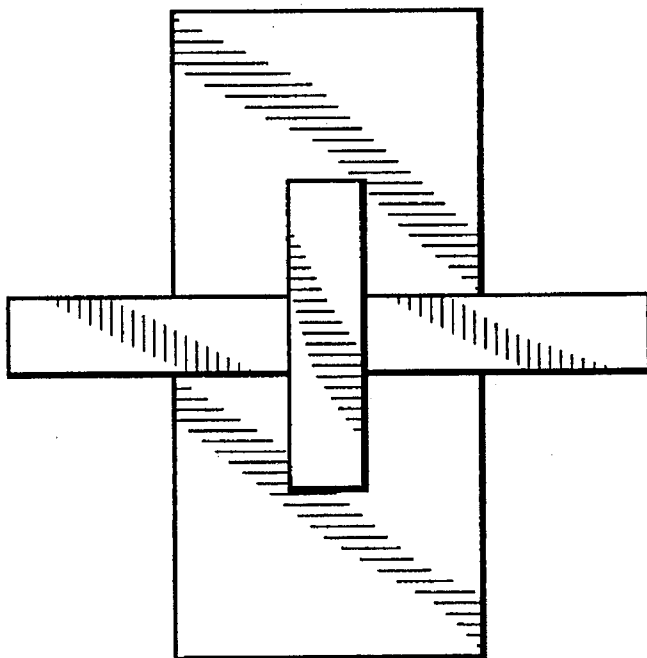


Fig. 7