



US00D761420S

(12) **United States Design Patent**
Hayamizu

(10) **Patent No.:** **US D761,420 S**

(45) **Date of Patent:** **** Jul. 12, 2016**

(54) **ENDOSCOPE SUCTION VALVE**
(71) Applicant: **HOYA CORPORATION**, Tokyo (JP)
(72) Inventor: **Eiji Hayamizu**, Tokyo (JP)

6,786,865 B2 * 9/2004 Dhindsa A61B 1/00068
600/156

D498,846 S 11/2004 Hayamizu et al.
D519,632 S * 4/2006 Bayron D24/110.6

(Continued)

FOREIGN PATENT DOCUMENTS

CN 300810548 S 7/2008
CN 301642454 S 8/2011

(Continued)

OTHER PUBLICATIONS

FujiFilm SB-602 User Manual, issued by FujiFilm Corporation on Aug. 30, 2010 (1st Edition) and Oct. 29, 2010 (2nd edition), 2 pages.

(Continued)

Primary Examiner — David Muller

(74) *Attorney, Agent, or Firm* — Faegre Baker Daniels LLP

(57) **CLAIM**

The ornamental design for an endoscope suction valve, as shown and described.

DESCRIPTION

FIG. 1 is a front, top, and right side perspective view of an endoscope suction valve showing my new design; FIG. 2 is a rear, bottom, and left side perspective view thereof; FIG. 3 is a front view thereof; FIG. 4 is a rear view thereof; FIG. 5 is a top plan view thereof; FIG. 6 is a bottom plan view thereof; FIG. 7 is a right side view thereof; and, FIG. 8 is a left side view thereof.

The features shown in broken lines in the drawings depict environmental subject matter only and form no part of the claimed design. The dash-dotted lines denote the boundary of the claim and form no part of the claimed design. Portions of the article not visible in any drawing form no part of the claimed design.

1 Claim, 8 Drawing Sheets

(73) Assignee: **Hoya Corporation**, Tokyo (JP)

(**) Term: **14 Years**

(21) Appl. No.: **29/513,110**

(22) Filed: **Dec. 26, 2014**

(30) **Foreign Application Priority Data**

Jun. 30, 2014 (JP) 2014-014334

(51) **LOC (10) Cl.** **24-02**

(52) **U.S. Cl.**

USPC **D24/129**

(58) **Field of Classification Search**

USPC D24/127-131, 112-114, 133, 186;
606/181, 185; 604/264, 523-528, 272,
604/187, 158, 164.01-164.11, 181, 184,
604/227; 600/101, 139, 143; 128/200.24,
128/207.14, 207.15

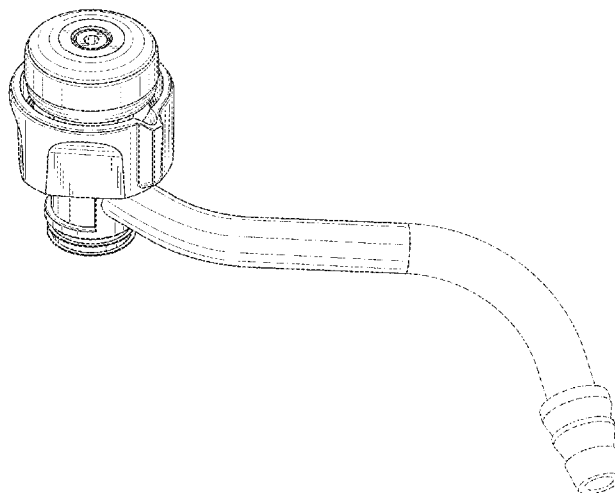
CPC . A61M 25/065; A61M 5/42; A61M 25/0612;
A61M 25/00; A61M 39/00; A61M 27/00;
A61M 25/0043; A61M 25/0067; A61M
25/0097; A61F 2/958

See application file for complete search history.

(56) **References Cited**

U.S. PATENT DOCUMENTS

D392,363 S 3/1998 Jonas
D437,934 S * 2/2001 Wilkinson D23/248
D468,015 S * 12/2002 Horppu D24/129
D481,124 S 10/2003 Hayamizu
D486,910 S 2/2004 Hayamizu et al.
D493,529 S 7/2004 Hayamizu et al.



(56)

References Cited

U.S. PATENT DOCUMENTS

D529,980 S 10/2006 Rieber
 D535,393 S 1/2007 Pilvisto et al.
 D629,099 S * 12/2010 Kilani D24/133
 D634,007 S * 3/2011 Zinger D24/129
 D638,931 S * 5/2011 Graham D24/127
 D664,649 S * 7/2012 Becker D24/133
 D667,106 S * 9/2012 Puhasmagi D24/112
 D673,674 S * 1/2013 Ho D24/129
 D675,729 S * 2/2013 Wang D24/108
 D675,732 S * 2/2013 Baid D24/129
 D718,443 S 11/2014 Yoshida et al.
 D718,444 S 11/2014 Yoshida et al.
 D718,445 S 11/2014 Yoshida et al.
 D718,447 S 11/2014 Yoshida et al.
 D736,914 S * 8/2015 Schultz D24/129
 D736,915 S * 8/2015 Schultz D24/129
 2007/0038024 A1 2/2007 Nakamura et al.
 2009/0216084 A1 8/2009 Yamane

FOREIGN PATENT DOCUMENTS

CN 303219022 S 5/2015
 JP D7761591 A 5/1990

JP D814756 A 7/1991
 JP D865437 A 3/1993
 WO 2011013453 A1 2/2011
 WO 2014155793 A1 10/2014
 WO 2014192386 A1 12/2014

OTHER PUBLICATIONS

Hoya EB-1570AK and EB 1970AK User manual, issued by Hoya Corporation on Aug. 15, 2012 (7th edition) and Jan. 25, 2013 (8 edition), 4 pages.
 Olympus Maj-209 User Manual, issued by Olympus Medical Systems Corp. on Feb. 27, 2007 (10th Edition) and Feb. 3, 2009 (11th edition), 4 pages.
 U.S. Appl. No. 29/513,105, filed Dec. 26, 2014.
 U.S. Appl. No. 29/513,107, filed Dec. 26, 2014.
 U.S. Appl. No. 29/513,109, filed Dec. 26, 2014.
 Wikimedia Commons. <URL: https://commons.wikimedia.org/wiki/File:Shoehorn_20101109.jpg>. Nov. 9, 2010). Shoehorn.

* cited by examiner

FIG. 1

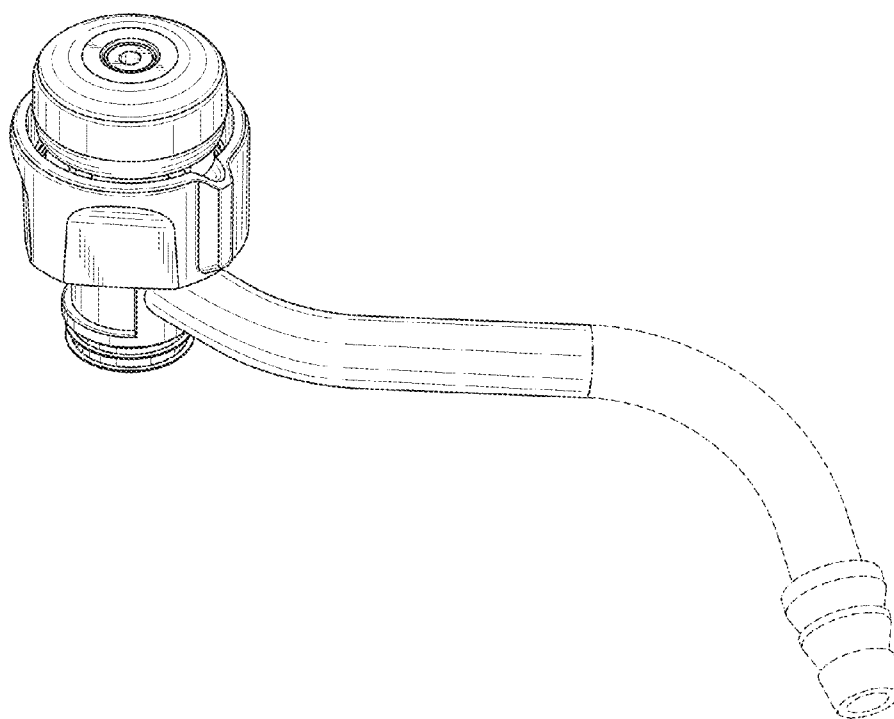


FIG. 2

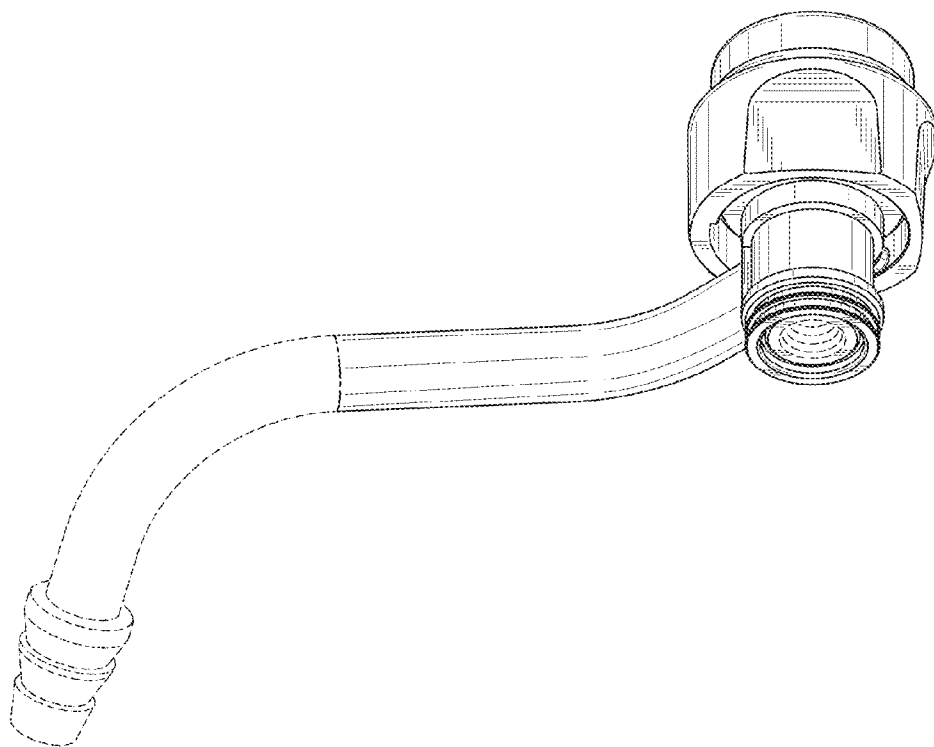


FIG. 3

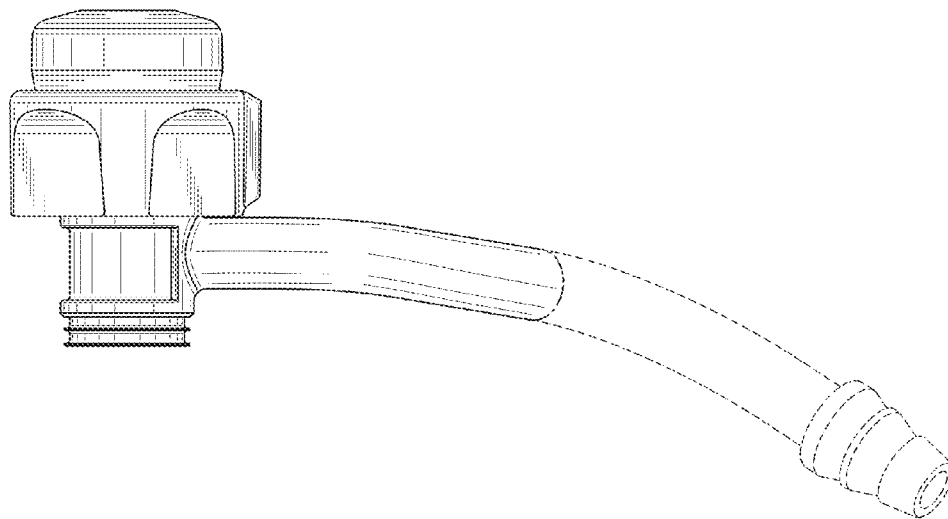


FIG. 4

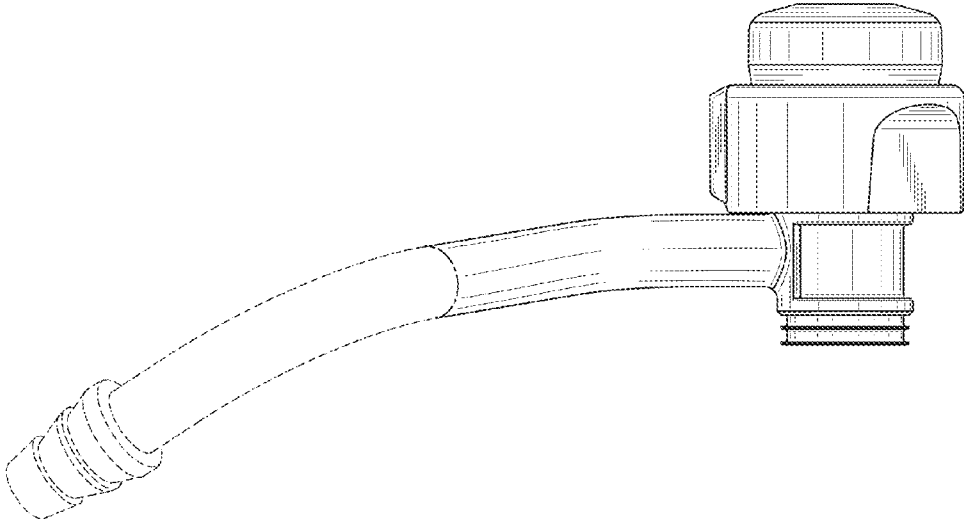


FIG. 5

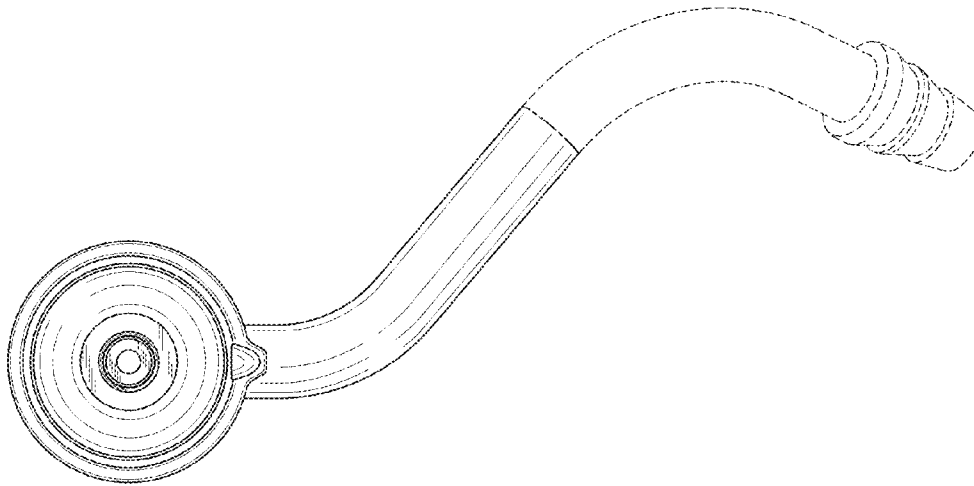


FIG. 6

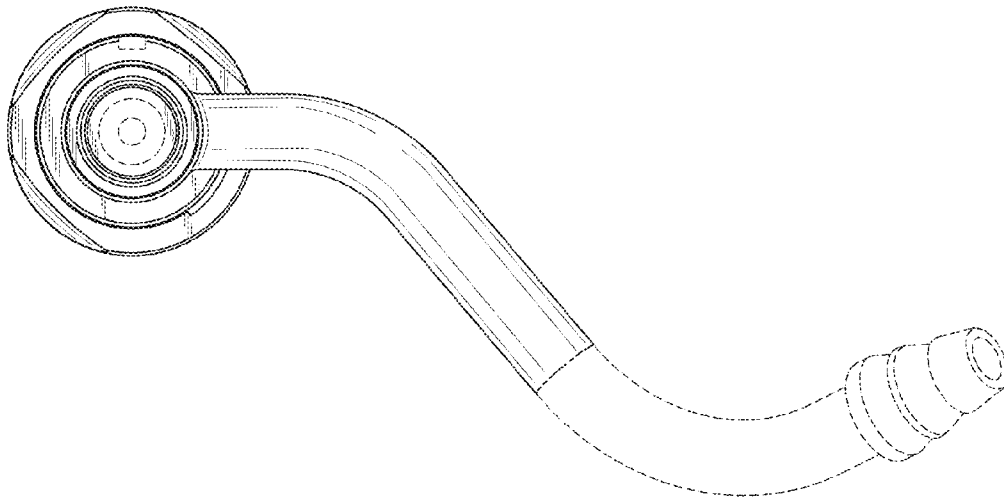


FIG. 7

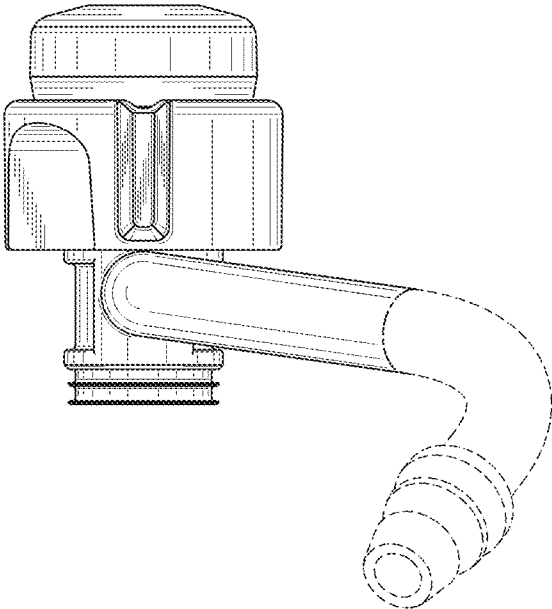


FIG. 8

