

(19) World Intellectual Property Organization  
International Bureau



(43) International Publication Date  
6 August 2009 (06.08.2009)

(10) International Publication Number  
**WO 2009/097100 A3**

- (51) **International Patent Classification:**  
*G06F 3/06* (2006.01)      *G06F 3/00* (2006.01)  
*G06F 15/00* (2006.01)    *H04L 12/00* (2006.01)  
*G06F 12/00* (2006.01)
- (21) **International Application Number:**  
PCT/US2009/000487
- (22) **International Filing Date:**  
26 January 2009 (26.01.2009)
- (25) **Filing Language:** English
- (26) **Publication Language:** English
- (30) **Priority Data:**  
12/011,608      28 January 2008 (28.01.2008)      US
- (71) **Applicant (for all designated States except US):** VNS PORTFOLIO LLC [US/US]; 20400 Stevens Creek Blvd., Fifth Floor, Cupertino, CA 95014 (US).
- (72) **Inventors; and**
- (75) **Inventors/Applicants (for US only):** GABLE, Melvin, G. [US/US]; 1035 Timerline Lane, Cowan Heights, CA 92705 (US). CHEN, Jian [US/US]; 6172 Sierra Palos Rd., Irvine, CA 92603 (US).
- (74) **Agent:** HENNEMAN, Larry, E., Jr.; Henneman & Associates, PLC, 714 W. Michigan Ave., Three Rivers, MI 49093 (US).

- (81) **Designated States (unless otherwise indicated, for every kind of national protection available):** AE, AG, AL, AM, AO, AT, AU, AZ, BA, BB, BG, BH, BR, BW, BY, BZ, CA, CH, CN, CO, CR, CU, CZ, DE, DK, DM, DO, DZ, EC, EE, EG, ES, FI, GB, GD, GE, GH, GM, GT, HN, HR, HU, ID, IL, IN, IS, JP, KE, KG, KM, KN, KP, KR, KZ, LA, LC, LK, LR, LS, LT, LU, LY, MA, MD, ME, MG, MK, MN, MW, MX, MY, MZ, NA, NG, NI, NO, NZ, OM, PG, PH, PL, PT, RO, RS, RU, SC, SD, SE, SG, SK, SL, SM, ST, SV, SY, TJ, TM, TN, TR, TT, TZ, UA, UG, US, UZ, VC, VN, ZA, ZM, ZW.
- (84) **Designated States (unless otherwise indicated, for every kind of regional protection available):** ARIPO (BW, GH, GM, KE, LS, MW, MZ, NA, SD, SL, SZ, TZ, UG, ZM, ZW), Eurasian (AM, AZ, BY, KG, KZ, MD, RU, TJ, TM), European (AT, BE, BG, CH, CY, CZ, DE, DK, EE, ES, FI, FR, GB, GR, HR, HU, IE, IS, IT, LT, LU, LV, MC, MK, MT, NL, NO, PL, PT, RO, SE, SI, SK, TR), OAPI (BF, BJ, CF, CG, CI, CM, GA, GN, GQ, GW, ML, MR, NE, SN, TD, TG).

- Published:**
- with international search report (Art. 21(3))
  - before the expiration of the time limit for amending the claims and to be republished in the event of receipt of amendments (Rule 48.2(h))

[Continued on next page]

(54) **Title:** ACCESS CONTROL FOR PROTECTED AND CLEAR AV CONTENT ON SAME STORAGE DEVICE

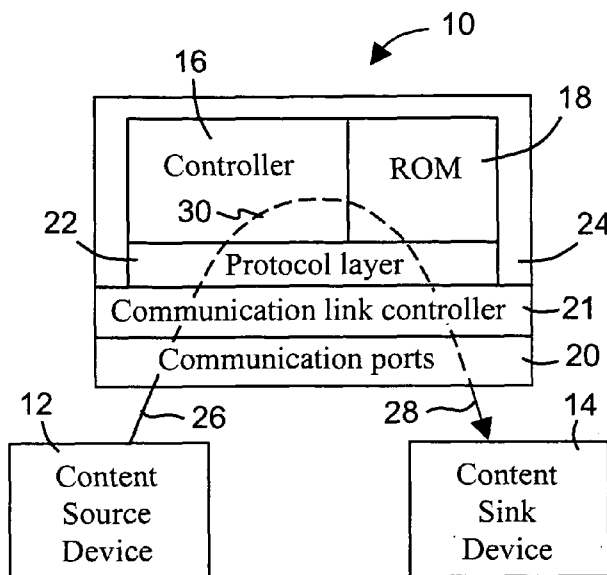


FIG. 1

(57) **Abstract:** A method and apparatus for storing both protected and clear data on a single storage device 34. The apparatus includes storage media 34 for storing digital material such as video, sound, pictures and text. The media is partitioned into protected 94 and unprotected areas 98. The apparatus further includes circuitry 10 for accessing, decrypting and encrypting data. This circuitry includes a controller 16 with associated ROM 18 for directing the controller 16 and communication ports 20 for connecting to a source of content 12 and a sink 14 for storage. The method includes partitioning a storage device into clear 98 and protected areas 94 and directing protected data to the protected area 94 and clear data to the clear area 98. One embodiment includes an encrypted directory in the protected area 94 and a conventional directory in the clear area 98.

WO 2009/097100 A3

**(88)** Date of publication of the international search report:  
15 October 2009

INTERNATIONAL SEARCH REPORT

International application No.  
PCT/US2009/000487

**A. CLASSIFICATION OF SUBJECT MATTER**

*G06F 3/06(2006.01)i, G06F 15/00(2006.01)i, G06F 12/00(2006.01)i, G06F 3/00(2006.01)i, H04L 12/00(2006.01)i*

According to International Patent Classification (IPC) or to both national classification and IPC

**B. FIELDS SEARCHED**

Minimum documentation searched (classification system followed by classification symbols)  
IPC : G06F 3/06, G06F15/02,

Documentation searched other than minimum documentation to the extent that such documents are included in the fields searched  
Korean Utility models and applications for Utility models since 1975  
Japanese Utility models and applications for Utility models since 1975

Electronic data base consulted during the international search (name of data base and, where practicable, search terms used)  
e-KOMPASS(KIPO internal)

**C. DOCUMENTS CONSIDERED TO BE RELEVANT**

Category*	Citation of document, with indication, where appropriate, of the relevant passages	Relevant to claim No.
A	US20070124776 A1 (DOUGLAS L. WELK et al.) May 31, 2007. See Paragraph 9 - Paragraph 12; Paragraph 13 - Paragraph 15; Claims 1,5,6, and Figures 1,2,3.	1-18
A	US20030033254 A1 (TAKAHIRO TANAKA) Feb. 13, 2003. See Paragraph 49 - Paragraph 61; Paragraph 67 - Paragraph 77; Paragraph 109 - Paragraph 114; and Figures 1,2,6.	1-18
A	US20040218897 A1 (YOUICHI KUDOH) Nov. 4, 2004. See Paragraph 22 - Paragraph 28;and Figures 1,2.	1-18
A	KR1020070099493 A (INKA ENTWORKS, INC.) Oct. 9, 2007. See Paragraph 27 - Paragraph 28; Paragraph 32 - Paragraph 42; Paragraph 65 - Paragraph 70; and Figures 2,6,7.	1-18

Further documents are listed in the continuation of Box C.  See patent family annex.

\* Special categories of cited documents:

"A" document defining the general state of the art which is not considered to be of particular relevance

"E" earlier application or patent but published on or after the international filing date

"L" document which may throw doubts on priority claim(s) or which is cited to establish the publication date of citation or other special reason (as specified)

"O" document referring to an oral disclosure, use, exhibition or other means

"P" document published prior to the international filing date but later than the priority date claimed



"T" later document published after the international filing date or priority date and not in conflict with the application but cited to understand the principle or theory underlying the invention

"X" document of particular relevance; the claimed invention cannot be considered novel or cannot be considered to involve an inventive step when the document is taken alone

"Y" document of particular relevance; the claimed invention cannot be considered to involve an inventive step when the document is combined with one or more other such documents, such combination being obvious to a person skilled in the art

"&" document member of the same patent family

Date of the actual completion of the international search 21 AUGUST 2009 (21.08.2009)	Date of mailing of the international search report <b>25 AUGUST 2009 (25.08.2009)</b>
--	--

Name and mailing address of the ISA/KR  Korean Intellectual Property Office Government Complex-Daejeon, 139 Seonsa-ro, Seo-gu, Daejeon 302-701, Republic of Korea Facsimile No. 82-42-472-7140	Authorized officer PARK, SANG HYUN Telephone No. 82-42-481-8263 
--	--

**INTERNATIONAL SEARCH REPORT**

Information on patent family members

International application No.

**PCT/US2009/000487**

Patent document cited in search report	Publication date	Patent family member(s)	Publication date
US 2007-0124776 A1	31.05.2007	EP 1791318 A2	30.05.2007
-----			
US 2003-0033254 A1	13.02.2003	EP 1286515 A2 EP 1286515 A3 JP 2003-058453 A	26.02.2003 16.03.2005 28.02.2003
-----			
US 2004-0218897 A1	04.11.2004	JP 3861765 B2 JP 03-861765 B2 JP 2004-063032 A	20.12.2006 06.10.2006 26.02.2004
-----			
KR 10-2007-0099493 A	09.10.2007	None	
-----			