



US00D467295S

(12) **United States Design Patent** (10) **Patent No.:** **US D467,295 S**
Andrews et al. (45) **Date of Patent:** **** Dec. 17, 2002**

(54) **PEDESTAL FOR INSECT CONTROL STATION**

(75) Inventors: **Wayne N. Andrews**, Dighton, MA (US); **Lantz S. Crawley**, Pennington, NJ (US); **J. Roy Nelson**, Pennington, NJ (US); **Keith Woodruff**, Mountainside, NJ (US)

(73) Assignee: **Bugjammer, Inc.**, Pennington, NJ (US)

(**) Term: **14 Years**

(21) Appl. No.: **29/146,186**

(22) Filed: **Aug. 6, 2001**

(51) **LOC (7) Cl.** **22-05**

(52) **U.S. Cl.** **D22/122**

(58) **Field of Search** D22/122, 119, D22/123; 43/112, 113, 139, 114, 98, 120

(56) **References Cited**

U.S. PATENT DOCUMENTS

4,226,043	A	*	10/1980	Peterson	43/112
4,490,938	A	*	1/1985	Baker	43/114
4,907,366	A		3/1990	Balfour	43/132
5,205,064	A		4/1993	Nolen	43/112
D349,746	S	*	8/1994	De Yoreo	D22/122
D372,513	S	*	8/1996	Schneidmiller	D22/122
5,595,018	A	*	1/1997	Wilbanks	43/112
6,088,949	A		7/2000	Nicosia et al.	43/107
D431,857	S	*	10/2000	Christianson	D22/119
6,134,826	A		10/2000	Mah	43/112

* cited by examiner

Primary Examiner—Catherine R. Oliver

(74) *Attorney, Agent, or Firm*—Darby & Darby

(57) **CLAIM**

The ornamental design for a pedestal for insect control station, as shown and described.

DESCRIPTION

FIG. 1 is a perspective view of a pedestal for insect control station in accordance with the invention;

FIG. 2 is a front elevational view of the pedestal of FIG. 1;

FIG. 3 is a rear elevational view of the pedestal of FIG. 1;

FIG. 4 is a right-side elevational view of the pedestal of FIG. 1;

FIG. 5 is a top plan view of the pedestal of FIG. 1;

FIG. 6 is a bottom plan view of the pedestal of FIG. 1;

FIG. 7 is a perspective view of the pedestal of FIG. 1, showing an alternative arrangement now having a first decorative pattern supported thereon, the first decorative pattern comprising spaced indicia of varying width positioned about the pedestal;

FIG. 8 is a front elevational view of the pedestal of FIG. 7;

FIG. 9 is a rear elevational view of the pedestal of FIG. 7;

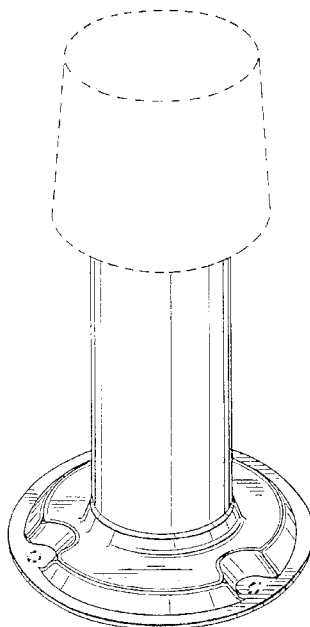
FIG. 10 is a right-side elevational view of the pedestal of FIG. 7;

FIG. 11 is a cylindrical projection view of a portion of the pedestal of FIG. 7, showing the first decorative pattern;

FIG. 12 is a perspective view of the pedestal of FIG. 1, showing a further arrangement in which a second decorative pattern is supported on the pedestal and comprises spaced indicia of uniform width positioned about the pedestal; and,

FIG. 13 is a cylindrical projection view of a portion of the pedestal of FIG. 12, showing the second decorative pattern. The broken lines showing of the resonator cover including its size and shape is to show the environment only and is not part of the claimed design. The broken lines showing of the holes are also to show the environment only and are not part of the claimed design.

1 Claim, 5 Drawing Sheets



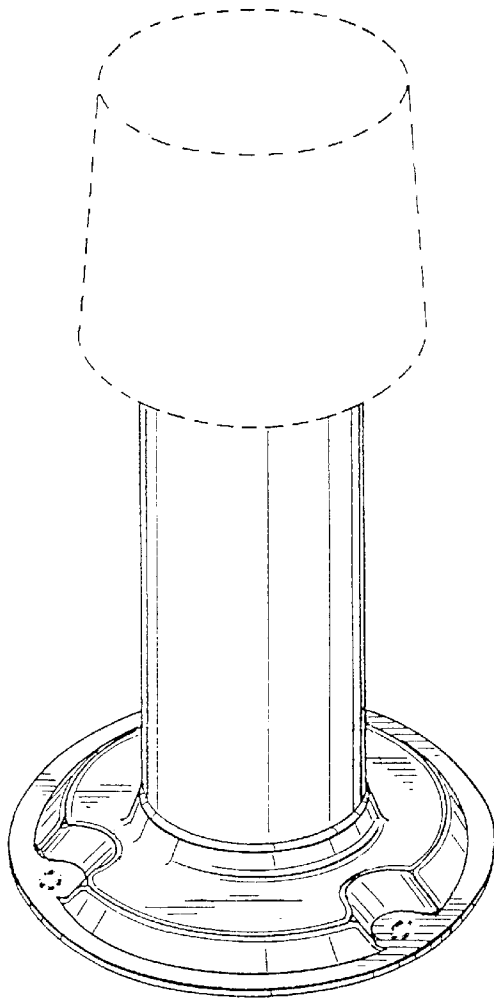


FIG. 1

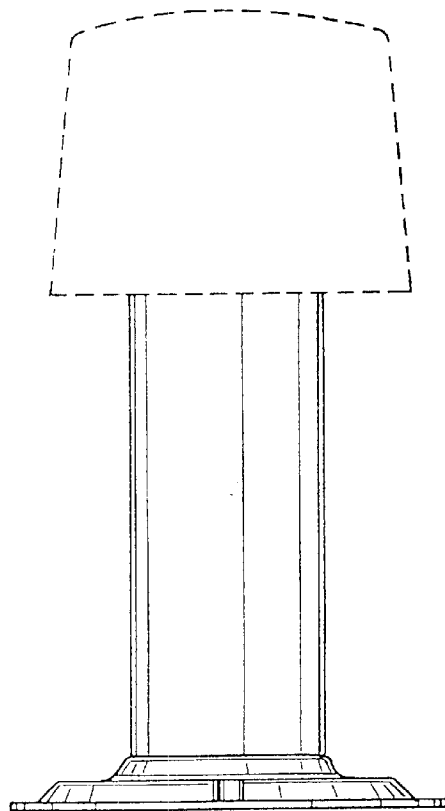


FIG. 2

FIG. 3

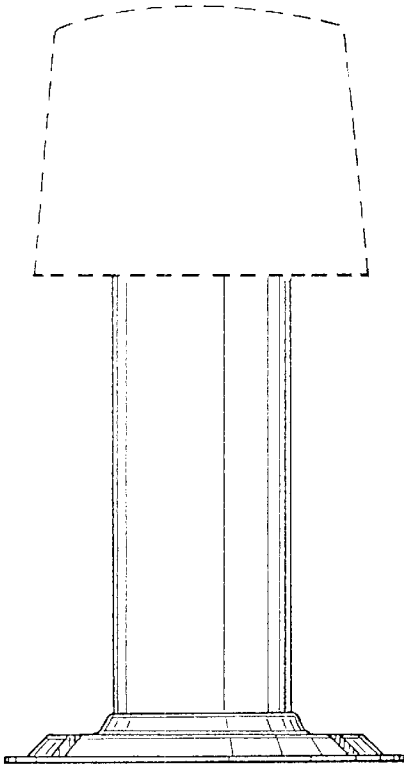


FIG. 5

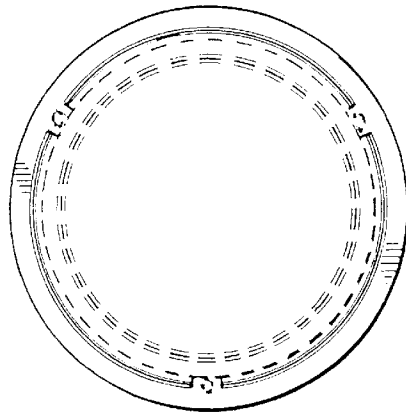


FIG. 4

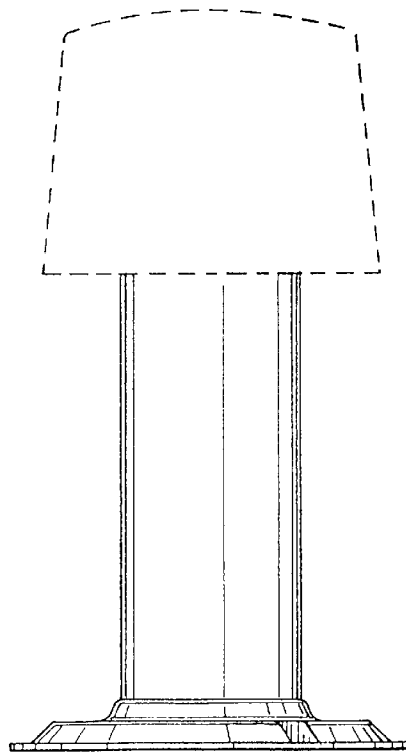
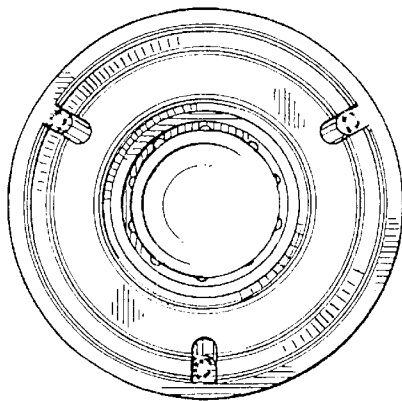


FIG. 6



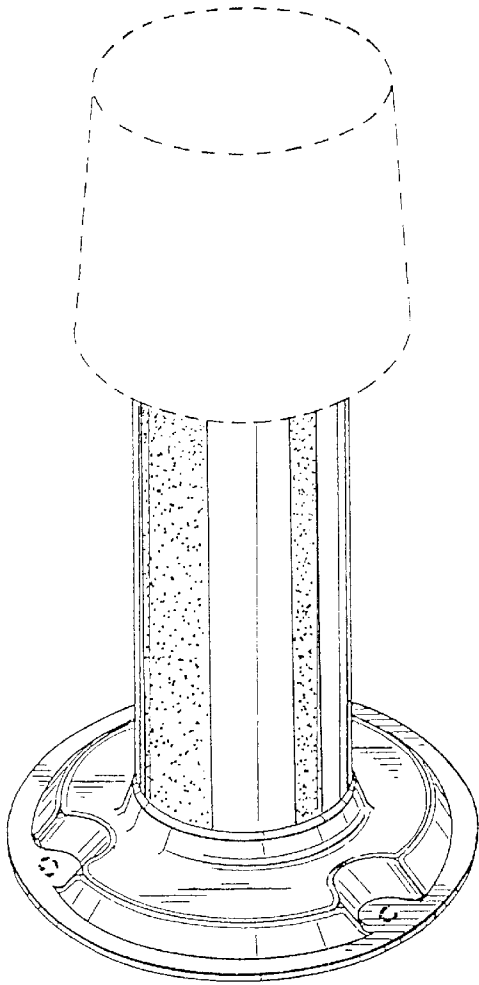


FIG. 7

FIG. 8

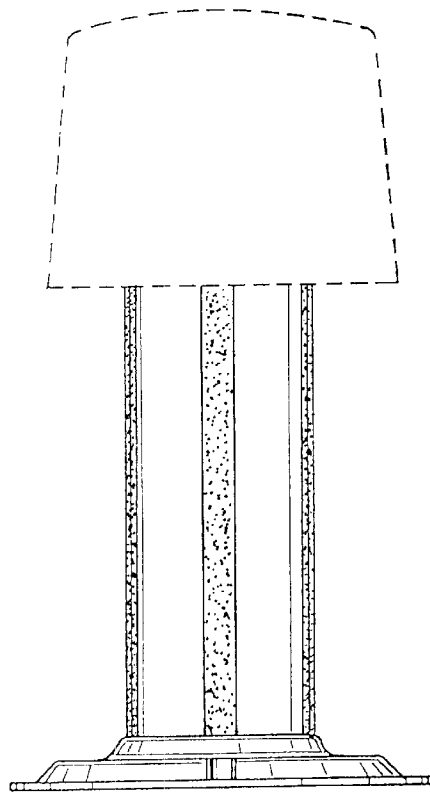


FIG. 9

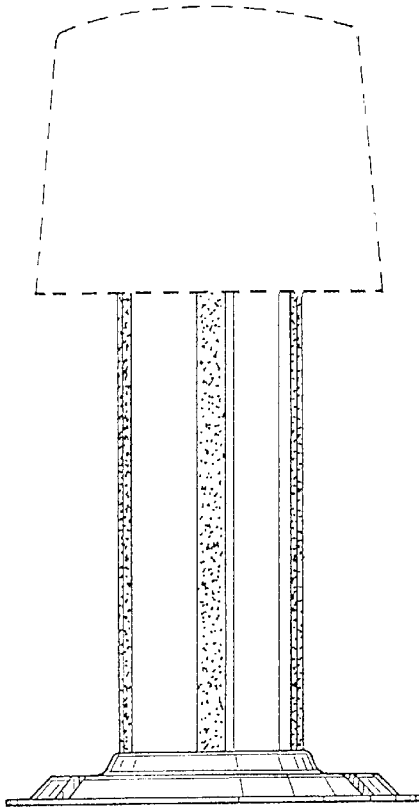


FIG. 10

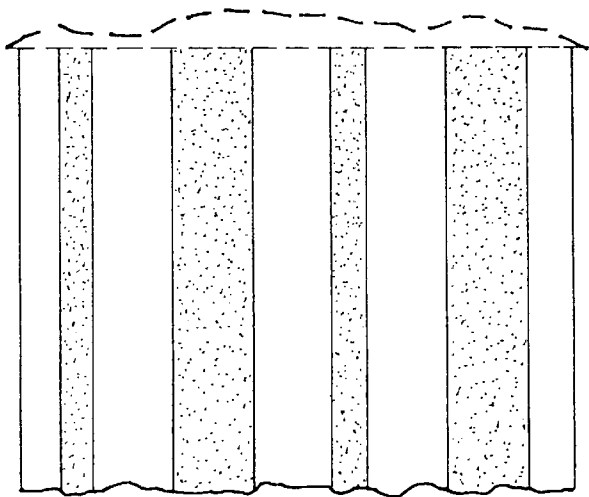
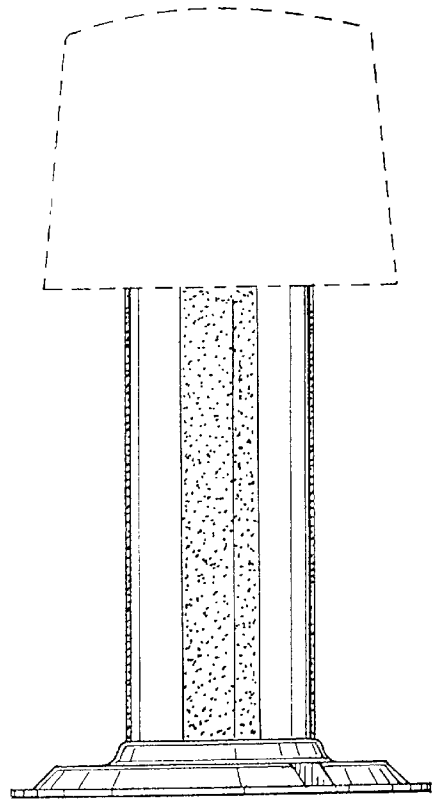


FIG. 11

FIG. 12

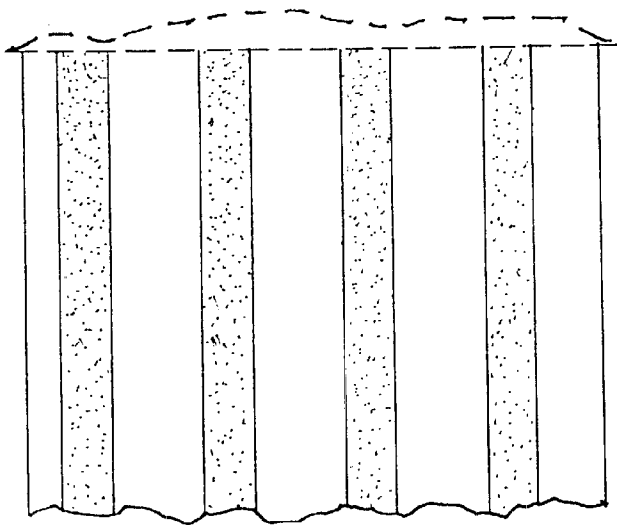
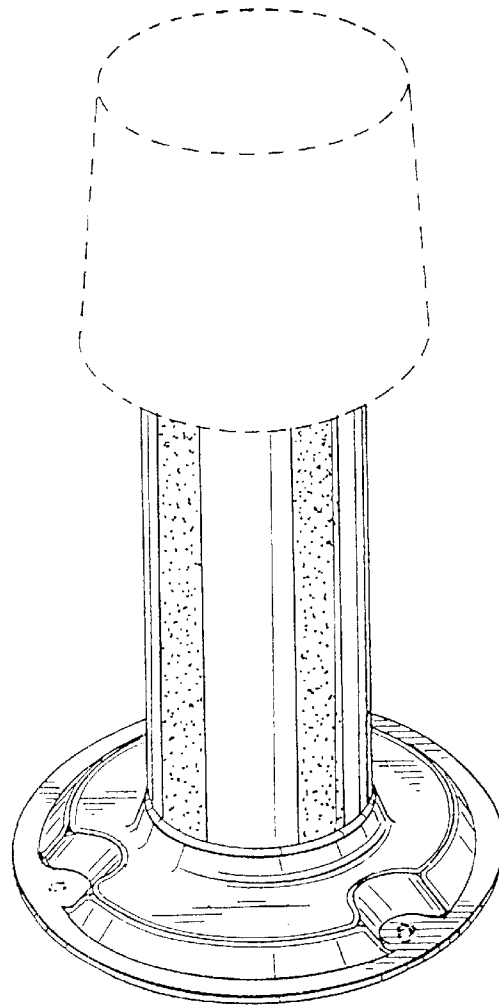


FIG. 13