



US00D375784S

United States Patent [19]
Gottwald

[11] **Patent Number:** **Des. 375,784**

[45] **Date of Patent:** ****Nov. 19, 1996**

[54] **SHOWER FAUCET**

[75] Inventor: **Adoff Gottwald**, Iserlohn, Germany

[73] Assignee: **Friedrich Grohe Aktiengesellschaft**, Hemer, Germany

[**] Term: **14 Years**

[21] Appl. No.: **43,373**

[22] Filed: **Aug. 25, 1995**

[30] **Foreign Application Priority Data**

Feb. 27, 1995 [DE] Germany M9501629.5

[52] **U.S. Cl.** **D23/238**

[58] **Field of Search** D23/238-243,
D23/250-258, 623, 675-678; 137/801

[56] **References Cited**

U.S. PATENT DOCUMENTS

- D. 293,599 1/1988 Bergmann et al. D23/238 X
- D. 315,194 3/1991 Haug et al. D23/238

- D. 333,864 3/1993 Chretien D23/238
- D. 347,264 5/1994 Gottwald D23/238
- D. 353,441 12/1994 Haug et al. D23/238

Primary Examiner—Stella Reid
Assistant Examiner—Eric Watterson
Attorney, Agent, or Firm—Herbert Dubno

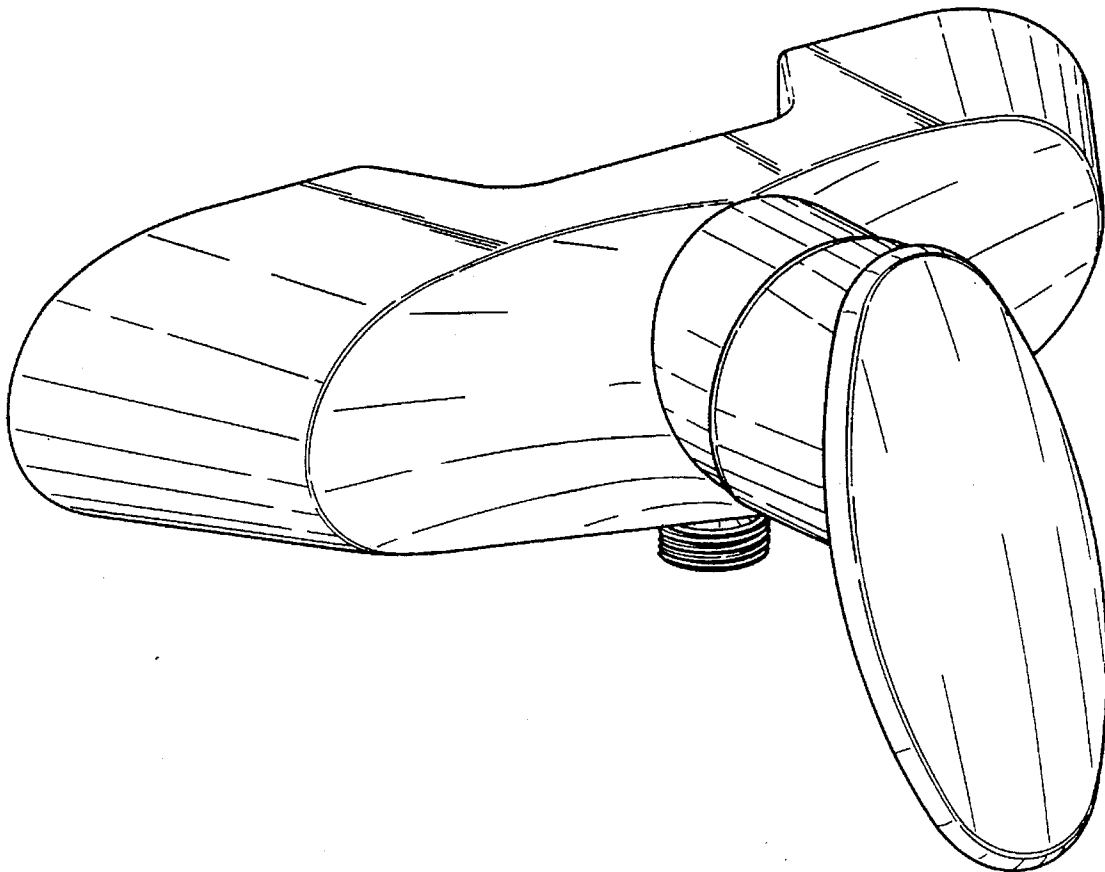
[57] **CLAIM**

The ornamental design for a shower faucet, as shown and described.

DESCRIPTION

FIG. 1 is a top, front, left-side perspective view of a shower faucet showing my new design;
FIG. 2 is a left side elevational view thereof, the right side view being mirror symmetrical;
FIG. 3 is a top view thereof;
FIG. 4 is a front view thereof;
FIG. 5 is a rear view thereof; and,
FIG. 6 is a bottom view thereof.

1 Claim, 3 Drawing Sheets



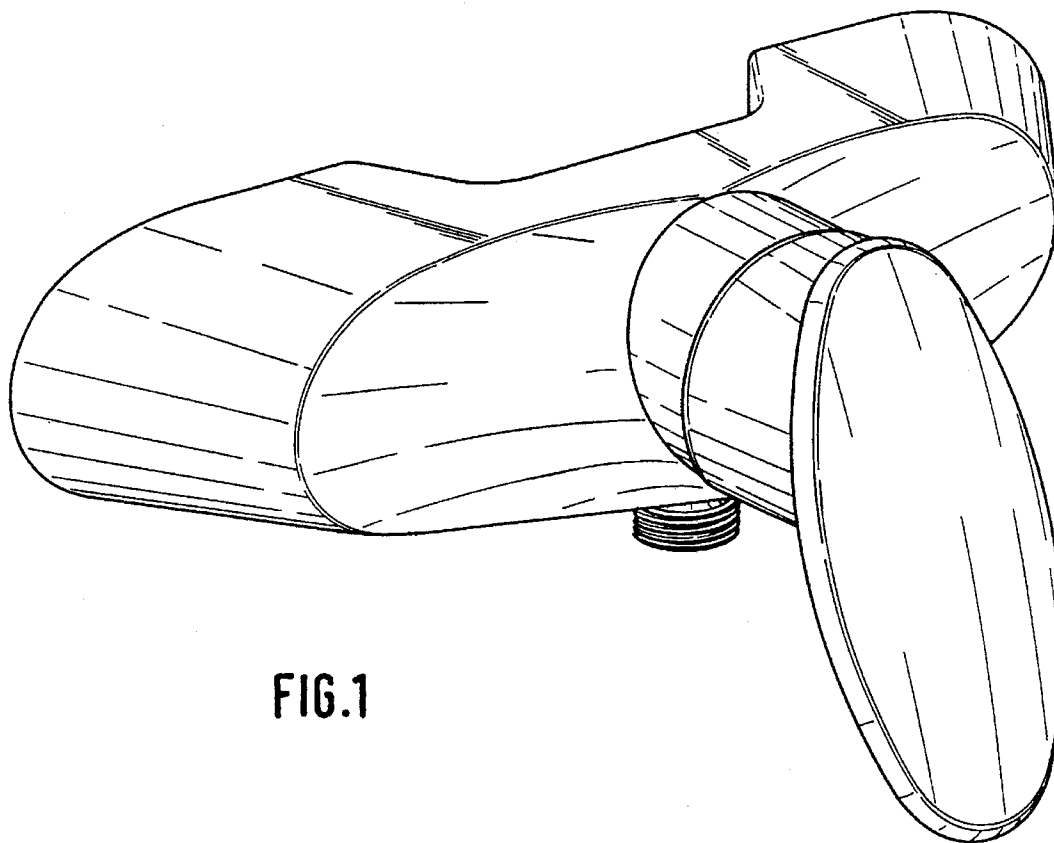


FIG. 1

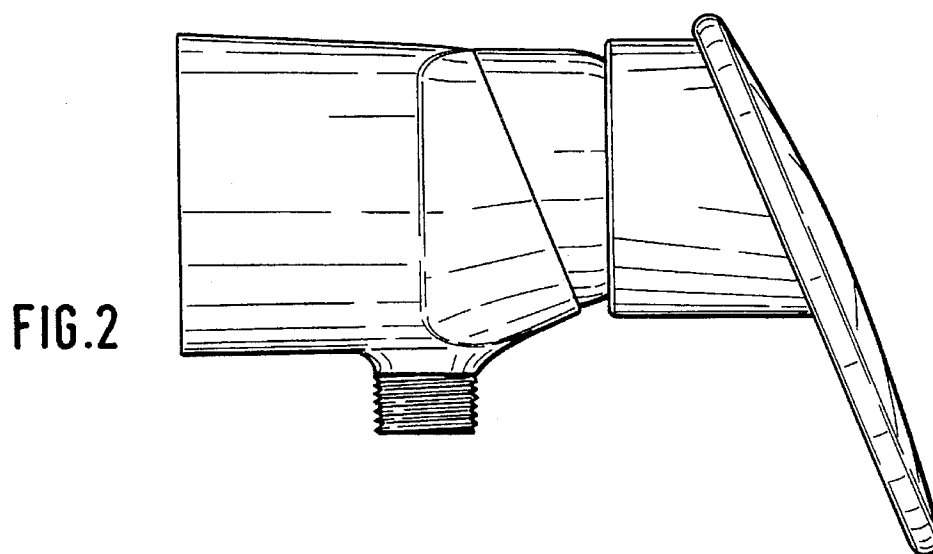


FIG. 2

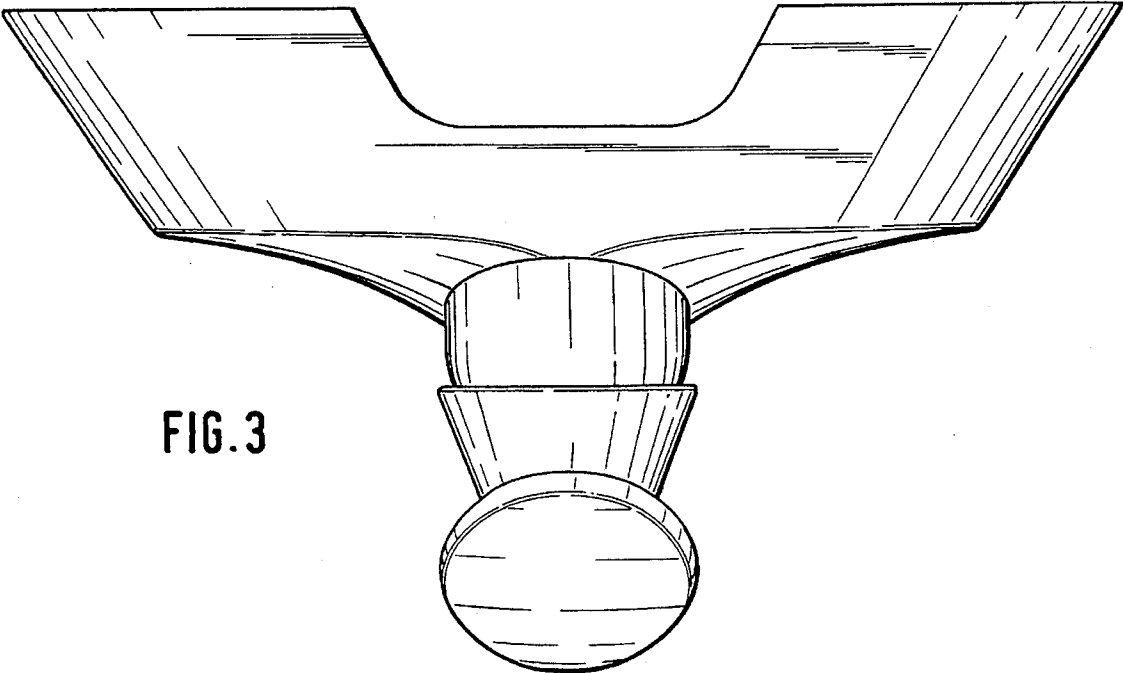


FIG. 3

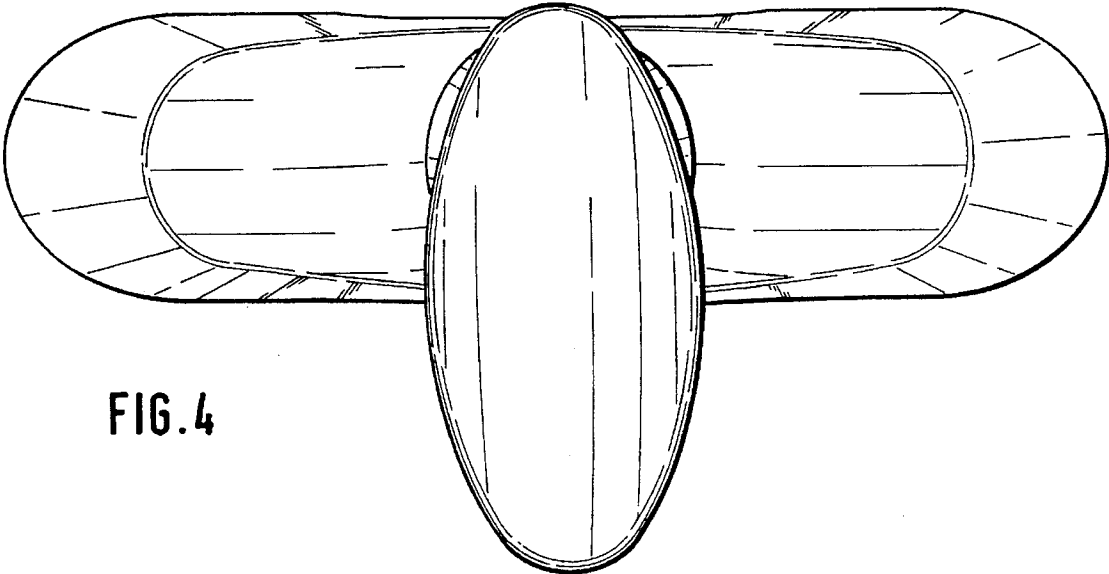


FIG. 4

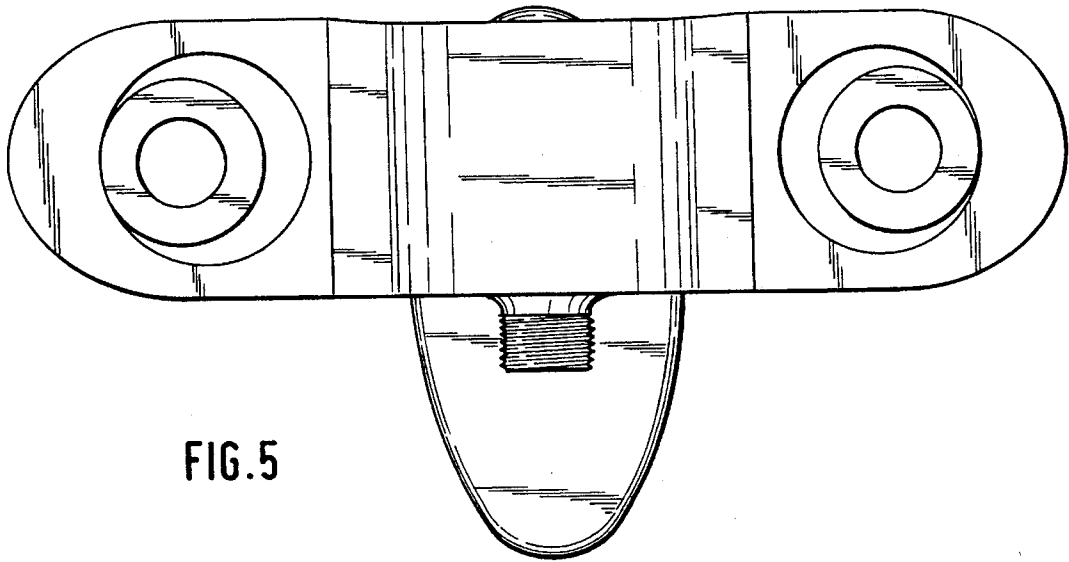


FIG. 5

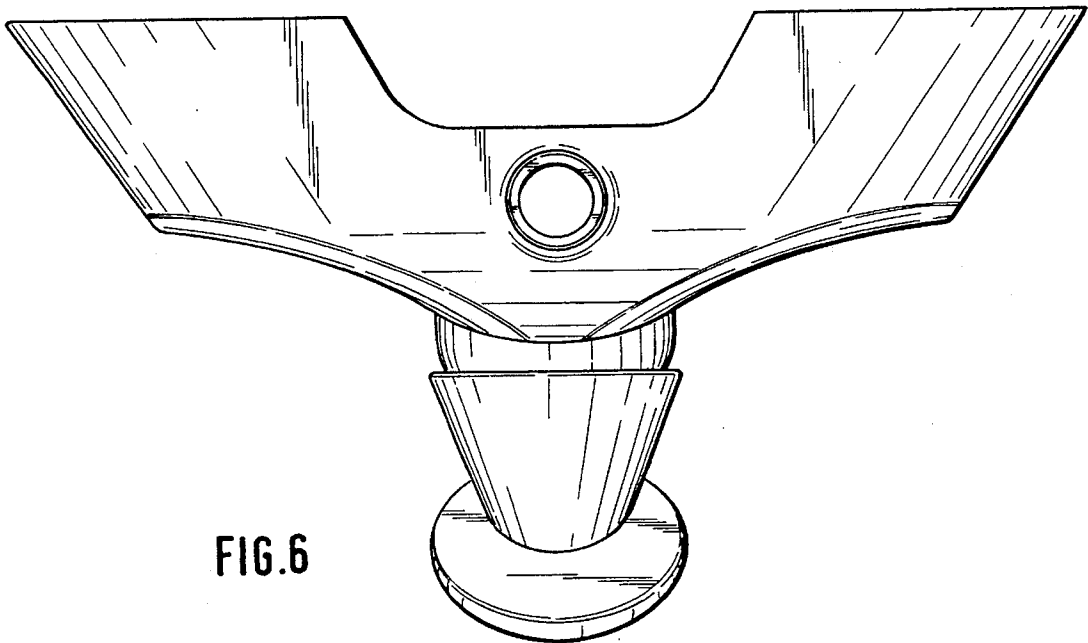


FIG. 6