



(12) **United States Design Patent**
Wock et al.

(10) **Patent No.:** **US D843,286 S**
(45) **Date of Patent:** **** *Mar. 19, 2019**

- (54) **MUD FLAP APPARATUS**
- (71) Applicant: **Agri-Cover, Inc.**, Jamestown, ND (US)
- (72) Inventors: **Shawn J. Wock**, Buchanan, ND (US);
Charles M. Schmeichel, Jamestown,
ND (US)
- (73) Assignee: **Agri-Cover, Inc.**, Jamestown, ND (US)
- (*) Notice: This patent is subject to a terminal disclaimer.
- (**) Term: **15 Years**

4,726,599 A * 2/1988 Antekeier B62D 25/188
280/851
D308,958 S * 7/1990 Knox D12/185
5,026,094 A 6/1991 Haddox
5,121,944 A 6/1992 Haddox
D328,447 S * 8/1992 Ahleen D12/185
D330,692 S * 11/1992 Hammond, Jr. D12/185
D340,019 S * 10/1993 Yoder D12/223
D362,226 S * 9/1995 Sacks D12/185
D391,150 S * 2/1998 Anderson D8/394
5,727,805 A 3/1998 La Roque
5,938,222 A 8/1999 Huang
(Continued)

- (21) Appl. No.: **29/589,046**
- (22) Filed: **Dec. 27, 2016**
- (51) **LOC (11) Cl.** **12-16**
- (52) **U.S. Cl.**
USPC **D12/185**
- (58) **Field of Classification Search**
USPC D12/90, 91, 92, 93, 96, 181, 184, 185,
D12/196, 202; D6/323, 567; D8/353,
D8/366, 367, 373, 394; D24/127, 128
CPC B60D 1/58; B60D 25/182; B60D 25/188;
B62D 25/188
See application file for complete search history.

OTHER PUBLICATIONS

Agri-Cover, Inc., "Rockstar mudflap instruction manual 80707 rev Jul. 9, 2013", published on Jul. 9, 2013 by Agri-Cover, Inc., Jamestown, ND, USA.

(Continued)

Primary Examiner — Darlington Ly
(74) *Attorney, Agent, or Firm* — Robert C. Freed;
Dykema Gossett PLLC

(57) **CLAIM**

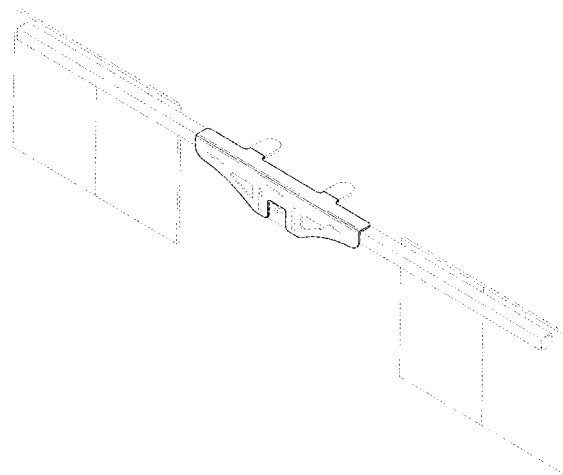
The ornamental design for a mud flap apparatus, as shown and described.

DESCRIPTION

FIG. 1 is a perspective view of a mud flap apparatus showing our new design;
FIG. 2 is a front elevational view thereof;
FIG. 3 is a rear elevational view thereof;
FIG. 4 is a top plan view thereof;
FIG. 5 is a bottom plan view thereof; and,
FIG. 6 is a right side elevational view thereof, which is a mirror image of the left side elevational view thereof.
The broken lines in the drawings illustrate portions of the mud flap apparatus and exemplary mud flaps with a bracket bar that form no part of the claimed design.

1 Claim, 6 Drawing Sheets

- (56) **References Cited**
U.S. PATENT DOCUMENTS
3,782,757 A * 1/1974 Juergens B62D 25/163
280/851
3,877,722 A * 4/1975 Conner B62D 25/188
280/154
3,934,901 A * 1/1976 Hammerly B62D 25/188
280/851
D249,500 S * 9/1978 Cox D12/185
4,326,727 A * 4/1982 Rock B62D 25/18
248/316.7
4,627,594 A * 12/1986 Reed B62D 25/188
248/632



(56)

References Cited

U.S. PATENT DOCUMENTS

D415,086	S *	10/1999	Larkin	D12/185	8,668,227	B1	3/2014	Peotter et al.	
5,967,553	A *	10/1999	Cominsky	B62D 25/188	D727,716	S *	4/2015	Langle D8/355
					280/154	D735,017	S *	7/2015	Langle D8/355
6,076,842	A	6/2000	Knoer			9,387,888	B2	7/2016	Schmeichel et al.	
6,179,311	B1 *	1/2001	Larkin	B62D 25/188	9,422,009	B2 *	8/2016	Schmeichel B60D 1/58
					280/154	9,724,974	B2 *	8/2017	Schmeichel B60D 1/58
6,375,223	B1	4/2002	Kirckof			2002/0185853	A1	12/2002	Gaudet	
6,485,059	B2	11/2002	Burnstein			2006/0048993	A1	3/2006	Karube et al.	
6,527,288	B2	3/2003	Abercrombie			2006/0048994	A1	3/2006	Young et al.	
D484,399	S *	12/2003	Arthur	D8/394	2007/0102917	A1	5/2007	Hopkins, Jr.	
6,942,252	B2	9/2005	Buuck			2007/0216128	A1 *	9/2007	Morton B62D 25/188
6,994,376	B1 *	2/2006	Deering	B62D 25/188					280/154
					280/154	2008/0277895	A1	11/2008	Cicansky	
7,407,194	B1	8/2008	Alley			2009/0194967	A1	8/2009	Vaughn	
7,607,698	B2	10/2009	Cicansky							
7,931,302	B2	4/2011	Vaughn							
D657,054	S *	4/2012	Bacon	D24/128					
D695,173	S *	12/2013	Sperry	D12/185					

OTHER PUBLICATIONS

Agri-Cover, Inc., "Rockstar XL mudflap instruction manual 80707_L rev Jan. 12, 2015", published on Jan. 12, 2015 by Agri-Cover, Inc., Jamestown, ND, USA.

* cited by examiner

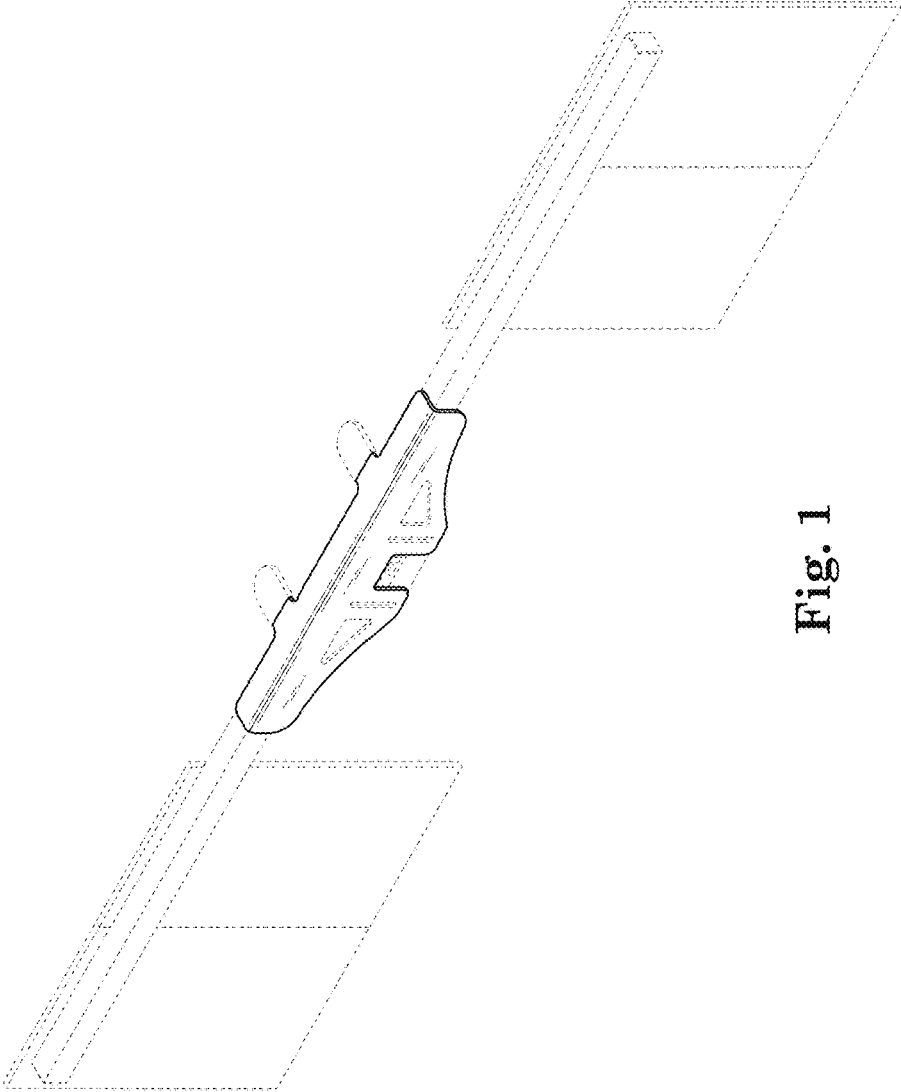


Fig. 1

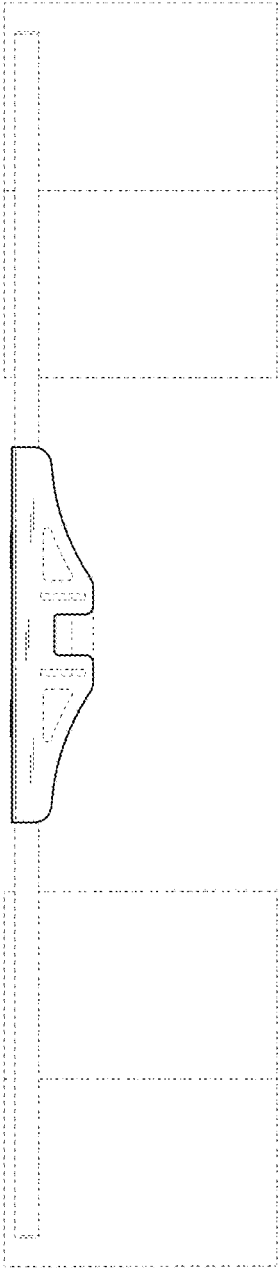


Fig. 2

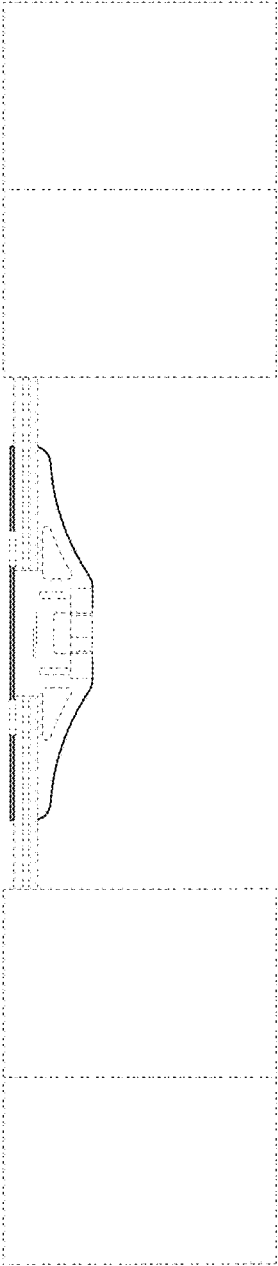


Fig. 3

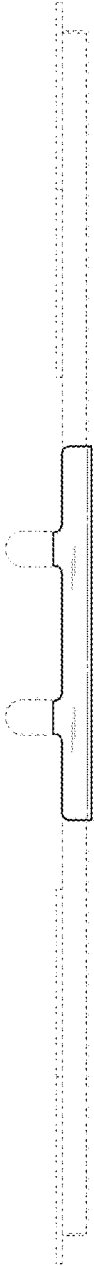


Fig. 4



Fig. 5



Fig. 6