



US00D397911S

United States Patent [19]
Waldmann

[11] **Patent Number: Des. 397,911**
[45] **Date of Patent: **Sep. 8, 1998**

[54] **COMBINED BEVERAGE AND SNACK
HOLDER**
[76] Inventor: **Herbert Waldmann**, 460 E. 79th St.,
New York, N.Y. 10021
[**] Term: **14 Years**

4,823,958 4/1989 Mahmud D7/507 X
5,085,330 2/1992 Paulin 215/6
5,180,079 1/1993 Jeng 220/705
5,310,072 5/1994 Matusovsky et al. 220/23.83
5,346,095 9/1994 Deal 220/669
5,388,729 2/1995 Gerringer 222/130
5,573,133 11/1996 Park D9/518 X
5,647,499 7/1997 Piazza D9/518 X

[21] Appl. No.: **79,435**
[22] Filed: **Nov. 17, 1997**

Primary Examiner—M. N. Pandozzi
Attorney, Agent, or Firm—Goldstein & Associates

[51] **LOC (6) Cl.** **07-01**
[52] **U.S. Cl.** **D7/507; D7/505; D7/347;**
D7/513; D9/337
[58] **Field of Search** **D7/503, 505, 507,**
D7/509, 510, 523, 513, 532; 220/23.83,
669; 215/1 A; D9/337, 518, 347

[57] **CLAIM**

The ornamental design for a combined beverage and snack holder, as shown and described.

DESCRIPTION

FIG. 1 is a front right perspective view of a combined beverage and snack holder showing my new design; FIG. 2 is a front elevational view thereof; FIG. 3 is a rear elevational view thereof; FIG. 4 is a left side elevational view thereof; FIG. 5 is a right side elevational view thereof; FIG. 6 is a top plan view thereof; and, FIG. 7 is a bottom plan view thereof. The broken line showing of a straw, snacks, and a hand is for illustrative purposes only and forms no part of the claimed design.

[56] **References Cited**
U.S. PATENT DOCUMENTS
D. 297,799 9/1988 Hammer D7/507
D. 303,194 9/1989 Darby et al. D7/3
D. 318,427 7/1991 Sherburne, Jr. 215/1 A
D. 324,973 3/1992 Stagerman D9/337 X
D. 355,735 2/1995 Shaffer et al. D9/347 X
D. 362,801 10/1995 Milroy D9/347
2,375,643 5/1945 Sermanotta D7/507 X
2,920,804 1/1960 Minton D7/505 X
4,027,779 6/1977 De Long D7/507 X
4,491,220 1/1985 Daviss 206/217

1 Claim, 6 Drawing Sheets

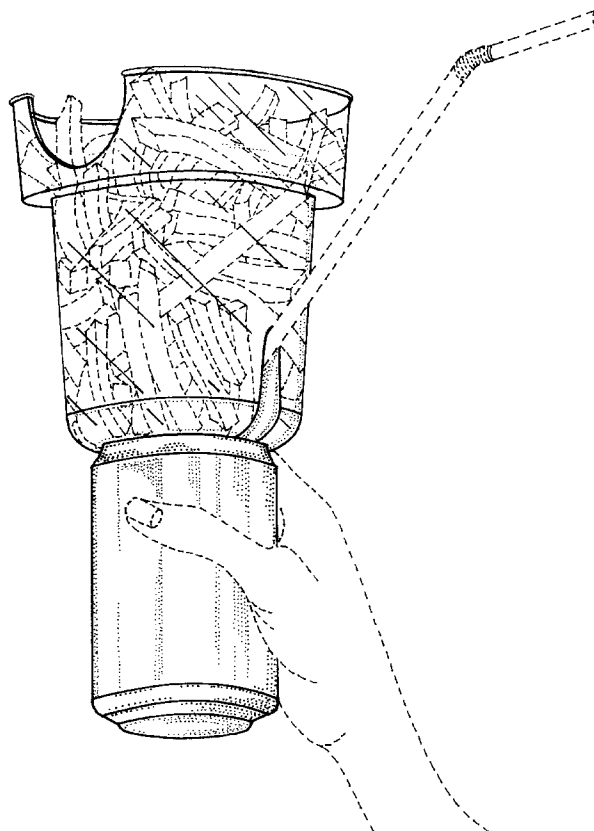


FIG. 1

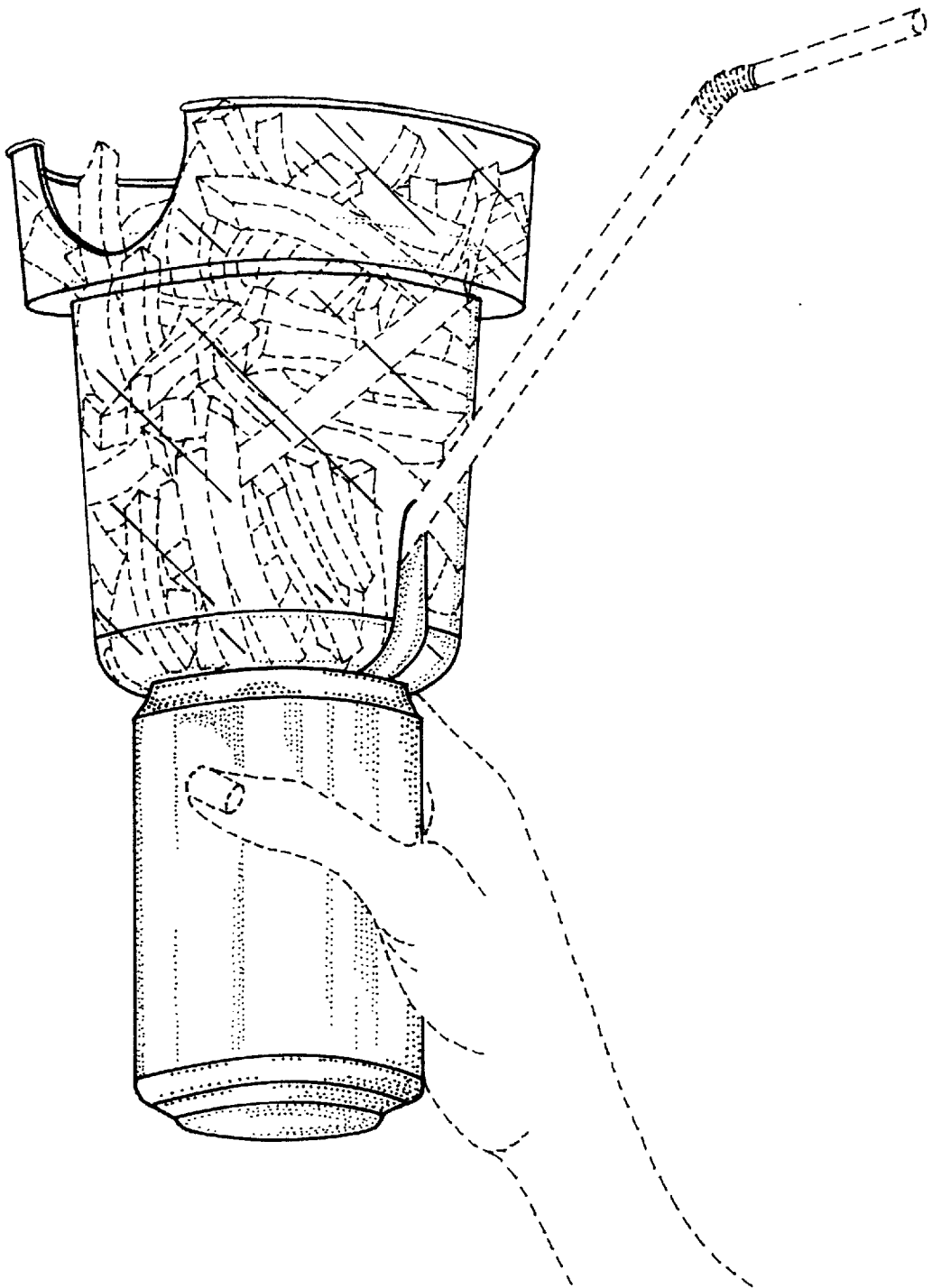


FIG. 2

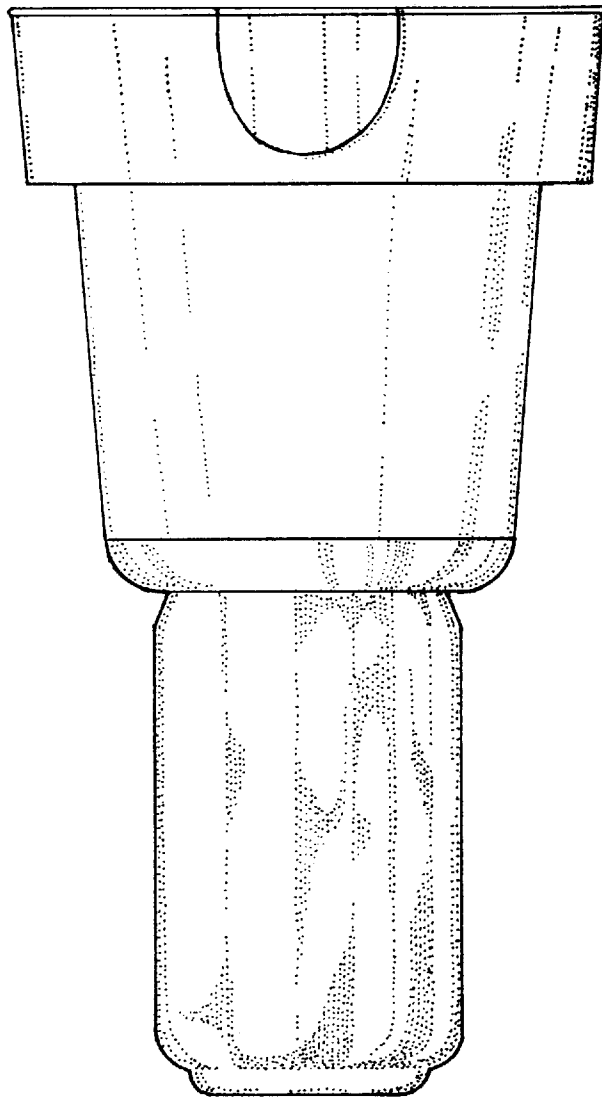


FIG. 3

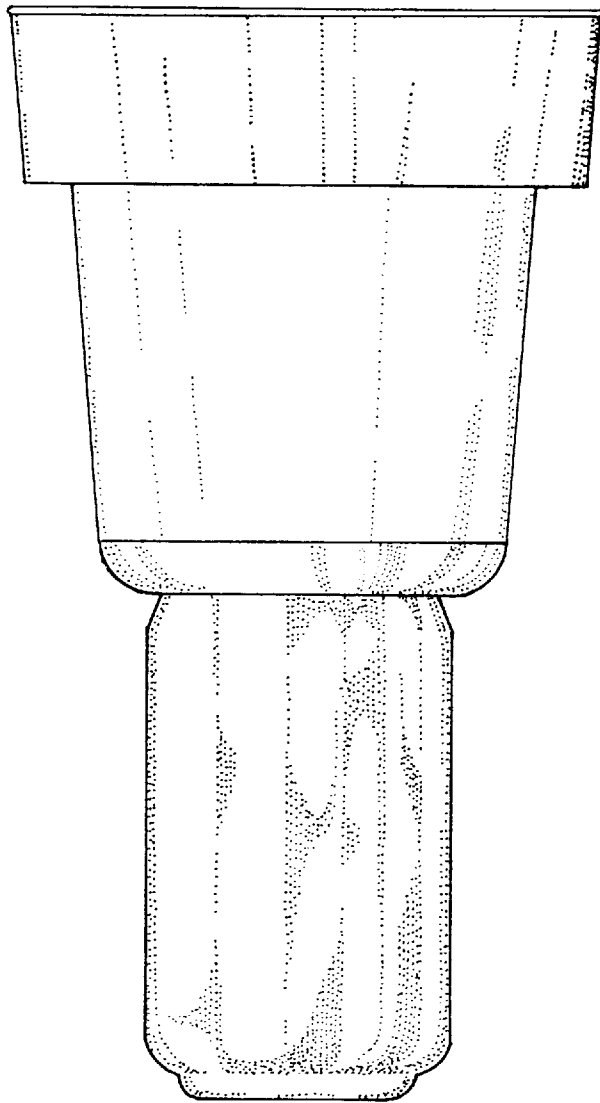


FIG. 4

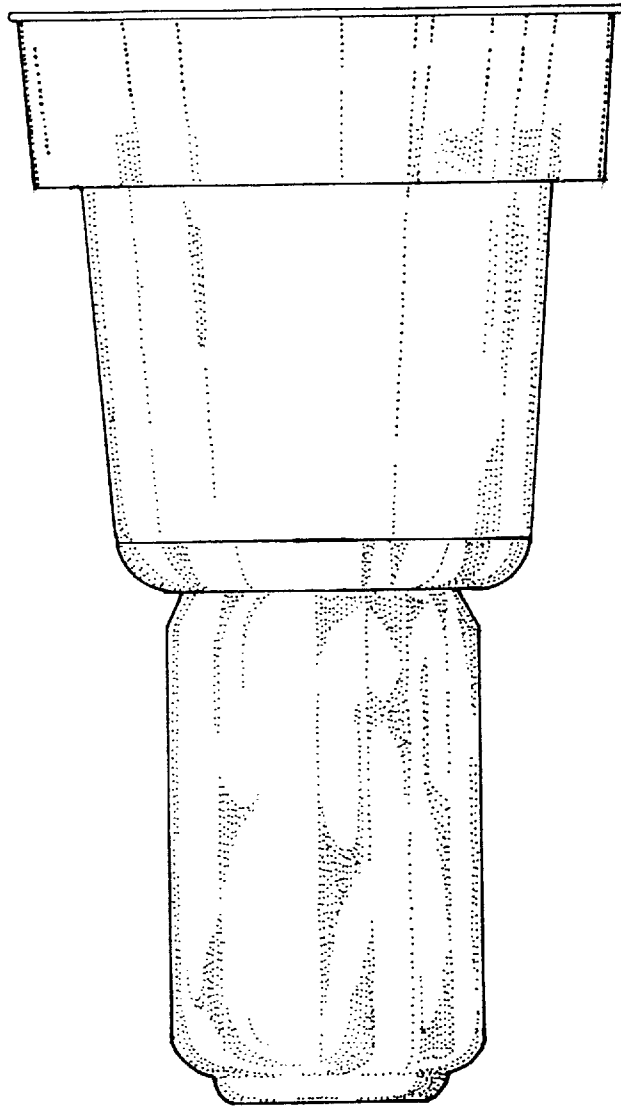


FIG. 5

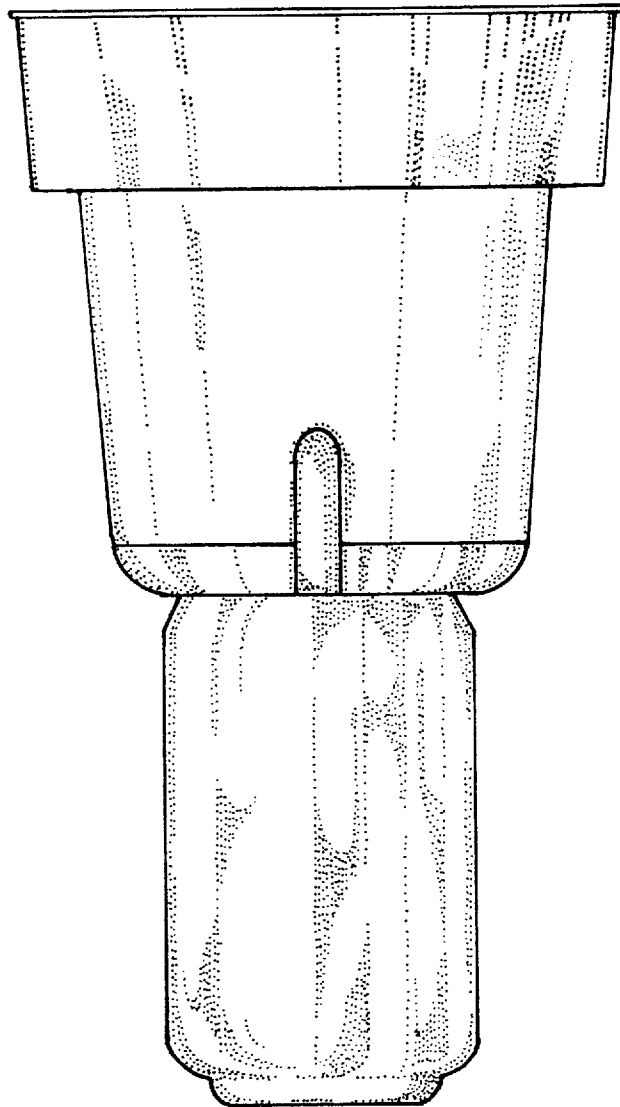


FIG. 6

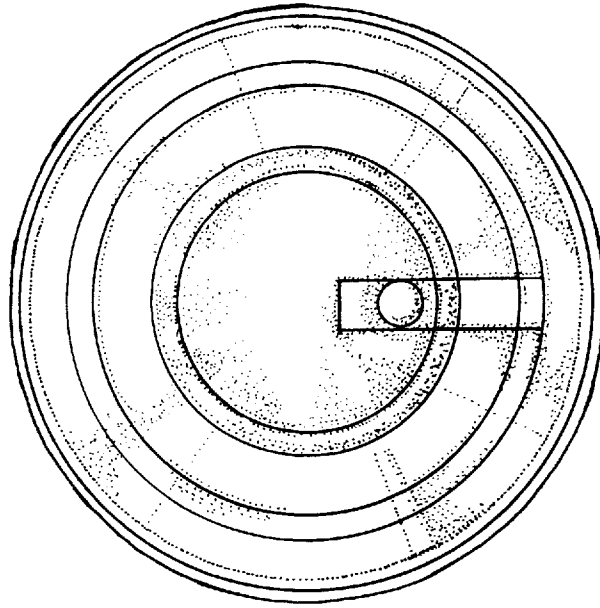


FIG. 7

