



US00D642716S

(12) **United States Design Patent**
Spaccasassi et al.

(10) **Patent No.:** **US D642,716 S**

(45) **Date of Patent:** **** Aug. 2, 2011**

(54) **LIGHTING APPARATUS**

(75) Inventors: **Claudio Spaccasassi**, Orbassano-TO (IT); **Carlo Albano**, Turin (IT)

(73) Assignee: **Ilti Luce S.r.l.**, Turin (IT)

(**) Term: **14 Years**

(21) Appl. No.: **29/363,895**

(22) Filed: **Jun. 16, 2010**

(30) **Foreign Application Priority Data**

Dec. 16, 2009 (EM) 001184717-0031

(51) **LOC (9) Cl.** **26-05**

(52) **U.S. Cl.** **D26/63**

(58) **Field of Classification Search** D26/60-66,
D26/72, 85, 107, 109; 362/267, 269-280,
362/282, 285, 287-289, 371, 372, 413, 414,
362/418, 427, 430, 432

See application file for complete search history.

(56) **References Cited**

U.S. PATENT DOCUMENTS

D120,741 S *	5/1940	Naylor	D26/65
D121,585 S *	7/1940	Critoph	D26/63
D561,368 S *	2/2008	Opolka et al.	D26/61
D573,286 S *	7/2008	Zettl	D26/63
D589,191 S *	3/2009	Sabernig	D26/63
D624,224 S *	9/2010	Guercio et al.	D26/61

* cited by examiner

Primary Examiner — Susan M Lee

Assistant Examiner — Linda Brooks

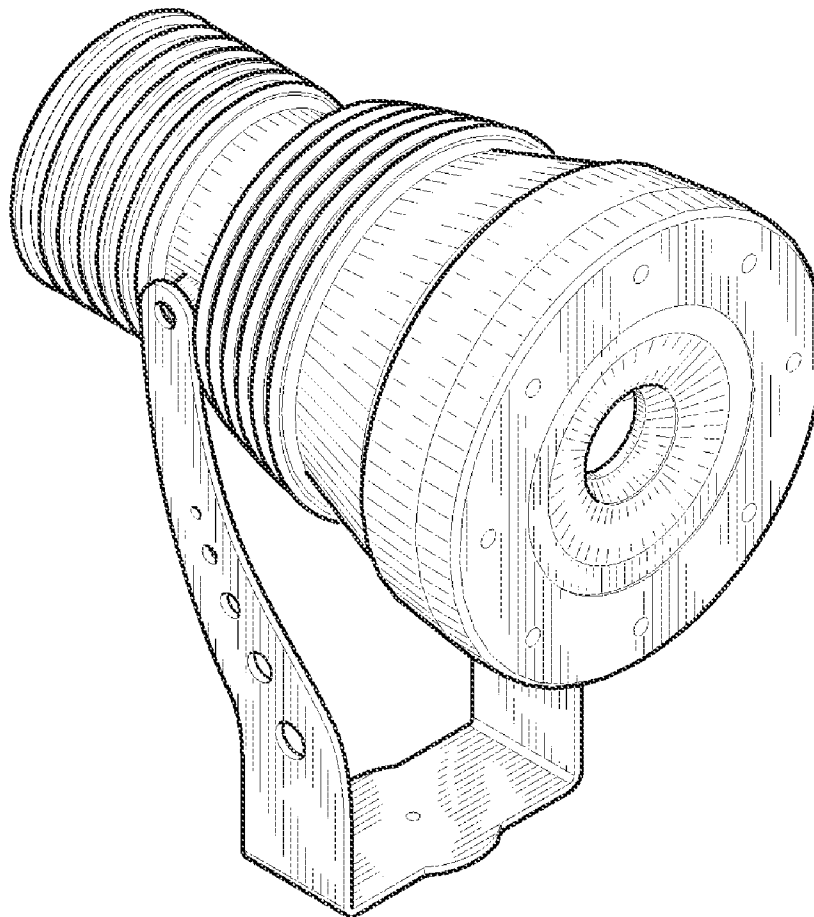
(57) **CLAIM**

The ornamental design for a lighting apparatus, as shown.

DESCRIPTION

FIG. 1 is a bottom plan view showing my design;
FIG. 2 is a top plan view thereof;
FIG. 3 is a rear elevational view thereof;
FIG. 4 is a front elevational view thereof;
FIG. 5 is a left side elevational view thereof;
FIG. 6 is a right side elevational view thereof; and,
FIG. 7 is a perspective view thereof.

1 Claim, 5 Drawing Sheets



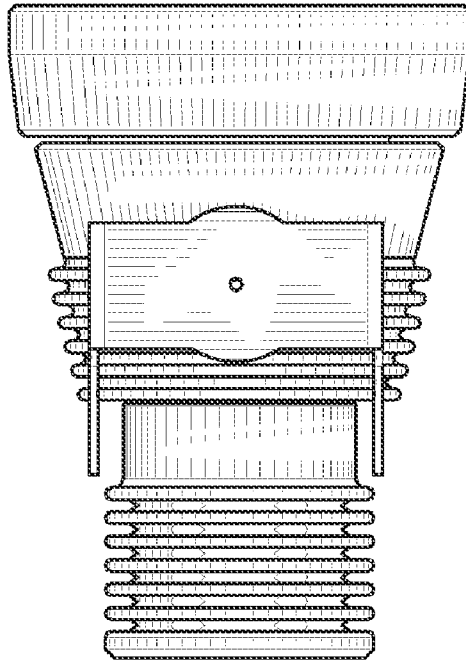


FIG. 1

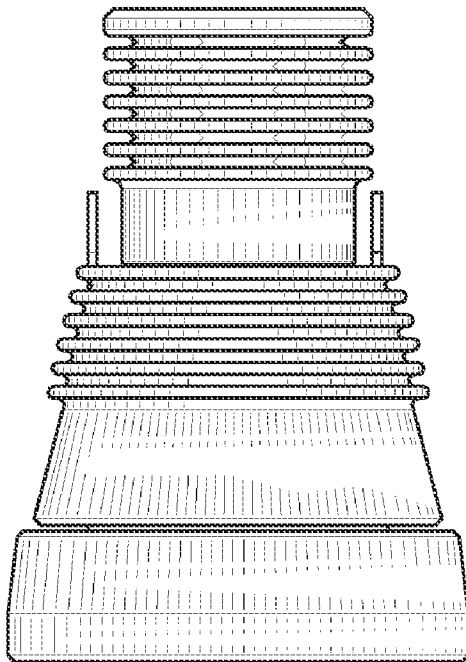


FIG. 2

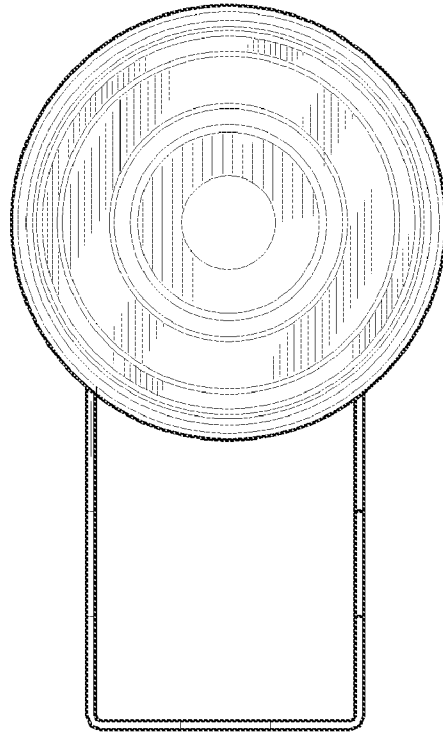


FIG.3

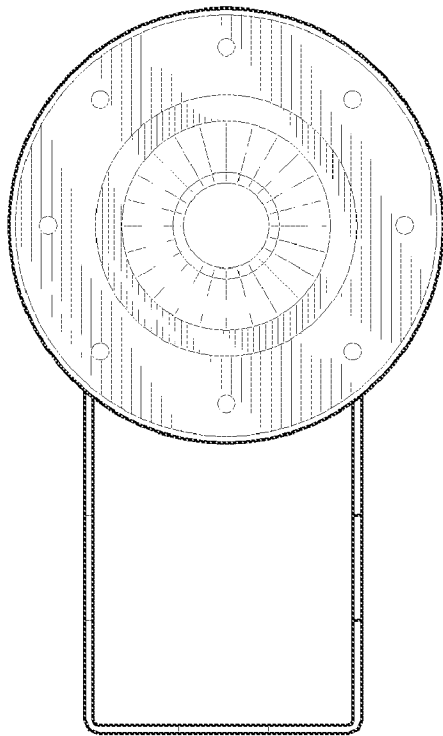


FIG.4

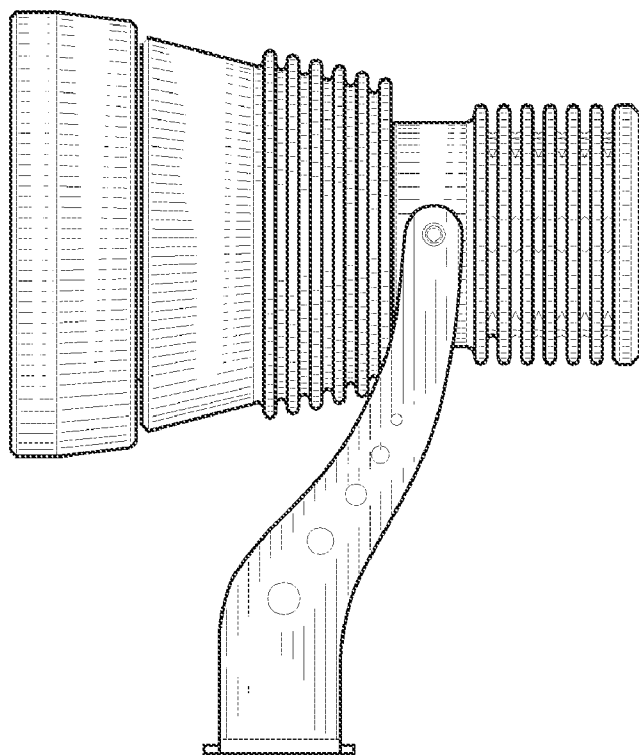


FIG.5

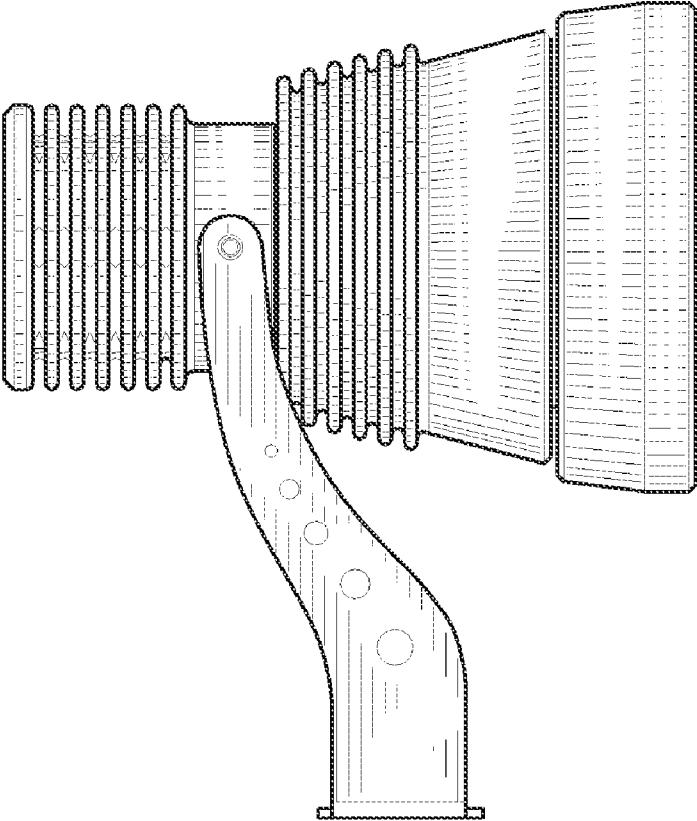


FIG.6

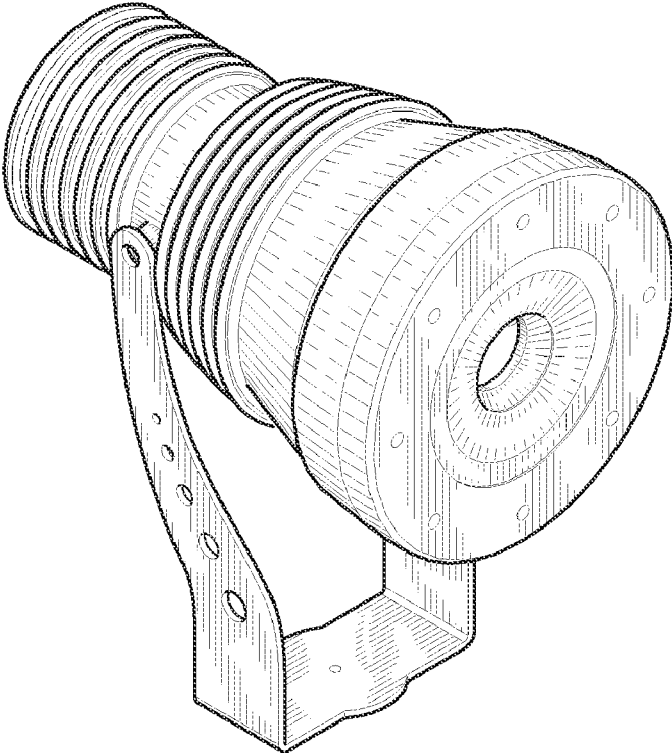


FIG.7