

April 1, 1952

J. MORGAN

Des. 166,335

ILLUMINABLE SIGN

Filed Aug. 23, 1950

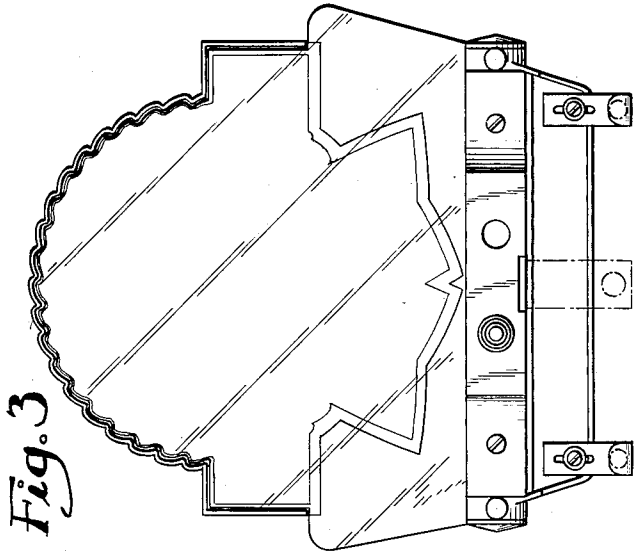


Fig. 3

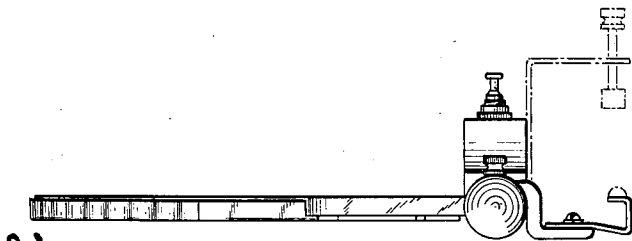


Fig. 2

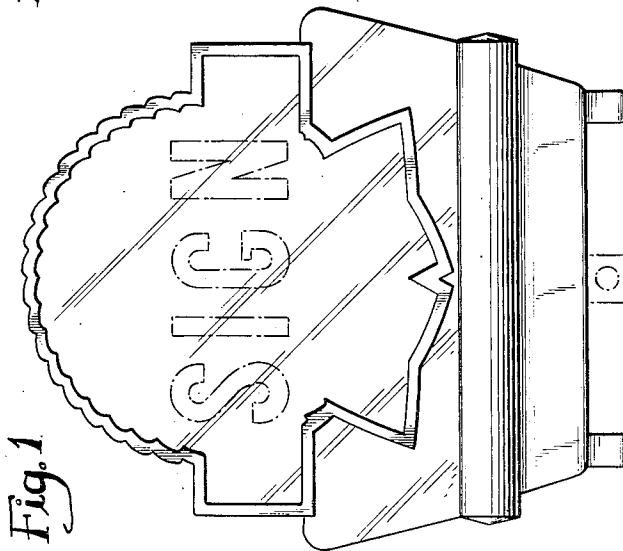


Fig. 1

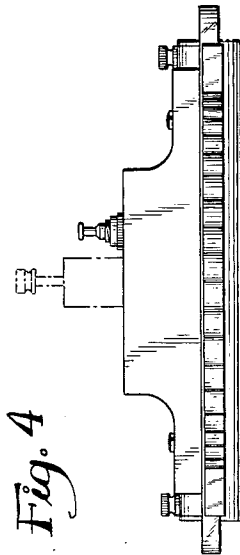


Fig. 4

INVENTOR.
Jack Morgan
BY
Maurice S. Payne
Atty.

UNITED STATES PATENT OFFICE

166,335

ILLUMINABLE SIGN

Jack Morgan, Chicago, Ill., assignor to Price Brothers, Inc., Chicago, Ill., a corporation of Illinois

Application August 23, 1950, Serial No. 11,891

Term of patent 3½ years

(Cl. D1—12)

To all whom it may concern:

Be it known that I, Jack Morgan, a citizen of the United States of America and resident of Chicago, in the county of Cook and State of Illinois, have invented a new, original, and ornamental Design for an Illuminable Sign, of which the following is a specification, reference being had to the accompanying drawing, forming a part thereof.

Fig. 1 is a front elevational view of an illuminable sign embodying my new design.

Fig. 2 is a view of one of the like ends thereof.

Fig. 3 is a back view thereof.

Fig. 4 is a plan view thereof.

The dominant features of my design are shown in full lines.

I claim:

The ornamental design for an illuminable sign, substantially as shown and described.

JACK MORGAN.

REFERENCES CITED

The following references are of record in the file of this patent:

UNITED STATES PATENTS

| Number | Name | Date |
|------------|---------------------|----------------|
| D. 116,693 | Joyce et al. | Sept. 19, 1939 |
| D. 151,108 | Verduyn et al. | Sept. 21, 1948 |
| D. 158,573 | Hammer | May 19, 1950 |