

# United States Patent [19]

Pettersson

[11] **Des. 267,997**

[45] **\*\* Feb. 22, 1983**

[54] **FRAME FOR IRONING BOARD**

[75] Inventor: **Dan A. B. Pettersson**, Hillerstorp, Sweden

[73] Assignee: **AB Jarnarmatur**, Hillerstorp, Sweden

[\*\*] Term: **14 Years**

[21] Appl. No.: **903,032**

[22] Filed: **May 4, 1978**

[30] **Foreign Application Priority Data**

Nov. 8, 1977 [SE] Sweden ..... 772273

[51] Int. Cl. .... **D7-05**

[52] U.S. Cl. .... **D32/66**

[58] **Field of Search** ..... D7/200; 38/103, 104, 38/106, 112, 107, 108, 109, 110, 111, 135, 136, 137, 138, 139; 108/115; 312/330 R

[56] **References Cited**

### U.S. PATENT DOCUMENTS

581,233	4/1897	Joo	38/112 X
2,124,765	7/1938	Cooper	38/138 X
2,599,399	6/1952	Lantz	38/138 X
3,609,892	10/1971	Caire	38/138

*Primary Examiner*—Catherine E. Kemper  
*Attorney, Agent, or Firm*—Fleit & Jacobson

[57] **CLAIM**

The ornamental design for frame for ironing board, as shown.

### DESCRIPTION

FIG. 1 is a top perspective view of a frame for an ironing board, showing my new design;  
FIG. 2 is a bottom perspective view thereof.

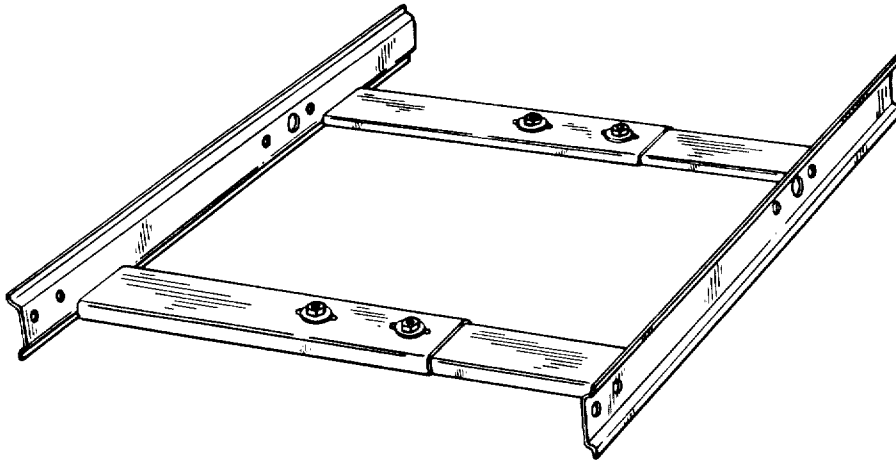


FIG.1

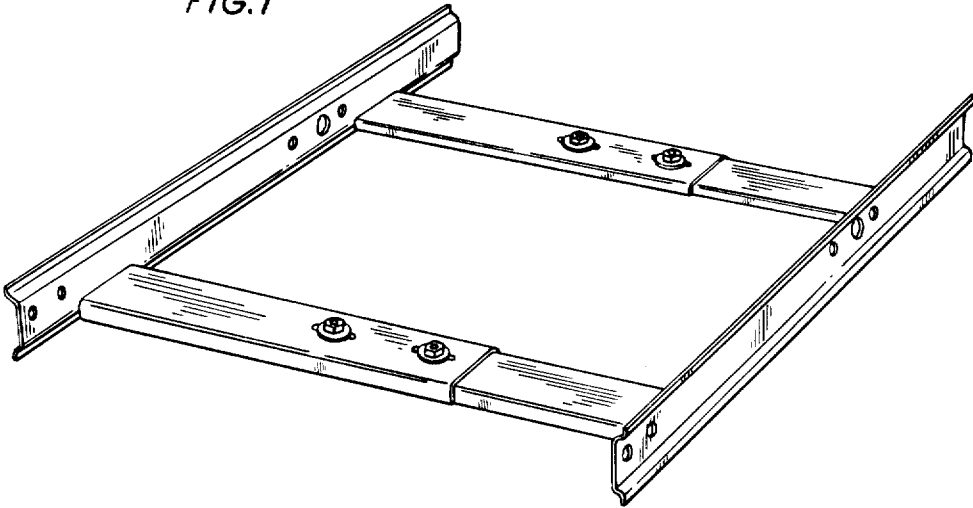


FIG.2

