

(19) World Intellectual Property Organization
International Bureau



(43) International Publication Date
20 October 2011 (20.10.2011)

(10) International Publication Number
WO 2011/127577 A1

(51) International Patent Classification:

A47F 11/00 (2006.01) B65G 1/02 (2006.01)
A47B 97/00 (2006.01) G09F 9/00 (2006.01)
A47F 3/00 (2006.01)

(21) International Application Number:

PCT/CA2011/000412

(22) International Filing Date:

13 April 2011 (13.04.2011)

(25) Filing Language:

English

(26) Publication Language:

English

(30) Priority Data:

61/323,620 13 April 2010 (13.04.2010) US

(72) Inventor; and

(71) Applicant : STARK, Dean [CA/CA]; 55 Bloor Street
West, Toronto, Ontario M4W 3V1 (CA).

(74) Agent: SMART & BIGGAR; ATTN: ZISCHKA,
Matthew, Box 111, Suite 1500, 438 University Avenue,
Toronto, Ontario M5G 2K8 (CA).

(81) Designated States (unless otherwise indicated, for every

kind of national protection available): AE, AG, AL, AM, AO, AT, AU, AZ, BA, BB, BG, BH, BR, BW, BY, BZ, CA, CH, CL, CN, CO, CR, CU, CZ, DE, DK, DM, DO, DZ, EC, EE, EG, ES, FI, GB, GD, GE, GH, GM, GT, HN, HR, HU, ID, IL, IN, IS, JP, KE, KG, KM, KN, KP, KR, KZ, LA, LC, LK, LR, LS, LT, LU, LY, MA, MD, ME, MG, MK, MN, MW, MX, MY, MZ, NA, NG, NI, NO, NZ, OM, PE, PG, PH, PL, PT, RO, RS, RU, SC, SD, SE, SG, SK, SL, SM, ST, SV, SY, TH, TJ, TM, TN, TR, TT, TZ, UA, UG, US, UZ, VC, VN, ZA, ZM, ZW.

(84) Designated States (unless otherwise indicated, for every

kind of regional protection available): ARIPO (BW, GH, GM, KE, LR, LS, MW, MZ, NA, SD, SL, SZ, TZ, UG, ZM, ZW), Eurasian (AM, AZ, BY, KG, KZ, MD, RU, TJ, TM), European (AL, AT, BE, BG, CH, CY, CZ, DE, DK, EE, ES, FI, FR, GB, GR, HR, HU, IE, IS, IT, LT, LU, LV, MC, MK, MT, NL, NO, PL, PT, RO, RS, SE, SI, SK, SM, TR), OAPI (BF, BJ, CF, CG, CI, CM, GA, GN, GQ, GW, ML, MR, NE, SN, TD, TG).

[Continued on next page]

(54) Title: INTERACTIVE VIDEO SHELVING SYSTEM

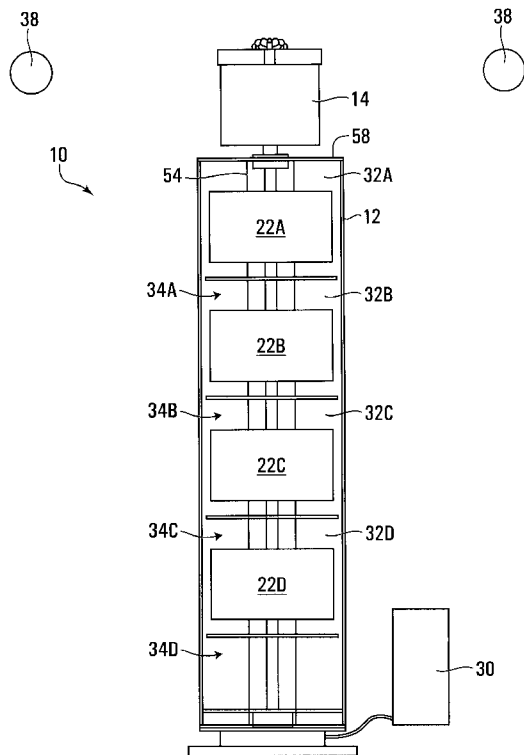


FIG. 1

(57) Abstract: A shelving system and method are disclosed. The shelving system includes: a plurality of shelves; at least one display screen; at least one camera, for optically detecting the contents of each one of the shelves; and at least one computing device in communication with the display screen and the at least one camera for presenting sales and promotional information on the display screen in dependence on the contents of the compartments as sensed by the sensors.

WO 2011/127577 A1

Published:

— with international search report (Art. 21(3))

— before the expiration of the time limit for amending the claims and to be republished in the event of receipt of amendments (Rule 48.2(h))

INTERACTIVE VIDEO SHELVING SYSTEM

CROSS-REFERENCE TO RELATED APPLICATIONS

[0001] This application claims benefits from U.S. Provisional Patent Application No. 61/323,620 filed April 13, 2010, the contents of which are hereby incorporated herein by reference.

FIELD OF THE INVENTION

[0002] The present invention relates generally to retail display arrangements, and more particularly to an interactive merchandise shelving system, providing video.

BACKGROUND OF THE INVENTION

[0003] In recent years, selling products in stores and specialty dealerships has become more difficult. Increased competition from other sales venues, such as the internet and mail order, increased product variety, and increased competition between retailers have all contributed to the difficulty.

[0004] Not surprisingly, retail and dealership venues have made efforts to enhance the shopping experience. Many retail outlets spend lavishly on décor, and offer on premises service and consultation.

[0005] Sales displays have also become more sophisticated. For example, some in-store displays and kiosks now rely on video and audio to provide advertising and product information, and to attract consumer attention.

[0006] Most such displays, however, are still quite static and do not engage the consumer.

[0007] Accordingly, there remains a need for more engaging, and interactive product display arrangements.

SUMMARY OF THE INVENTION

[0008] In accordance with an aspect of the present invention, there is provided a shelving system comprising: a plurality of compartments; a plurality of display screens, with one display screen mounted in each of the compartments behind an article display surface; at least one content sensor for sensing the content of each one of the compartments; and at least one computing device in communication with the display screens and the at least one sensor for presenting sales and promotional information on the display screens in dependence on the contents of the compartments as sensed by the sensors.

[0009] In accordance with another aspect of the present invention, there is provided a shelving system comprising: a plurality of shelves; at least one display screen; at least one camera, for optically detecting the contents of each one of the shelves; and at least one computing device in communication with the display screen and the at least one camera for presenting sales and promotional information on the display screen in dependence on the contents of the compartments as sensed by the sensors.

[0010] In accordance with yet another aspect of the present invention, there is provided a method of operating an interactive shelving systems. The method comprises a plurality of compartments for receiving items, with at least one display screen in each of the compartments. The method comprises: sensing the contents of identifiable items in each of the compartments, and presenting sales and promotional information on the display screens in dependence on the contents of the plurality of compartments as sensed.

[0011] Other aspects and features of the present invention will become apparent to those of ordinary skill in the art upon review of the following description of specific embodiments of the invention in conjunction with the accompanying figures.

BRIEF DESCRIPTION OF THE DRAWINGS

[0012] In the figures which illustrate by way of example only, embodiments of the present invention,

[0013] **FIG. 1** is a front view of an interactive shelving system, exemplary of an embodiment of the present invention;

[0014] **FIG. 2** is an exploded view of a shelf unit forming part of the shelf system of **FIG. 1**;

[0015] **FIG. 3** is a simplified schematic block diagram of electrical components of the system of **FIG. 1**;

[0016] **FIG. 4** is a block diagram of software and data components stored at a computing device of the shelving system of **FIG. 1**; and

[0017] **FIG. 5** is a flowchart illustrating operation of the shelf system of **FIG. 1**; and

[0018] **FIG. 6A** and **6B** are front views of a further interactive shelf system exemplary of another embodiment of the present invention.

DETAILED DESCRIPTION

[0019] **FIG. 1** is a front view of an interactive shelving system **10**, exemplary of an embodiment of the present invention. Shelving system **10** includes a shelf unit **12** that defines multiple compartments **32a**, **32b**, **32c**, **32d** (individually and collectively compartment(s) **32**). Each compartment **32** includes a support shelf **26a**, **26b**, **26c** or **26d** (individually and collectively shelf/shelves **26**) for supporting items to be displayed thereon. In the depicted embodiment, shelf **26a** supports items in compartment **32a**; shelf **26b** supports items in compartment

32b; shelf **26c** supports items in compartment **32c**, and so on.

[0020] Also formed within each compartment is a display screen **22a**, **22b**, **22c** or **22d** (individually and collectively display screen(s) **22**). Each compartment **32** is further monitored by a content sensor **34**. In the depicted embodiment, sensor **34a** is associated with compartment **32a**; sensor **34b** is associated with compartment **32b**; sensor **34c** is associated with compartment **32c**, and so on. Display screens **22** and content sensors **34** are interconnected with one or more computing devices **30** operable to monitor the content of each compartment and thereby the “state” of shelf unit **12**, and present video images on screens **22** in dependence on the state of shelf unit **12** (or a portion thereof), as further detailed below.

[0021] As **FIG. 1** is a front view of shelving system **10**, only compartments **32** on the front of shelving system **10** are visible. Four further rear compartments **32e-32h** are visible in **FIG. 2** may be formed on a rear side of shelf system **10**, symmetrical with compartments **32a-32d**, about spine **54**. Each of compartments **32e-32h** may house a display screen **22** and be monitored by a content sensor **34**.

[0022] An exploded view of shelf unit **12** is depicted in **FIG. 2**. As illustrated, shelf unit **12** includes two opposing sidewalls **50**, **52** separating a central spine **54** extending from a generally horizontal bottom base **56** to a generally flat horizontal top **58**. As illustrated, central spine **54** extends upwardly from the general geometric center of base **56**. A plurality of opposing shelves **26** are cantilevered on each side of spine **54**. Spine **54** includes a central conduit **55** for transporting wires and cabling from base **56** or top **58** into each of compartments **32**. Screens **22** (**FIG. 1**) may conveniently be mounted to spine **54**. In this way, screens **22** are visible behind shelves **26**.

[0023] As well, content sensors **34** may be mounted to one of side walls **52** or shelf **26** to monitor the content of a particular compartment **32**.

[0024] In the depicted embodiment, content sensors **34** may take the form of cameras positioned within a line of sight of the bottom of shelf **26**. In particular, the cameras may be low cost CCD cameras, including a universal serial bus interface for provision of video to computing device **30**. Shelves **26** may be transparent. In this way, a camera may capture images of the contents of a compartment **32** within its line of sight, directly above a camera. In alternate embodiments, one or more cameras may be mounted within the view of a compartment. Cameras could be mounted above, within a corner or behind shelves **26**, or elsewhere to provide an image of the content of a particular shelf.

[0025] Optionally, one or more audio transducers **38** – for example in the form of surround sound loud speakers – may be mounted in proximity to shelf unit **12**.

[0026] A further casing **14** may be mounted atop top **58**. Casing **14** may have a transparent front, and may hold a marquis object, light, or other attractor for system **10**. Optionally, computing device(s) **30** may be mounted atop of shelf unit **12** on top **58** in casing **14**.

[0027] A schematic view of the electrical/electronic components of shelving system **10** is illustrated in **FIG. 3**. As illustrated, displays **22** (in the depicted embodiment displays **22a** to **22h**, corresponding to compartment **32a-32h**) are in communication with one or more computing devices **30**. Computing device **30** may be a single computer capable of driving a plurality of computer monitors or alternatively, multiple co-operating computing devices that may be co-located, to present graphic images on interconnected displays **22**, and may include one or more processors (or processing cores) **41**. In any event, computing device **30** includes at least one graphics subsystem **42** for presenting graphics images on each of displays **22a** through **22h**. The graphics subsystem **42** may include a graphics processor, frame buffer, and one or more display interfaces for interconnecting displays **22**. The display interface may be an HDMI, DisplayPort, DVI, or similar interface.

[0028] Further, computing device **30** includes one or more input/output

ports/interfaces **44** for interconnection with sensors **34**. As noted in the depicted embodiment, sensors **34** take the form of USB cameras. As such, the input/output port/interface **44** takes the form of one or more USB ports interconnected with corresponding USB hubs **39**.

[0029] Audio transducers **38** may be interconnected with an audio subsystem **46** of computing device **30**. The audio subsystem **46** may, for example, take the form of one or more audio cards **50** providing surround sound audio.

[0030] Further computing device **30** includes computer readable memory **48** in the form of random access and persistent storage memory. Persistent storage memory includes computing software exemplary of embodiments of the present invention causing shelving system **10** to operate in manners exemplary of embodiments of the present invention.

[0031] Computing device **30** may be also network aware. To that end computing device **30** may include a network interface **47**, allowing computing device **30** to be interconnected to a data network, such as a local or wide area network, a cellular or optical network, or the like. Network interface **47** may for example, be an Ethernet interface, a GSM interface, a Wi-Fi interface, or the like.

[0032] As will become apparent, computing device **30** using conventional machine vision techniques may use sensors **34** to sense the contents of each compartment **32**. Under software control, computing device **30** may then control what is being displayed on each of screens **22** in dependence of the contents of compartments **34**. Likewise, audio presented to transducers **38** may be varied in dependence on the contents of compartments **32**.

[0033] The machine vision techniques may determine the presence of a particular indicia on items to be placed on a shelf **26**, or user interaction with such items. For example, the machine vision may detect a particular type of label or other indicia on an item. The label could be a colour pattern, a one or two dimensional bar code (or glyph), a unique marking or the like. Preferably,

the indicia would not be readily perceptible by a consumer, or would not detract from the aesthetic characters of items on a shelf **26**. In an embodiment, the machine vision software may detect the orientation of an item, a change in orientation of the item, or the interaction by a consumer with the item. For example, the machine vision techniques may detect when an item has been moved out of a compartment **32**, or even within a compartment **32**, or when its orientation has changed. A change in orientation and position, may for example be detected when the indicia of interest has changed position or orientation within the field of view of the camera acting as an associated sensor **34**. Likewise it may determine the proximity of another item, or a consumer's hand or appendage. Software may thus be able to readily determine the contents of each shelf and the interaction of a customer with an item on the shelf.

[0034] A simplified organization of software components **60** and relevant data **62** stored within persistent memory (i.e. memory **48**) of computing device **30** is depicted in **FIG. 4**. As will be appreciated, the depicted software components may be loaded from a computer readable medium and stored within persistent memory **48** at computing device **30**. The software components may be created using any of a numbering programming languages, techniques, and tools known to those of ordinary skill. As illustrated, software components may include an operating system software **70**, application software **72** exemplary of embodiment of the present invention.

[0035] Relevant data **62** may include display/video files **74**; audio files **76**. Display/video files **74** may be video, picture, or other visual data or scripts for the presentation of graphics relevant to items to be showcased in display system **10**. In an embodiment, the display/video files **74** may be computer rendered video files, rendered using 3D rendering software such as Autodesk's 3ds Max, Autodesk's 3D Studio Max, and/or Autodesk's MAYA or similar software packages. In alternate embodiments, display/video files **74** may be recorded/produced video files advertising a product of interest, or illustrating it in use.

[0036] Application software **72** may include a control component **78**, controlling overall operation of shelving system **10**, a machine vision component **80**; audio/video codecs **82**; and a interface component **84**. Machine vision component **80** interacts with sensors **34** to detect the presence of items in compartments **32**. Audio/video codecs **82** control graphics and audio subsystems **42** and **46** of computing device **30** to present video on screens **22**, and provide audio to transducers **38**. Interface component **84** may receive user input from an external interface such as a keyboard or kiosk (both not specifically illustrated) or the like. Alternatively, interface component **84** may receive user commands by way of a network such as a wireless or inter network. To this end, software components **60** (e.g. operating system **70**) may include conventional networking components to allow computing device **30** to be connected to a local area network, or wide area network to receive network traffic from a local or wide area network, which may in turn be in communication with known wireless (e.g. cellular) networks and the Internet, through the described optional network interface. Interface component **84** may further influence the overall operation of shelving system **10**, as detailed below.

[0037] A simplified flow chart of shelving system **10**, in operation, is illustrated in **FIG. 5**. Compartments **32** of shelving system **10** are loaded with items that may be detected by sensors **34**. In one embodiment, the items may be merchandise for sale. The merchandise may be specially tagged or marked for easy recognition by sensors **34**. Merchandise, may for example include visible one or two dimensional bar codes, tags, colour codes, or the like. Computing device **30** using machine vision software component **80** and sensors **34** may uniquely identify known contents of each compartment **32** by identifying associated indicia on the merchandise contained within each compartment using conventional machine vision techniques, as described above. In this way, software at computing device **30** may accurately at each point in time assess the content of each compartment, and the state of shelving unit **12** in block **S502**.

[0038] Knowing the content of each compartment **34** allows computing device

30 to control the presentation of video within each compartment. In block **S504**, computing device **30** selects a desired video from video files **74**, for presentation on the multiple screens **22** in dependence on the content of the multiple compartments **32**. For example, computing device **30** may present video in each compartment **32** that is representative of one or more items contained in the associated compartment **32**. Alternatively, video associated with items in an adjacent compartment (e.g. the compartment above or below a particular compartment) may be presented in that compartment.

[0039] Likewise audio corresponding to the state may be presented through transducers **38** in block **S506**. Optionally, audio may be controlled by transitions from states of shelving unit **12**, or other indicators provided by sensors **34** rather than by the state of shelving unit **12**. So, for example, the selected audio may be chosen in dependence on the last item moved by a user, rather than by contents of compartments **32**.

[0040] Likewise, other indicators provided by sensors **34** may further refine the video being presented on screens **22**. For example, the orientation (or change thereof), user interaction (touch), or the like of items in a compartment **26**, as sensed by an associate sensor **34** may further cause computing device **30** to select an appropriate video for presentation on one more of screens **22**.

[0041] Blocks **S502-S506** may be re-performed any time the state of shelf unit **12** changes (i.e. an item in one of compartments **32** is removed, or moved to another shelf). As well, other feedback from sensors **34** (e.g. the detection of user interaction; the movement of an item within a compartment; etc.) may be used as an indicator that blocks **S502-S506** should be performed or other action should be taken. Likewise, interaction by a user with the user interface presented by or otherwise in communication with control/interface component **84** may influence presented video and audio.

[0042] For example, further user input may be solicited and video presented in each compartment **32** may be varied based on that further input. In this way,

user may for instance, identify options for a particular item (e.g. colour, size, usage etc.) by way of a user interface and video in a particular compartment **32** may be presented reflective of that usage scenario. In this way for instance, a user may be presented with a particular sample of an item and then be allowed to see video of that item in different colours or environments in dependence on input. Such input may, for example, be provided by interacting with the item (e.g. placing a hand or other item or object into an associated compartment or by user input through an external peripheral such as the described keyboard or user input by way of a network such as by way of a cell phone or the like). Again, as the user interacts with the interface, the video for a particular compartment **32** may be changed, or different audio may be provided to transducers **38**, by device **30**.

[0043] The foregoing description presumes a finite number of primary states known to device **30**. In each state, video presented for each display **22** may be determined. Each state may actually correspond to an arrangement of multiple items in each compartment **32**. The contents of the compartment (and the state of shelf **12**) may be approximated so that a known state is assessed. For example, if only states with one or no items in each compartment are known/contemplated, device **30** may approximate a state if two or more items are found in any compartment, by assuming the compartment with two items only has a single item. Alternatively, states may be maintained for any compartment that has unknown/unrecognized content.

[0044] In a simple case for instance, each compartment may be well suited to store a single item. Computing device **30** in turn senses the nature of the item in each compartment **32** and begins playback of associated video for that item in that compartment. In that way, computing device **30** may present as many independent video streams as there are compartments all based on the content of an associated compartment.

[0045] In a slightly more complicated scenario, a shelf **12** having four

compartments, may be used to showcase four unique items – for example a Vase (V); an item of cutlery (C); a figurine (F); and a plate (P). Zero, one, two, three or four items may be placed in each compartment **32**. Video corresponding to no item; any one of the four items; any two of the four items; any three of the four items; and all four of the items may be stored within memory **48**. In this way, video information about multiple items together may be presented on each screen **22**. The number of unique states will be $4 \times (1+4+6+4+1) = 64$. Depending on which items are in which compartment, computing device **30** may display corresponding video on the display for that compartment. As an item is moved from one compartment **32** to another, computing device **30** may sense a change of state of shelf unit **12** and may present video on the multiple displays corresponding to the change.

[0046] Conveniently, as may be appreciated, shelving system **10** may be put in a display environment in an empty state playing overall promotional material for a retail establishment. Further, as customers interact with merchandise within the retail establishment, the merchandise may be brought to shelving system **10**. Shelving system **10** in turn may determine the content of each compartment and present promotional material specific to the item placed in the compartment. In this way, shelving system **10** may be used as an information kiosk for items otherwise located within the retail establishment.

[0047] In more complex scenarios, the position and interaction of each item may be taken into account when determining the state of system **10**, as described above.

[0048] In the depicted embodiment, shelving system **10** includes compartments **32** arranged in an array. In the depicted embodiment, shelving system **10** includes an array of four shelves arranged vertically. As will be appreciated, the array could easily be two dimensional (i.e. $m \times n$ in size). Further, shelves need not be arranged in any particular geometric configuration, but could be arranged randomly or around a shelf of a particular shape (e.g. oval,

egg-shaped, or the like).

[0049] As will be appreciated, shelving system **10** may be generalized beyond four or eight compartments. Moreover, a shelf unit **12** may house more than one logical shelving system. For example, compartments on each side of shelf unit **12** may co-operate to form a shelving system (like shelving system **10**), exemplary of an embodiment of the present invention. In this way, a single shelf unit **12** may form two or more independent interactive shelf systems, without allowing interaction with one shelf system to affect the other. Likewise, a single shelving system **10** could span two or more physical shelf units, like shelf unit **12**.

[0050] As well, in the depicted embodiment, shelving system **10** includes two opposing arrays of shelves, one behind the other. Again, a person skilled in the art will appreciate that shelving system **10** need only include shelves on one side. In this way, shelving system **10** could be placed against a wall or other surface that might obstruct access to one side of the shelving system **10**.

[0051] Additionally, as may now be appreciated, additional peripherals could be added to shelf system **10** to further enhance interaction with a user. For example, shelf system **10** could include a printer to dispense written material in the form of coupons, brochures or the like in dependence on the state of shelf unit **12**. Likewise, system **10** could include an output interface on computing device **30** to provide data dependent on the state of shelf unit **12** to a user by way of a smart phone, personal digital assistant or the like. Further system **10** could include a fragrance dispenser containing one or more fragrances. Interaction with system (e.g. causing a shelf unit **12** to assume a particular state; providing user input; etc.) could cause computing device to dispense one or more scents related to the contents of compartments **32**.

[0052] Possibly, system **10** could also include an input peripheral for determining the identity of a consumer interaction with system **10**. The input peripheral could be a scanner for loyalty cards, or a cellular network interface that determines the phone number or IMEI of a customer's cell phone. Of course

collected input data, including a customer's identity, and interaction with system **10** (e.g. items of interest) could be logged in a database for later use and retrieval.

[0053] As well, cameras **34** could be replaced with other visual sensors, or other item sensors known to those of ordinary skill.

[0054] In an alternate embodiment, the base of shelf **12** could house a rotary motor that may function to rotate shelf unit **12** about an axis parallel to spine **54**. The motor may rotate shelf **12** in synchronism with other shelves, at a very slow rate not immediately perceptible to a consumer. The motor may cause back and forth rotation of a shelf **12**, by less than 360° (e.g. 340° or less) to allow cabling to extend to shelves **26**. Alternatively a special coupling could be used to allow 360° rotation of shelf **12**.

[0055] In yet alternate embodiments, system **10** may be adapted to include less screens than compartments. To that end, **FIGS. 6A** and **6B** illustrate a further display system **100**, exemplary of an embodiment of the present invention. Display system **100** includes a plurality of shelves **126**, each accompanied by a sensor **134** (like sensor **34**) operable to detect the contents of a shelf **126** using machine vision techniques as described above. A single screen **122**, in the form of a projection screen, LCD, plasma, phosphour or similar screen may present visual information in dependence on the state of the shelves **126** of system **100**. Shelves **126** and screen **122** may be mounted on an upwardly extending spine **154**, at appropriate spacing and positions. In the depicted embodiment, screen **122** is at the average eye level of a target customer.

[0056] Shelves may be closed at their sides as in **FIG. 6B**, thus defining compartments **132**, or open as in **FIG. 6A**.

[0057] A computing device (like computing device **30**, but not shown) controls overall operation of system **100** as described above.

[0058] In a particular usage scenario, system **100** may be used for the sale and promotion of cosmetic goods. User interaction with items on shelves **126** as detected by machine vision, may prompt screen **122** to be animated with an avatar or video, representative of sales and promotional information. Additional sensor(s) may sense the proximity of a customer, viewing angle and the like. Such additional sensed conditions may be used in determining video and audio to be presenting, thereby enhancing the customer experience.

[0059] To that end, system **100**, like system **10** may include peripheral that collect user information, and provide information and samples. In a particular embodiment, system **100** may include fragrance dispensers, cosmetic sample pumps and the like.

[0060] Of course, the above described embodiments are intended to be illustrative only and in no way limiting. The described embodiments of carrying out the invention are susceptible to many modifications of form, arrangement of parts, details and order of operation. The invention, rather, is intended to encompass all such modification within its scope, as defined by the claims.

WHAT IS CLAIMED IS:

1. A shelving system comprising:
 - a plurality of compartments;
 - a plurality of display screens, with one display screen mounted in each of said compartments behind an article display surface;
 - at least one content sensor for sensing the content of each one of said compartments; and
 - at least one computing device in communication with said display screens and said at least one sensor for presenting sales and promotional information on said display screens in dependence on the contents of said compartments as sensed by said sensors.
2. The shelving system of claim 1, wherein said compartments are arranged in an array.
3. The shelving system of claim 1 wherein said array is one dimensional.
4. The shelving system of claim 1, wherein said array is two dimensional.
5. The shelving system of claim 1, wherein each one of said compartments is generally rectangular and each of said display screens comprises a monitor.
6. The shelving system of claim 1, wherein each of said monitors is an LCD monitor.
7. The shelving system of claim 1, wherein each of said content sensors comprises a camera.

8. The shelving system of claim 7, wherein each of said compartments comprises a bottom support shelf formed of a transparent material.
9. The shelving system of claim 8, wherein each of said cameras is mounted below a bottom shelf of an overhead one of said compartments.
10. The shelving system of claim 1, wherein said shelving system comprises a plurality of opposing compartments.
11. The shelving system of claim 1, wherein the computing device provides video in each of said compartments in dependence on the contents of said compartments.
12. The shelving system of claim 1, wherein said video comprises animation of products contained in said compartment in use formed by three-dimensional rendering software.
13. A shelving system comprising:
 - a plurality of shelves;
 - at least one display screen;
 - at least one camera, for optically detecting the contents of each one of said shelves; and
 - at least one computing device in communication with said display screen and said at least one camera for presenting sales and promotional information on said display screen in dependence on the contents of said compartments as sensed by said sensors.
14. The shelving system of claim 13, wherein said computing device determines at least one of the nature of items; the orientation of items; the movement of items and the interaction of customers with items on said shelves, using said at least one camera.

15. A method of operating an interactive shelving systems comprising a plurality of compartments for receiving items, with at least one display screen in each of said compartments, said method comprising:

sensing the contents of identifiable items in each of said compartments, and

presenting sales and promotional information on said display screens in dependence on the contents of said plurality of compartments as sensed.

1/6

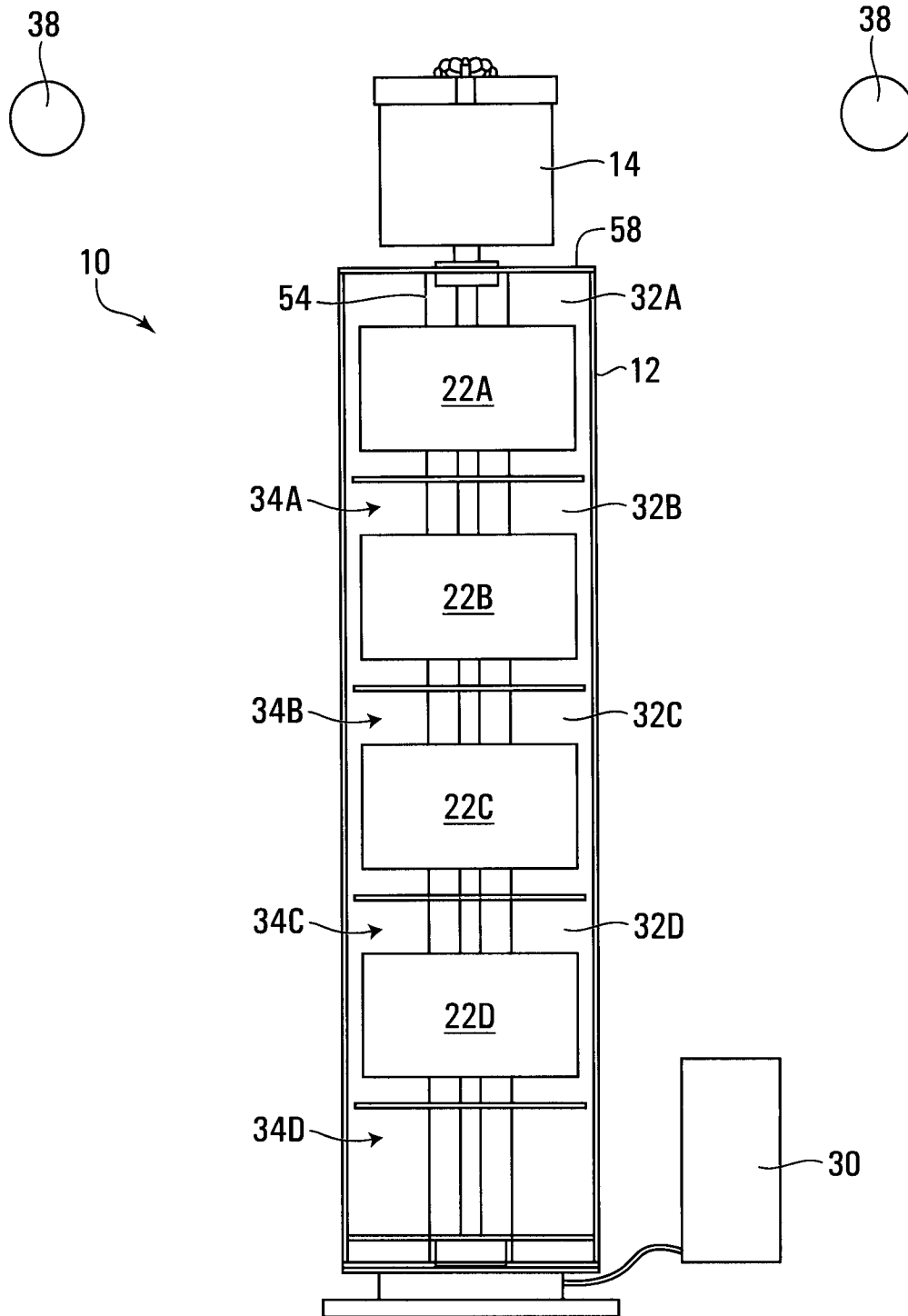


FIG. 1

2/6

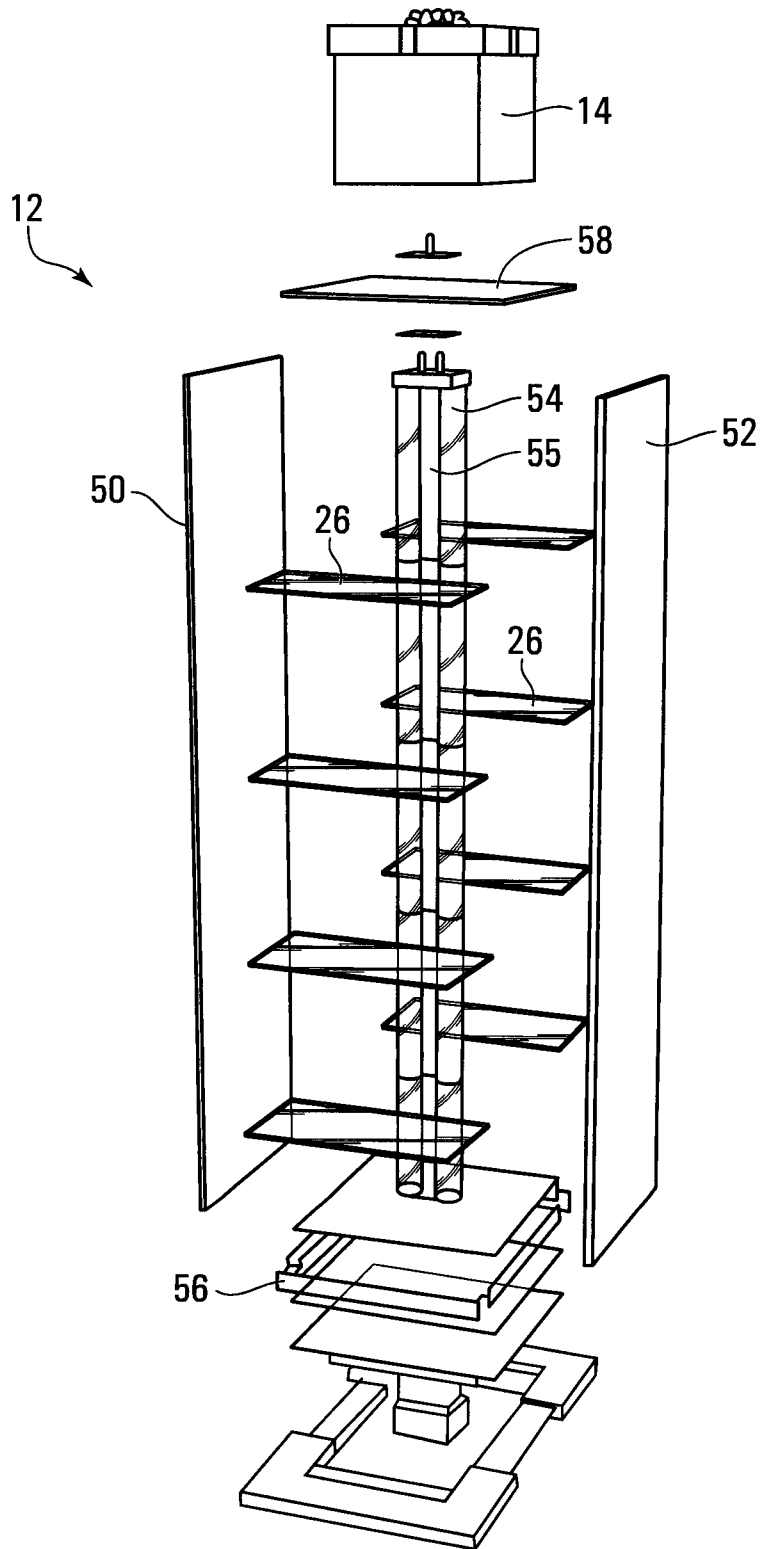


FIG. 2

3/6

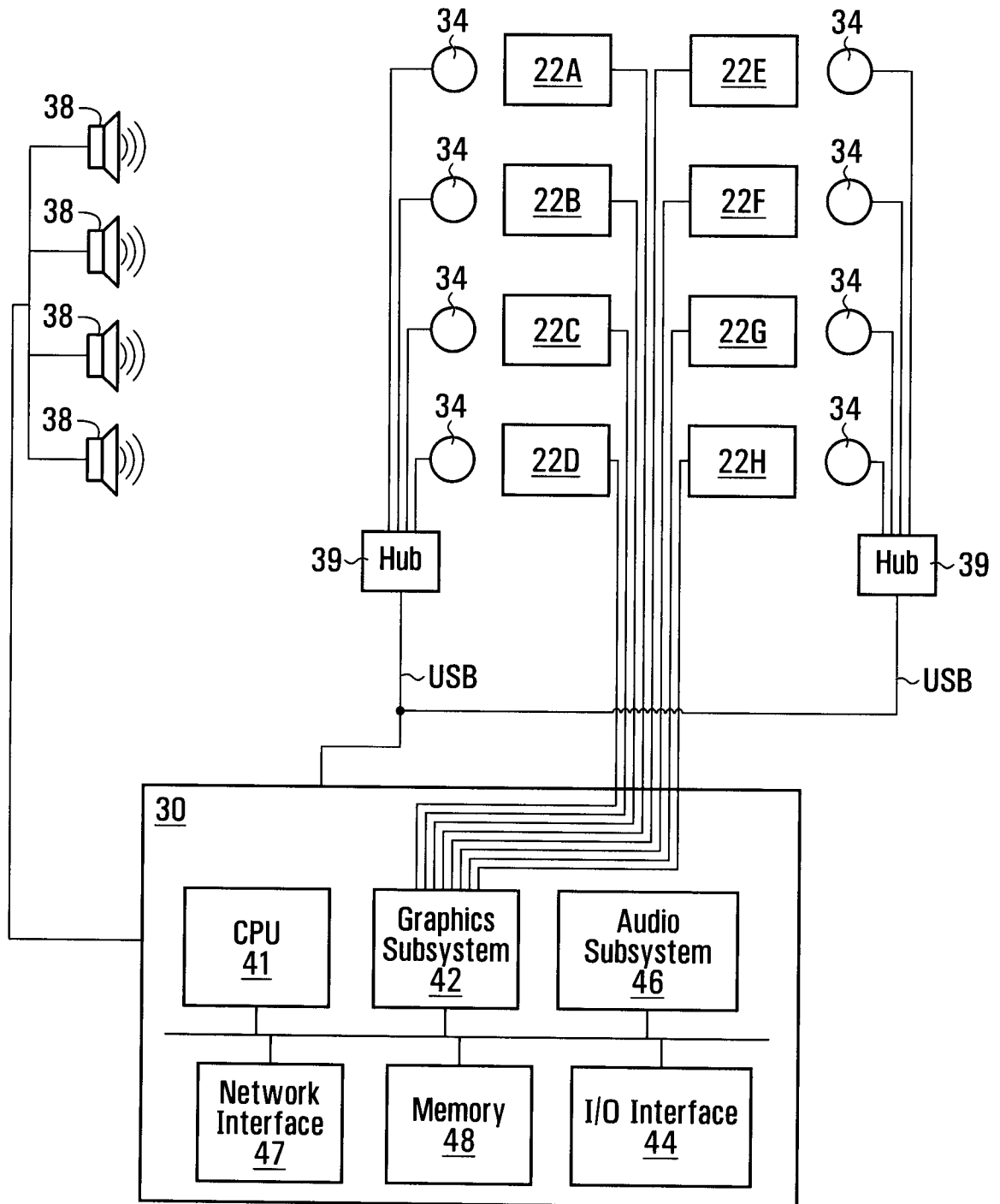


FIG. 3

4/6

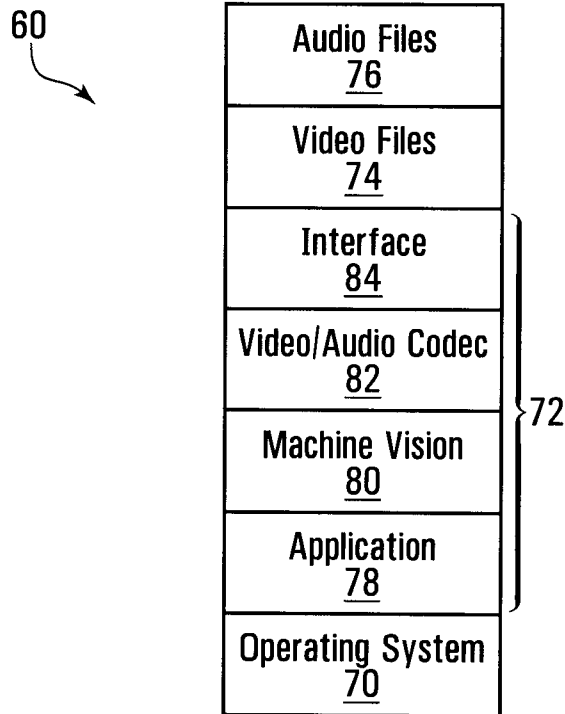


FIG. 4

5/6

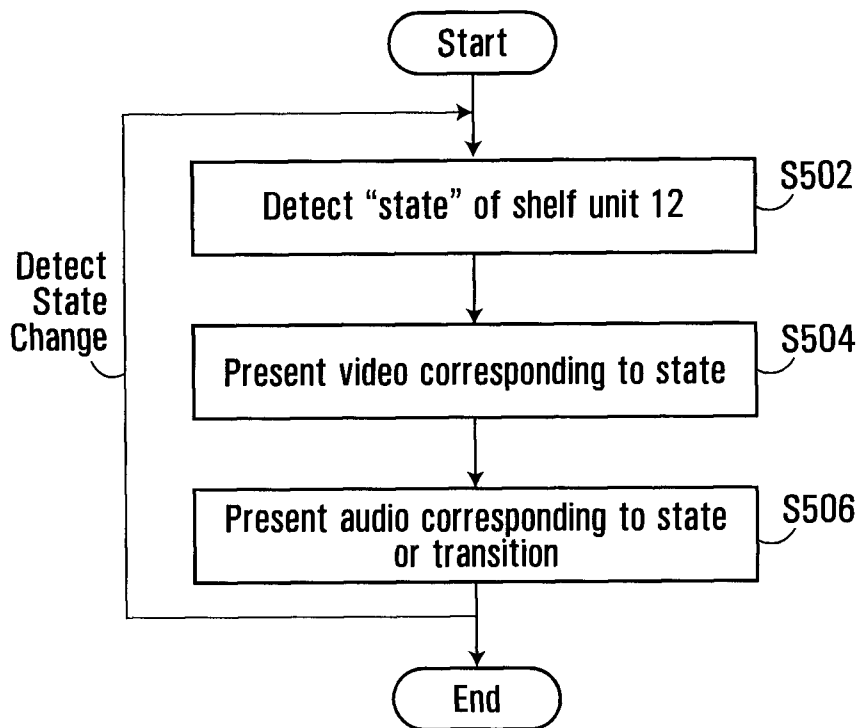


FIG. 5

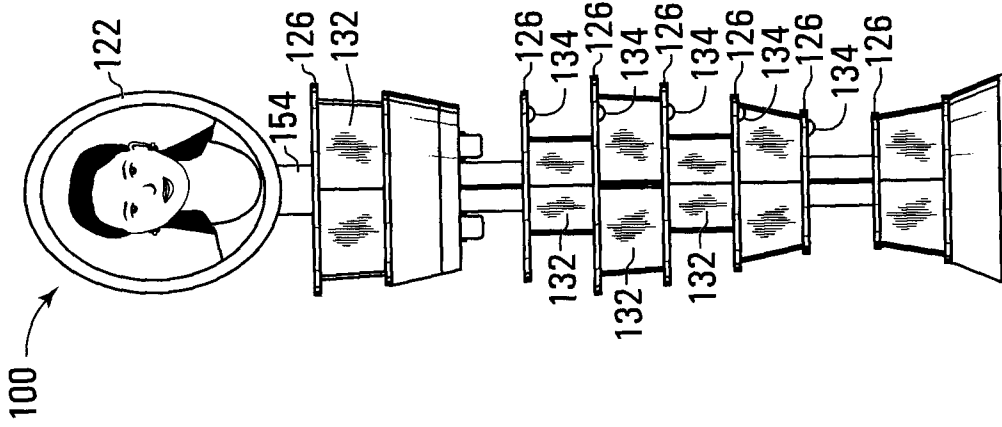


FIG. 6B

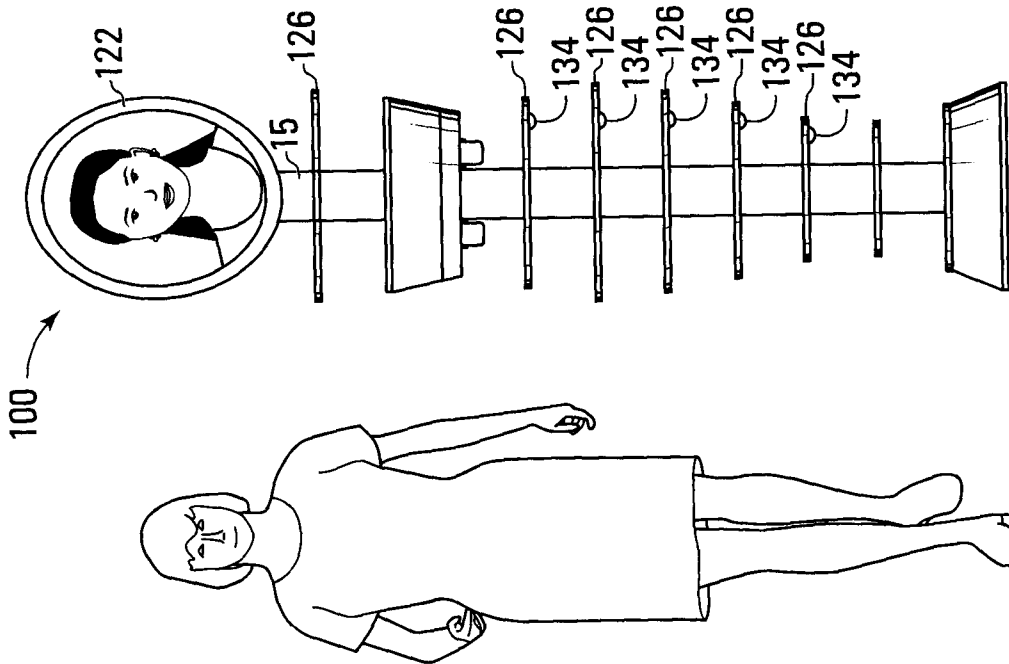


FIG. 6A

INTERNATIONAL SEARCH REPORT

International application No.
PCT/CA2011/000412

A. CLASSIFICATION OF SUBJECT MATTER IPC: A47F 11/00 (2006.01) , A47B 97/00 (2006.01) , A47F 3/00 (2006.01) , B65G 1/02 (2006.01) , G09F 9/00 (2006.01) According to International Patent Classification (IPC) or to both national classification and IPC		
B. FIELDS SEARCHED		
Minimum documentation searched (classification system followed by classification symbols) IPC: A47F11/00, A47B97/00, A47F3/00, B65G1/02		
Documentation searched other than minimum documentation to the extent that such documents are included in the fields searched		
Electronic database(s) consulted during the international search (name of database(s) and, where practicable, search terms used) EPOQUE (Epodoc), CPD Keywords: sensor, optical, camera, screen, display, monitor, projection, shelving, shelves, compartments, interactive, video, image, contents, sales, promotional, advertising		
C. DOCUMENTS CONSIDERED TO BE RELEVANT		
Category*	Citation of document, with indication, where appropriate, of the relevant passages	Relevant to claim No.
Y	JP2008200256 (Toshiba Tec, Uchida Yoko) 4 September 2008 (04-09-2008)	1-15
Y	JP2003104554 (Sato) 9 April 2003 (09-04-2003)	1-15
A	EP2074911 (Delicarta) 1 July 2009 (01-07-2009)	1-15
<input type="checkbox"/> Further documents are listed in the continuation of Box C. <input checked="" type="checkbox"/> See patent family annex.		
* Special categories of cited documents :	"T"	later document published after the international filing date or priority date and not in conflict with the application but cited to understand the principle or theory underlying the invention
"A" document defining the general state of the art which is not considered to be of particular relevance	"X"	document of particular relevance; the claimed invention cannot be considered novel or cannot be considered to involve an inventive step when the document is taken alone
"E" earlier application or patent but published on or after the international filing date	"Y"	document of particular relevance; the claimed invention cannot be considered to involve an inventive step when the document is combined with one or more other such documents, such combination being obvious to a person skilled in the art
"L" document which may throw doubts on priority claim(s) or which is cited to establish the publication date of another citation or other special reason (as specified)	"&"	document member of the same patent family
"O" document referring to an oral disclosure, use, exhibition or other means		
"P" document published prior to the international filing date but later than the priority date claimed		
Date of the actual completion of the international search 22 August 2011 (22-08-2011)	Date of mailing of the international search report 24 August 2011 (24-08-2011)	
Name and mailing address of the ISA/CA Canadian Intellectual Property Office Place du Portage I, C114 - 1st Floor, Box PCT 50 Victoria Street Gatineau, Quebec K1A 0C9 Facsimile No.: 001-819-953-2476	Authorized officer Alexis Cote (819) 934-8532	

INTERNATIONAL SEARCH REPORT
Information on patent family members

International application No.
PCT/CA2011/000412

Patent Document Cited in Search Report	Publication Date	Patent Family Member(s)	Publication Date
JP2008200256A	04 September 2008 (04-09-2008)	None	
JP2003104554A	09 April 2003 (09-04-2003)	None	
EP2074911A1	01 July 2009 (01-07-2009)	EP2074911A1 ITFI20070287A1	01 July 2009 (01-07-2009) 20 June 2009 (20-06-2009)