



US00D768903S

(12) **United States Design Patent** (10) **Patent No.:** **US D768,903 S**
Guzzini (45) **Date of Patent:** **** Oct. 11, 2016**

(54) LUMINAIRE	7,465,070 B2 * 12/2008 Engel F21S 2/00 362/147
(71) Applicant: Iguzzini Illuminazione S.P.A. , Recanati (IT)	D632,821 S * 2/2011 Culbert D26/74 D639,994 S * 6/2011 Wauters D26/83 D696,447 S * 12/2013 Huh D26/74 D698,970 S * 2/2014 Guzzini D26/74 D698,971 S * 2/2014 Guzzini D26/74 D698,972 S * 2/2014 Guzzini D26/74 D699,385 S * 2/2014 Guzzini D26/74 D699,880 S * 2/2014 Szoke D26/74 D715,476 S * 10/2014 Tien D26/74
(72) Inventor: Adolfo Guzzini , Recanati (IT)	
(73) Assignee: Iguzzini Illuminazione S.P.A. , Recanati (IT)	2015/0369448 A1 * 12/2015 Clauss F21V 31/005 362/311.02
(**) Term: 15 Years	

(21) Appl. No.: **29/531,071**

(22) Filed: **Jun. 23, 2015**

(30) **Foreign Application Priority Data**

Dec. 23, 2014 (EP) 002604660-0017

(51) **LOC (10) Cl.** **26-05**

(52) **U.S. Cl.**
USPC **D26/74**

(58) **Field of Classification Search**

USPC D26/74, 72, 75, 76, 77, 78, 85, 88, 89,
D26/118, 138, 141; 362/364, 365, 373, 145,
362/146, 147, 148, 150, 153, 153.1, 294,
362/296.01, 296.07, 296.08

CPC ... F21V 29/2262; F21V 7/06; F21V 21/044;
F21V 21/047; F21V 29/2212; F21V 29/2225;
F21V 29/2256; F21V 29/225; F21V 29/2268;
F21Y 2111/002; F21S 8/02; F21S 8/026
See application file for complete search history.

(56) **References Cited**

U.S. PATENT DOCUMENTS

D551,379 S * 9/2007 Maxik D26/74
D569,024 S * 5/2008 Redfern D26/74

* cited by examiner

Primary Examiner — Angela J Lee

(74) *Attorney, Agent, or Firm* — Stetina Brunda Garred & Brucker

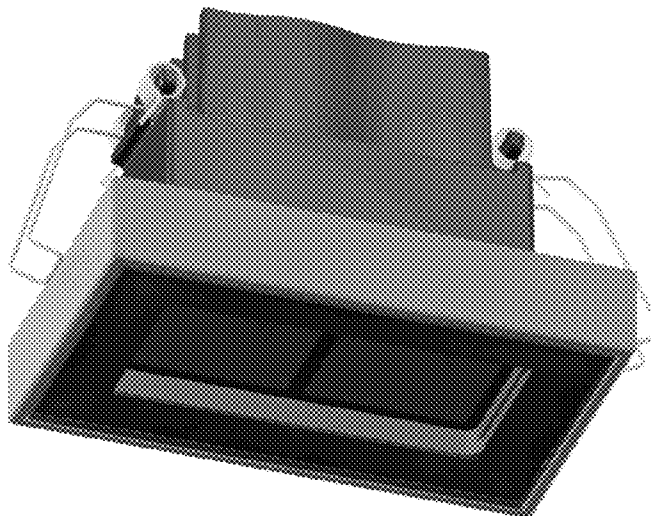
(57) **CLAIM**

The ornamental design for luminaire, as shown and described.

DESCRIPTION

FIG. 1 is a front perspective view of the luminaire of the present invention showing my new design;
FIG. 2 is a front view thereof;
FIG. 3 is a right view thereof;
FIG. 4 is a left view thereof;
FIG. 5 is a back view thereof;
FIG. 6 is a top view thereof; and,
FIG. 7 is a bottom view thereof.

1 Claim, 7 Drawing Sheets



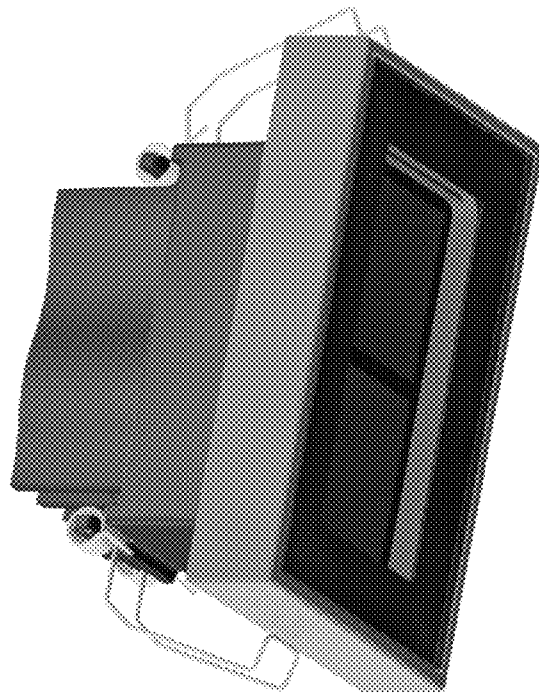


FIG. 1

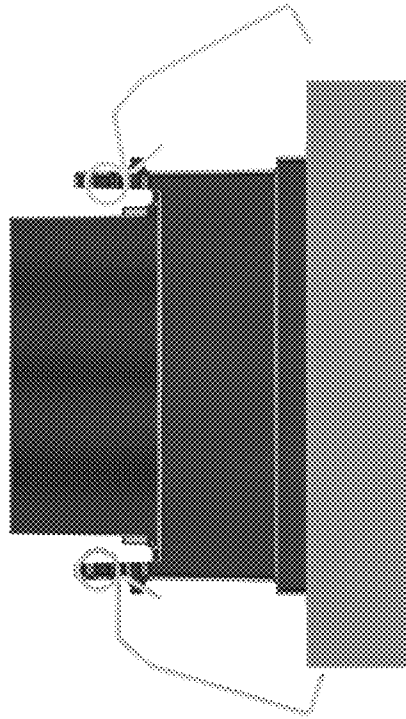


FIG. 2

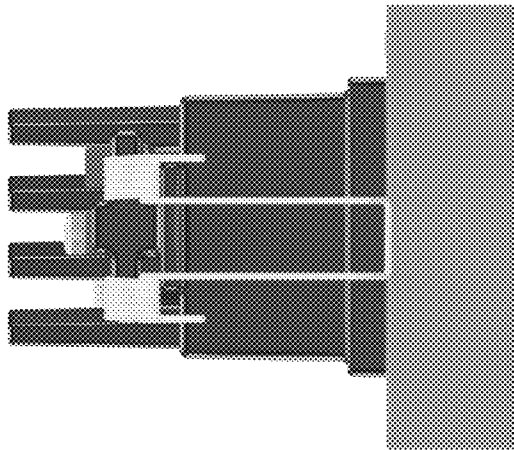


FIG. 3

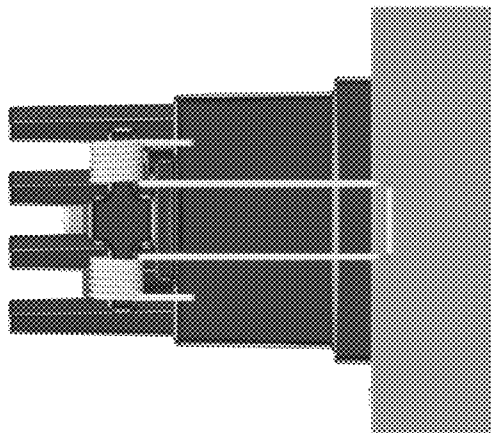


FIG. 4

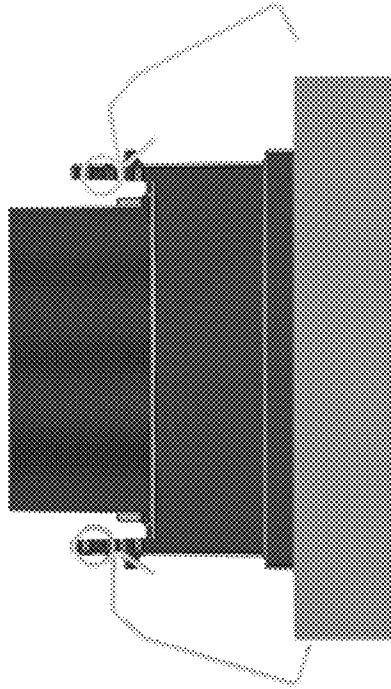


FIG. 5

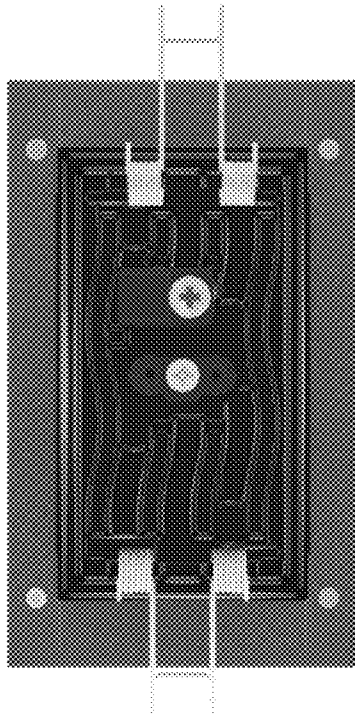


FIG. 6

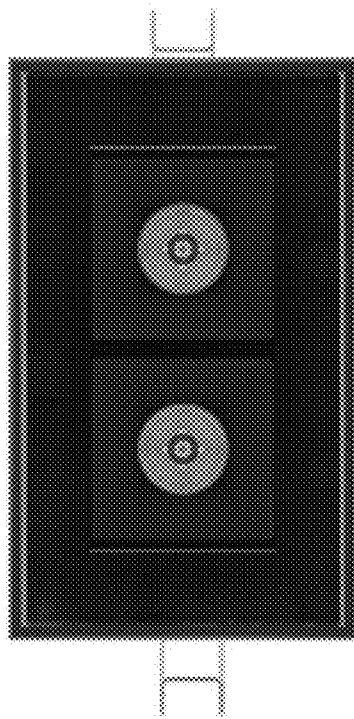


FIG. 7