



US00D891709S

(12) **United States Design Patent**
Coopersmith et al.

(10) **Patent No.:** **US D891,709 S**

(45) **Date of Patent:** **** Jul. 28, 2020**

(54) **ANIMAL DENTAL HYGIENIC DEVICE**

D677,441 S * 3/2013 Renforth D30/160
D838,418 S * 1/2019 Zelinger D30/160
D862,806 S * 10/2019 Liu D30/158
2018/0243063 A1* 8/2018 Coopersmith A01K 15/026

(71) Applicants: **Allan Coopersmith**, Westmount (CA);
Nathalie Fiset, Westmount (CA)

(72) Inventors: **Allan Coopersmith**, Westmount (CA);
Nathalie Fiset, Westmount (CA)

(73) Assignees: **Allan Coopersmith**, Westmount (CA);
Nathalie Fiset, Westmount (CA)

(**) Term: **15 Years**

(21) Appl. No.: **29/666,360**

(22) Filed: **Oct. 11, 2018**

(51) **LOC (12) Cl.** **30-99**

(52) **U.S. Cl.**

USPC **D30/158**; D30/160

(58) **Field of Classification Search**

USPC D30/158, 160; 119/702, 706-711;
601/121; D24/195

CPC A01K 15/024; A01K 15/025; A01K 15/26;
A01K 15/27; A61J 17/00; B65D 17/163;
B65D 17/165

See application file for complete search history.

(56) **References Cited**

U.S. PATENT DOCUMENTS

5,263,436 A * 11/1993 Axelrod A01K 15/026
119/710

D417,319 S * 11/1999 Weiss, Jr. D30/119

D451,651 S * 12/2001 Kaplan D24/211

D453,242 S * 1/2002 Kaplan A01K 15/026
D30/160

D496,141 S * 9/2004 Tepper D1/106

D496,518 S * 9/2004 Tepper D1/106

D496,773 S * 10/2004 Tepper D1/199

D511,030 S * 10/2005 Byrne D30/160

D534,694 S * 1/2007 Pozzoni D30/160

D576,357 S * 9/2008 Rutherford D30/160

D578,726 S * 10/2008 Edwards D1/109

D586,976 S * 2/2009 Lundwall D1/109

OTHER PUBLICATIONS

“Chewbrush Toothbrush” available Aug. 23, 2019, [online], [site visited Jan. 5, 2020]. Retrieved from Internet, URL:https://www.amazon.com/BulbHead-Chewbrush-Toothbrush-Dog-Toy/product-reviews/B07J6QNVHT/ref=cm_cr_getr_d_paging_btm_next_10 (Year: 2019).*

“Chew brush dog teeth cleaner commercial” available Aug. 25, 2018, [online], [site visited Jan. 5, 2019]. Retrieved from Internet, URL:https://www.youtube.com/watch?v=aDELrnTDT04 (Year: 2018).*

* cited by examiner

Primary Examiner — Michael C Stout

Assistant Examiner — Katrina N Gonzalez

(74) *Attorney, Agent, or Firm* — Fasken Martineau
DuMoulin LLP

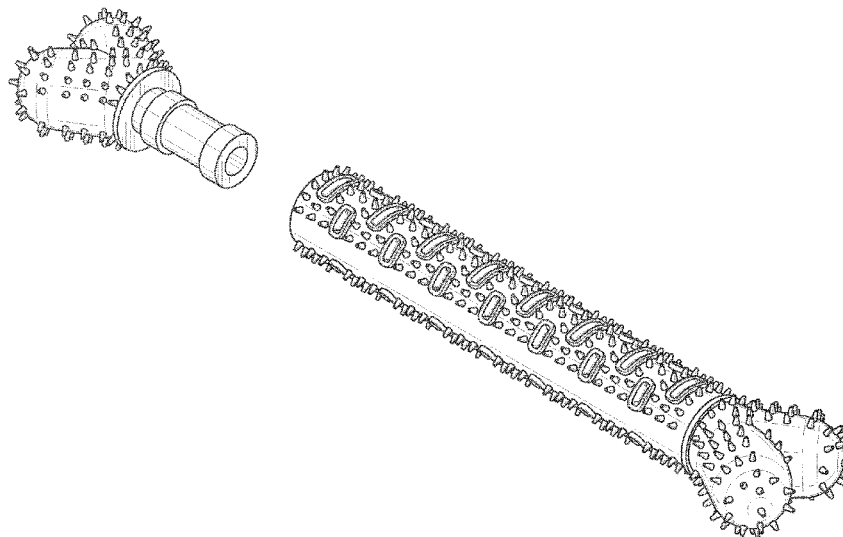
(57) **CLAIM**

The ornamental design for an animal dental hygienic device, as shown and described.

DESCRIPTION

FIG. 1 is a right side elevation view of an animal dental hygienic device according to our design;
FIG. 2 is a front elevation view thereof;
FIG. 3 is a left side elevation view thereof;
FIG. 4 is a rear elevation view thereof;
FIG. 5 is a top plan view thereof;
FIG. 6 is a bottom plan view thereof;
FIG. 7 is a perspective view taken from a top, front, right side thereof; and,
FIG. 8 is an exploded perspective view taken from a top, front, right side thereof.

1 Claim, 8 Drawing Sheets



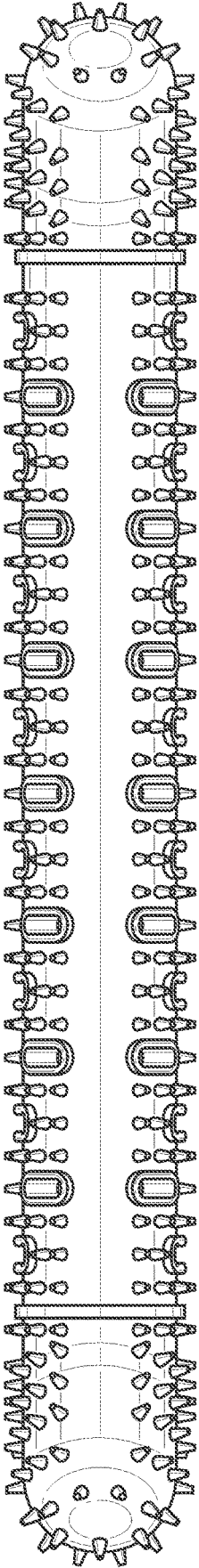


FIG. 1

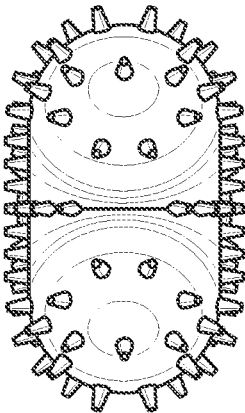


FIG. 2

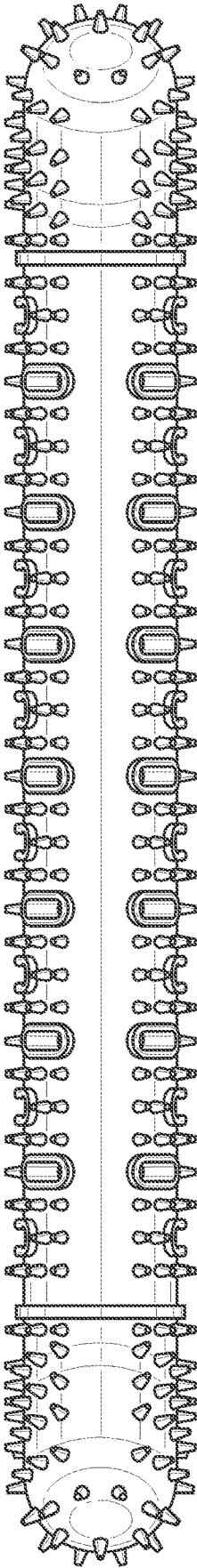


FIG. 3

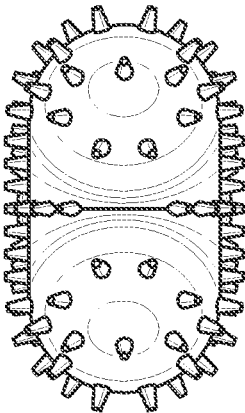


FIG. 4

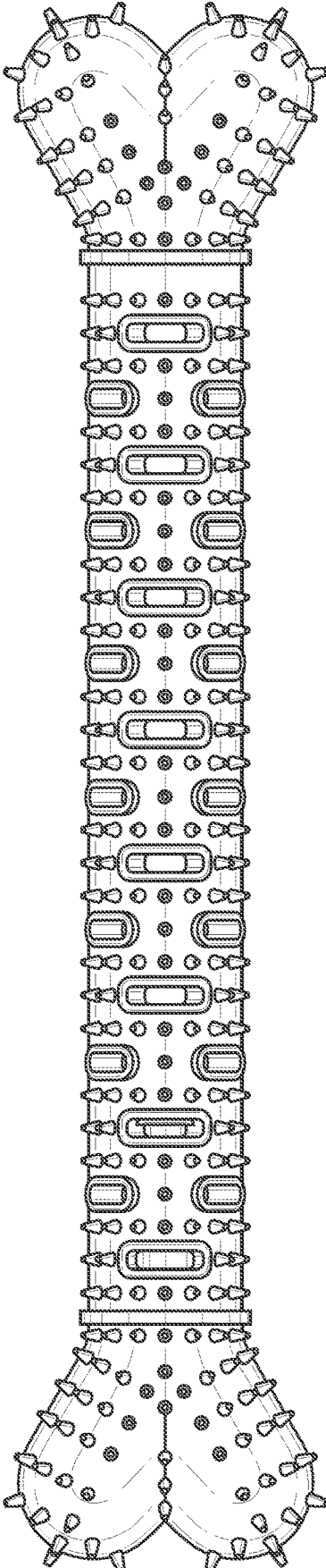


FIG. 5

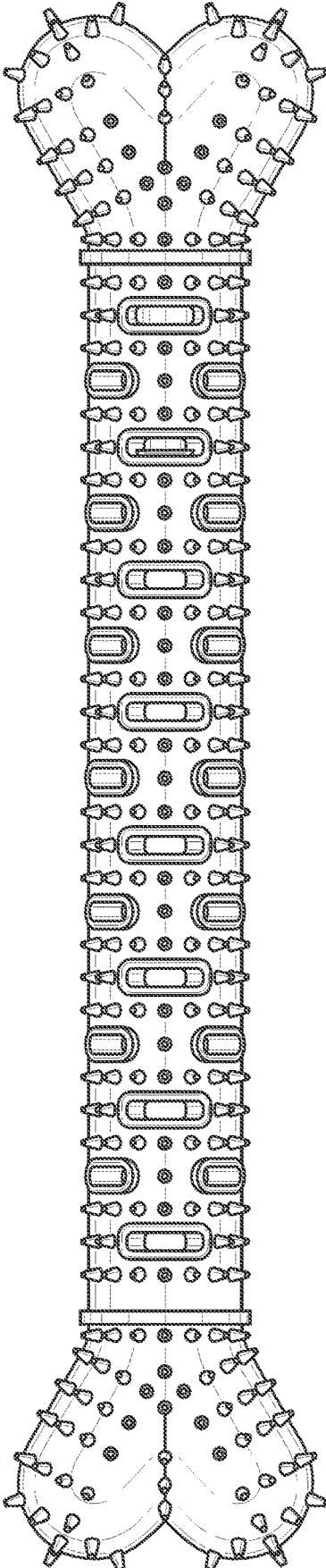


FIG. 6

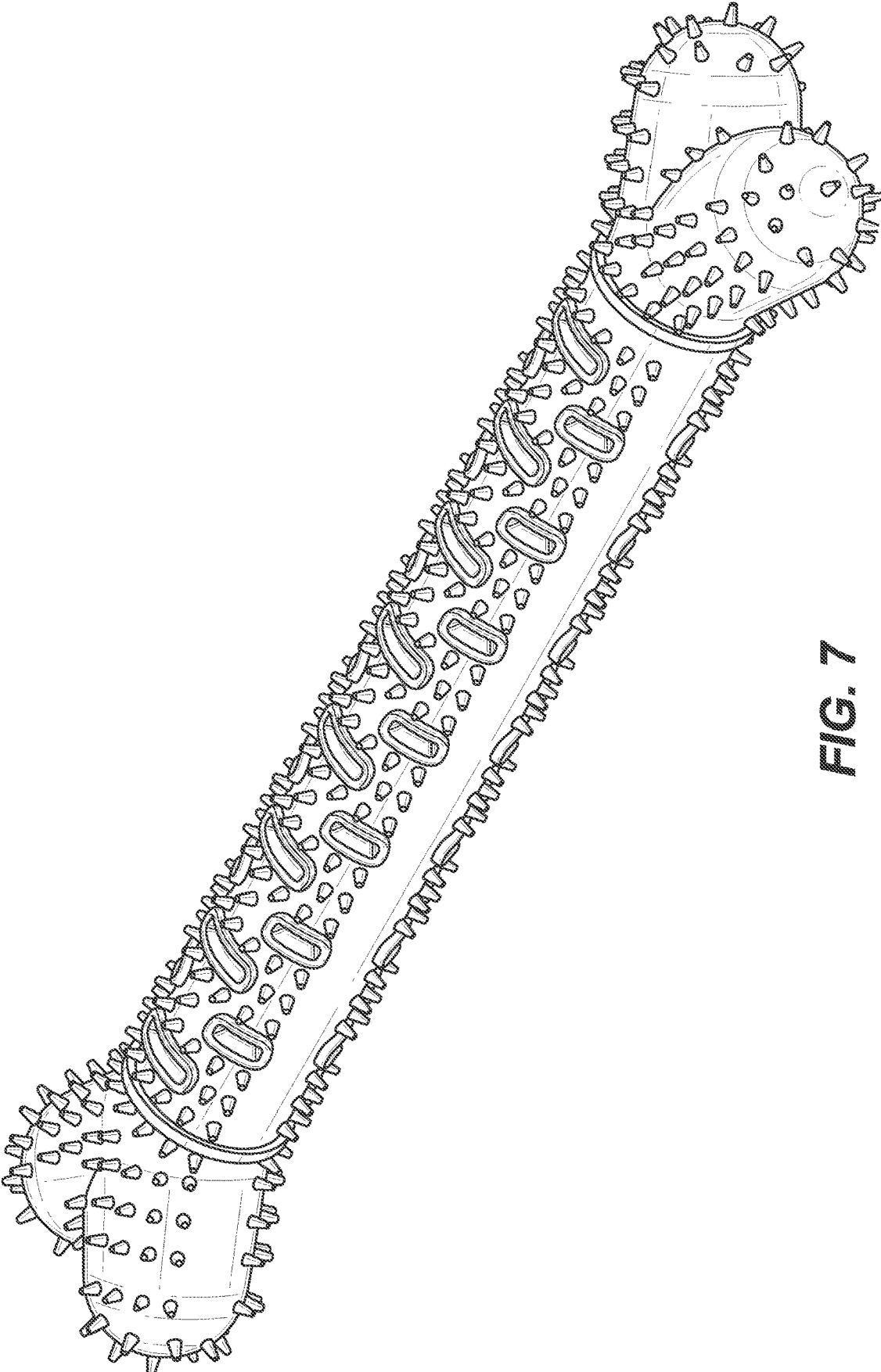


FIG. 7

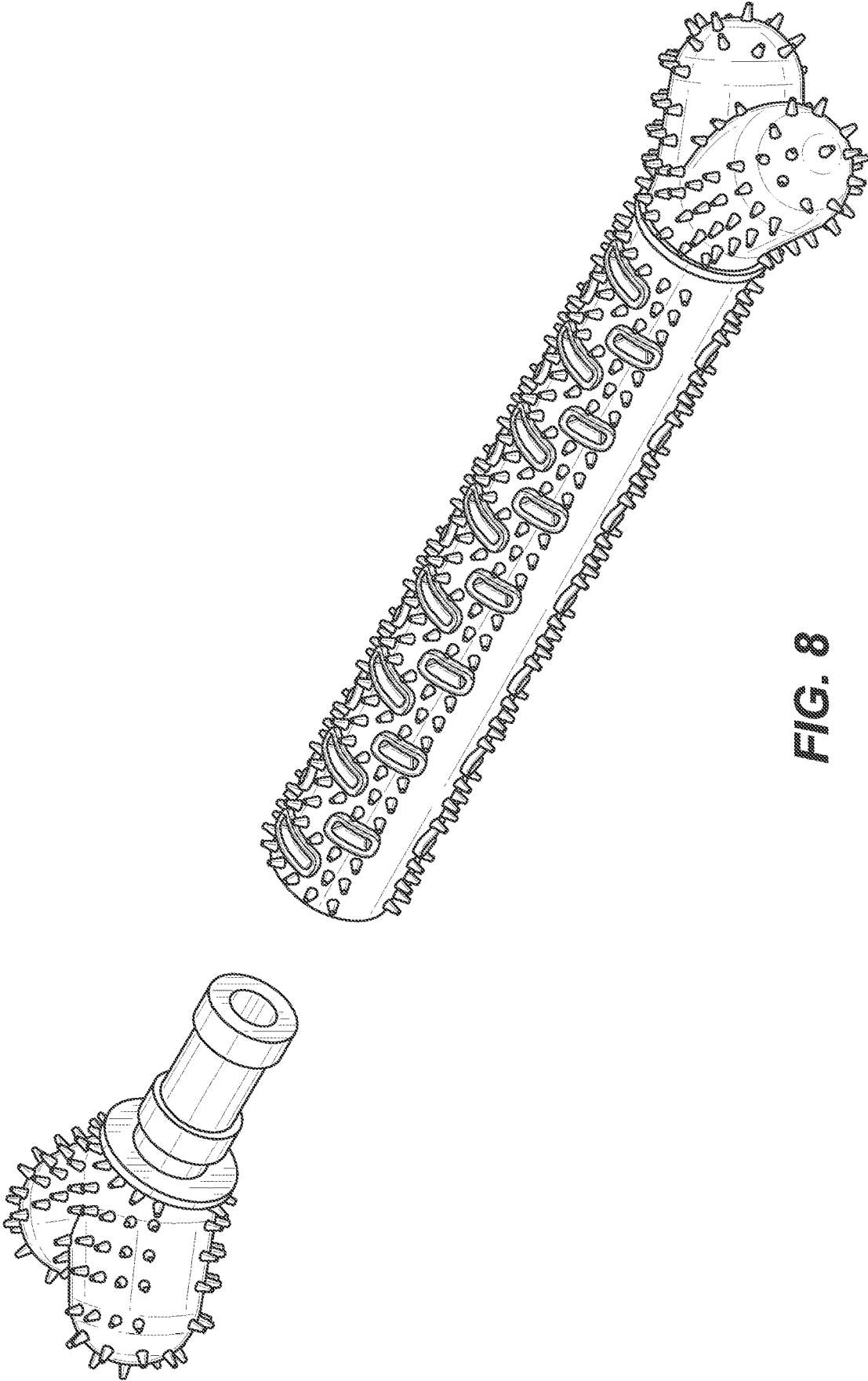


FIG. 8