

(19) World Intellectual Property Organization  
International Bureau



(43) International Publication Date  
30 March 2006 (30.03.2006)

PCT

(10) International Publication Number  
**WO 2006/034273 A3**

(51) International Patent Classification:  
A61B 19/00 (2006.01) A61F 2/12 (2006.01)

(21) International Application Number:  
PCT/US2005/033664

(22) International Filing Date:  
21 September 2005 (21.09.2005)

(25) Filing Language: English

(26) Publication Language: English

(30) Priority Data:  
60/612,018 21 September 2004 (21.09.2004) US  
60/688,964 9 June 2005 (09.06.2005) US

(71) Applicant (for all designated States except US): SHALON VENTURES INC. [US/US]; 532 Emerson Street, Palo Alto, CA 94301 (US).

(72) Inventors; and

(75) Inventors/Applicants (for US only): SHALON, Tadmor [US/US]; 155 Island Drive, Palo Alto, CA 94301 (US). JACOB, Daniel [US/US]; 2344 old Page Mill Road, Palo Alto, CA 94304 (US). SAWAN, Samuel, P. [US/US]; 37 Beverlee Road, Tyngsboro, MA 01879 (US). CAHILL, Sean, S. [US/US]; 2120 Hanover Street, Palo Alto, CA 94306 (US). SOKOLOFF, Norman [US/US]; 12390 Barley Hill Road, Los Altos Hills, CA 94024 (US). WETENKAMP, Scott [US/US]; 131 Hamilton Court, los Altos, CA 94022 (US).

(74) Agents: DIPPERT, William, H. et al.; Wolf, Block, Schorr & Solis-Cohen LLP, 250 Park Avenue, New York, NY 10177 (US).

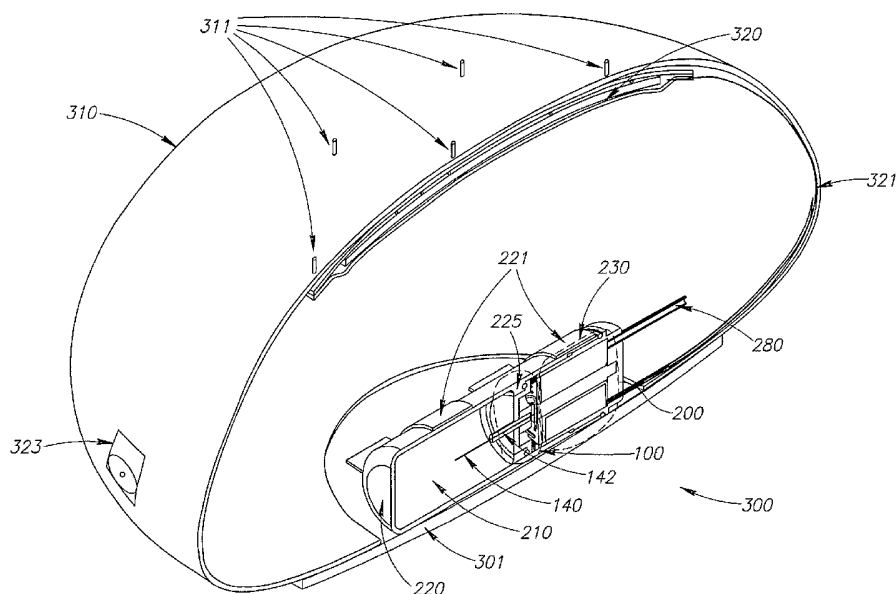
(81) Designated States (unless otherwise indicated, for every kind of national protection available): AE, AG, AL, AM, AT, AU, AZ, BA, BB, BG, BR, BW, BY, BZ, CA, CH, CN, CO, CR, CU, CZ, DE, DK, DM, DZ, EC, EE, EG, ES, FI, GB, GD, GE, GH, GM, HR, HU, ID, IL, IN, IS, JP, KE, KG, KM, KP, KR, KZ, LC, LK, LR, LS, LT, LU, LV, LY, MA, MD, MG, MK, MN, MW, MX, MZ, NA, NG, NI, NO, NZ, OM, PG, PH, PL, PT, RO, RU, SC, SD, SE, SG, SK, SL, SM, SY, TJ, TM, TN, TR, TT, TZ, UA, UG, US, UZ, VC, VN, YU, ZA, ZM, ZW.

(84) Designated States (unless otherwise indicated, for every kind of regional protection available): ARIPO (BW, GH, GM, KE, LS, MW, MZ, NA, SD, SL, SZ, TZ, UG, ZM, ZW), Eurasian (AM, AZ, BY, KG, KZ, MD, RU, TJ, TM), European (AT, BE, BG, CH, CY, CZ, DE, DK, EE, ES, FI, FR, GB, GR, HU, IE, IS, IT, LT, LU, LV, MC, NL, PL, PT, RO, SE, SI, SK, TR), OAPI (BF, BJ, CF, CG, CI, CM, GA, GN, GQ, GW, ML, MR, NE, SN, TD, TG).

Published:  
— with international search report  
— before the expiration of the time limit for amending the claims and to be republished in the event of receipt of amendments

[Continued on next page]

(54) Title: TISSUE EXPANSION DEVICES



(57) Abstract: A tissue expansion device, the device (300) comprising: (a) an expandable compartment (310) adapted for implanting in a body of a subject; and (b) a gas source (210) adapted for implanting in a body of a subject and operably connected to said expandable compartment for inflation thereof by transfer of a gas thereto.

WO 2006/034273 A3



---

**(88) Date of publication of the international search report:**

18 May 2006

*For two-letter codes and other abbreviations, refer to the "Guidance Notes on Codes and Abbreviations" appearing at the beginning of each regular issue of the PCT Gazette.*



## INTERNATIONAL SEARCH REPORT

International application No

PCT/US2005/033664

C(Continuation). DOCUMENTS CONSIDERED TO BE RELEVANT

Category*	Citation of document, with indication, where appropriate, of the relevant passages	Relevant to claim No.
X	WO 97/27829 A (THE TRUSTEES OF THE UNIVERSITY OF PENNSYLVANIA; MALAMUD, DANIEL; LITT,) 7 August 1997 (1997-08-07) page 1, line 7 - page 23, line 25; figures 1-3	64-81
X	US 2003/074084 A1 (NAKAO NAOMI) 17 April 2003 (2003-04-17)	82-92, 95-109, 113,114, 117
Y	paragraph '0001! - paragraph '0053!; figures 1-7	93,94
X	US 5 005 591 A (AUSTAD ET AL) 9 April 1991 (1991-04-09)	82,83
Y	column 4, line 18 - line 55; figure 6	93,94
X	WO 2004/066812 A (GEDEBOU, TEWODROS) 12 August 2004 (2004-08-12) page 8, line 16 - line 21	95-109
X	US 5 376 117 A (PINCHUK ET AL) 27 December 1994 (1994-12-27)	110-112
Y	column 11, line 38 - line 43	93
X	WO 95/03752 A (PMT CORPORATION) 9 February 1995 (1995-02-09)	118-122
Y	page 1, paragraph 1 - page 13, paragraph 1; figures 1-5	94
A	WO 98/50100 A (CHILDREN'S MEDICAL CENTER CORPORATION) 12 November 1998 (1998-11-12) the whole document	1,62, 114,117
A	FR 2 615 397 A (MARSEILLE ASSISTANCE PUBLIQUE) 25 November 1988 (1988-11-25) the whole document	15-28

# INTERNATIONAL SEARCH REPORT

international application No.  
PCT/US2005/033664

## Box II Observations where certain claims were found unsearchable (Continuation of item 2 of first sheet)

This International Search Report has not been established in respect of certain claims under Article 17(2)(a) for the following reasons:

1.  Claims Nos.: 115,116  
because they relate to subject matter not required to be searched by this Authority, namely:  
Rule 39.1(iv) PCT - Method for treatment of the human or animal body by surgery
2.  Claims Nos.:  
because they relate to parts of the International Application that do not comply with the prescribed requirements to such an extent that no meaningful International Search can be carried out, specifically:
3.  Claims Nos.:  
because they are dependent claims and are not drafted in accordance with the second and third sentences of Rule 6.4(a).

## Box III Observations where unity of invention is lacking (Continuation of item 3 of first sheet)

This International Searching Authority found multiple inventions in this international application, as follows:

see additional sheet

1.  As all required additional search fees were timely paid by the applicant, this International Search Report covers all searchable claims.
2.  As all searchable claims could be searched without effort justifying an additional fee, this Authority did not invite payment of any additional fee.
3.  As only some of the required additional search fees were timely paid by the applicant, this International Search Report covers only those claims for which fees were paid, specifically claims Nos.:
4.  No required additional search fees were timely paid by the applicant. Consequently, this International Search Report is restricted to the invention first mentioned in the claims; it is covered by claims Nos.:

### Remark on Protest

- The additional search fees were accompanied by the applicant's protest.
- No protest accompanied the payment of additional search fees.

# INTERNATIONAL SEARCH REPORT

International Application No. PCT/US2005 /033664

FURTHER INFORMATION CONTINUED FROM PCT/ISA/ 210

This International Searching Authority found multiple (groups of) inventions in this international application, as follows:

1. claims: 1-63

A tissue expansion device comprising a gas source.  
---

2. claims: 64-81

A gas flow regulation mechanism for a tissue expansion device.  
---

3. claims: 82-94

A tissue expansion device comprising a fluid source, wherein said fluid source adapted to collect interstitial fluid.  
---

4. claims: 95-109

An external control device for an tissue expansion device.  
---

5. claims: 110-112

A method of applying an antimicrobial agent to a tissue expansion device.  
---

6. claims: 113,114,117

A system for determining a desirable tissue expansion program of a tissue expansion device.  
---

7. claims: 118-122

A method of providing a plurality of protrusions on a surface of a tissue expansion device.  
---

# INTERNATIONAL SEARCH REPORT

Information on patent family members

International application No  
PCT/US2005/033664

Patent document cited in search report	A	Publication date	Patent family member(s)	Publication date
US 4550720	A	05-11-1985	NONE	
WO 0147441	A	05-07-2001	AT 296071 T AU 3258601 A DE 60111019 D1 EP 1255513 A2	15-06-2005 09-07-2001 30-06-2005 13-11-2002
WO 9727829	A	07-08-1997	AU 2260397 A	22-08-1997
US 2003074084	A1	17-04-2003	NONE	
US 5005591	A	09-04-1991	NONE	
WO 2004066812	A	12-08-2004	AU 2004207497 A1 CA 2514388 A1 EP 1590032 A2 US 2005126580 A1 US 2005149098 A1 US 2005126581 A1 US 2004147953 A1	12-08-2004 12-08-2004 02-11-2005 16-06-2005 07-07-2005 16-06-2005 29-07-2004
US 5376117	A	27-12-1994	NONE	
WO 9503752	A	09-02-1995	EP 0661956 A1 JP 8506508 T US 5525275 A	12-07-1995 16-07-1996 11-06-1996
WO 9850100	A	12-11-1998	AT 271402 T AU 7278098 A CA 2289038 A1 DE 69825160 D1 DE 69825160 T2 EP 0986415 A1 JP 2001524009 T	15-08-2004 27-11-1998 12-11-1998 26-08-2004 24-03-2005 22-03-2000 27-11-2001
FR 2615397	A	25-11-1988	NONE	