

(19) World Intellectual Property Organization  
International Bureau



(43) International Publication Date  
28 February 2002 (28.02.2002)

PCT

(10) International Publication Number  
WO 02/017677 A3

(51) International Patent Classification<sup>7</sup>: H04R 19/00

[DE/DE]; Am Sommerberg 6, 78166 Donaueschingen (DE). SKVOR, Zdenek [CZ/CZ]; Na Struze 6, 110 00 Prag (CZ).

(21) International Application Number: PCT/EP01/09766

(22) International Filing Date: 23 August 2001 (23.08.2001)

(74) Agent: WÖRZ, Volker; Dreiss, Fuhlendorf, Steimle & Becker, Postfach 10 37 62, 70032 Stuttgart (DE).

(25) Filing Language: English

(81) Designated States (national): AE, AG, AL, AM, AT, AU, AZ, BA, BB, BG, BR, BY, BZ, CA, CH, CN, CO, CR, CU, CZ, DE, DK, DM, DZ, EC, EE, ES, FI, GB, GD, GE, GH, GM, HR, HU, ID, IL, IN, IS, JP, KE, KG, KP, KR, KZ, LC, LK, LR, LS, LT, LU, LV, MA, MD, MG, MK, MN, MW, MX, MZ, NO, NZ, PL, PT, RO, RU, SD, SE, SG, SI, SK, SL, TJ, TM, TR, TT, TZ, UA, UG, US, UZ, VN, YU, ZA, ZW.

(26) Publication Language: English

(30) Priority Data:  
00118349.0 24 August 2000 (24.08.2000) EP

(71) Applicant (for all designated States except US): FACH-HOCHSCHULE FURTWANGEN [DE/DE]; Gerwigstrasse 11, 78120 Furtwangen (DE).

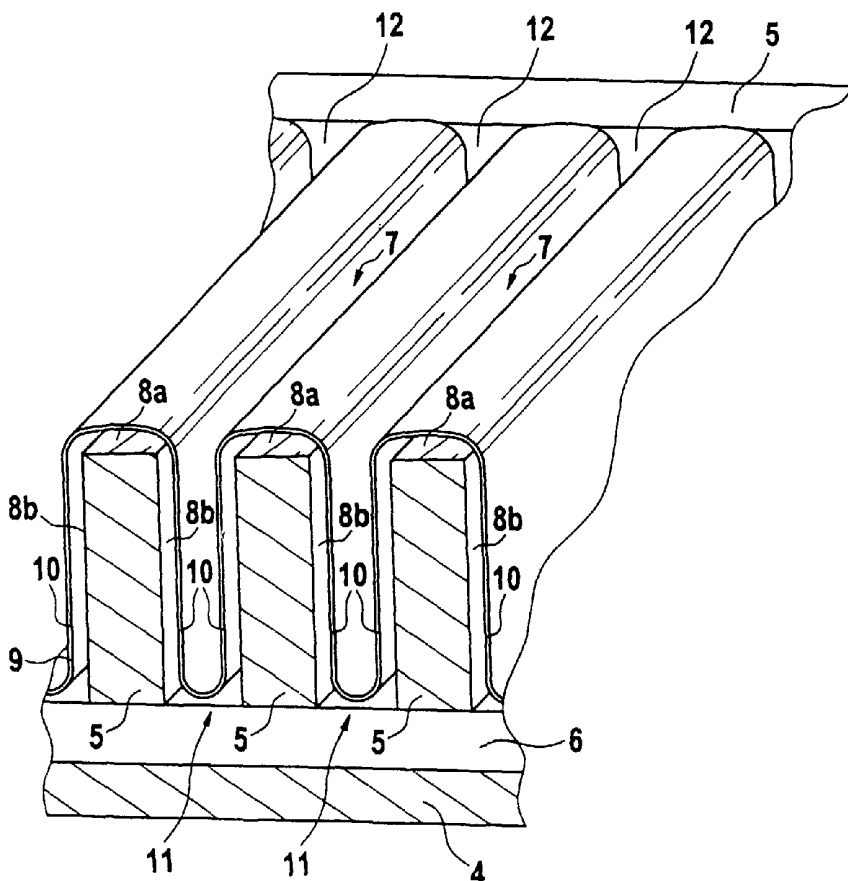
(84) Designated States (regional): ARIPO patent (GH, GM, KE, LS, MW, MZ, SD, SL, SZ, TZ, UG, ZW), Eurasian patent (AM, AZ, BY, KG, KZ, MD, RU, TJ, TM), European patent (AT, BE, CH, CY, DE, DK, ES, FI, FR, GB, GR, IE,

(72) Inventors; and

(75) Inventors/Applicants (for US only): STOFFEL, Axel

[Continued on next page]

(54) Title: ELECTROSTATIC ELECTROACOUSTICAL TRANSDUCER



(57) Abstract: The invention refers to an electrostatic electroacoustical transducer (1) comprising: an electrically conductive fixed electrode plate (5), having an active surface (8) with recesses (7); a conductive or semiconductive flexible diaphragm (9) disposed in a distance to the active surface (8) of the electrode plate (5) and within the recesses (7); and insulating means (10) disposed between the electrode plate (5) and the diaphragm (9).

WO 02/017677 A3



IT, LU, MC, NL, PT, SE, TR), OAPI patent (BF, BJ, CF, CG, CI, CM, GA, GN, GQ, GW, ML, MR, NE, SN, TD, TG).

**(88) Date of publication of the international search report:**  
26 September 2002

**Published:**

— *with international search report*

*For two-letter codes and other abbreviations, refer to the "Guidance Notes on Codes and Abbreviations" appearing at the beginning of each regular issue of the PCT Gazette.*

**INTERNATIONAL SEARCH REPORT**

International Application No  
PCT/EP 01/09766

<b>A. CLASSIFICATION OF SUBJECT MATTER</b> IPC 7 H04R19/00		
According to International Patent Classification (IPC) or to both national classification and IPC		
<b>B. FIELDS SEARCHED</b>		
Minimum documentation searched (classification system followed by classification symbols) IPC 7 H04R		
Documentation searched other than minimum documentation to the extent that such documents are included in the fields searched		
Electronic data base consulted during the international search (name of data base and, where practical, search terms used) EPO-Internal, WPI Data, PAJ		
<b>C. DOCUMENTS CONSIDERED TO BE RELEVANT</b>		
Category °	Citation of document, with indication, where appropriate, of the relevant passages	Relevant to claim No.
X	US 4 006 317 A (FREEMAN MILLER L) 1 February 1977 (1977-02-01)	1-8
A	column 2, line 35 -column 3, line 5 column 5, line 57 -column 7, line 19 column 7, line 40 -column 10, line 18 figures	9-11
A	--- WO 00 01194 A (AMERICAN TECH CORP) 6 January 2000 (2000-01-06) page 6, line 6 -page 9, line 24 figures	1-11
A	--- DE 199 00 969 A (FACHHOCHSCHULE FURTWANGEN) 19 August 1999 (1999-08-19) cited in the application column 3, line 61 -column 4, line 67 figures -----	1
<input type="checkbox"/> Further documents are listed in the continuation of box C. <span style="margin-left: 200px;"><input checked="" type="checkbox"/> Patent family members are listed in annex.</span>		
° Special categories of cited documents :		
*A* document defining the general state of the art which is not considered to be of particular relevance	*T* later document published after the international filing date or priority date and not in conflict with the application but cited to understand the principle or theory underlying the invention	
*E* earlier document but published on or after the international filing date	*X* document of particular relevance; the claimed invention cannot be considered novel or cannot be considered to involve an inventive step when the document is taken alone	
*L* document which may throw doubts on priority claim(s) or which is cited to establish the publication date of another citation or other special reason (as specified)	*Y* document of particular relevance; the claimed invention cannot be considered to involve an inventive step when the document is combined with one or more other such documents, such combination being obvious to a person skilled in the art.	
*O* document referring to an oral disclosure, use, exhibition or other means	*&* document member of the same patent family	
*P* document published prior to the international filing date but later than the priority date claimed		
Date of the actual completion of the international search	Date of mailing of the international search report	
4 July 2002	10/07/2002	
Name and mailing address of the ISA European Patent Office, P.B. 5618 Patenlaan 2 NL - 2280 HV Rijswijk Tel. (+31-70) 340-2040, Tx. 31 651 epo nl, Fax: (+31-70) 340-3016	Authorized officer  Psatha, H	

# INTERNATIONAL SEARCH REPORT

Information on patent family members

International Application No

PCT/EP 01/09766

Patent document cited in search report		Publication date	Patent family member(s)	Publication date
US 4006317	A	01-02-1977	NONE	
WO 0001194	A	06-01-2000	US 6175636 B1 WO 0001194 A2	16-01-2001 06-01-2000
DE 19900969	A	19-08-1999	US 6249586 B1 DE 19900969 A1	19-06-2001 19-08-1999